

# RANS

4600 Highway 183 Alternate  
 Hays, KS 67601  
 (785) 625-6346  
 Fax (785) 625-2795  
 www.rans.com

**Airworthiness Directive: 132**

**Date: December 13, 2004**

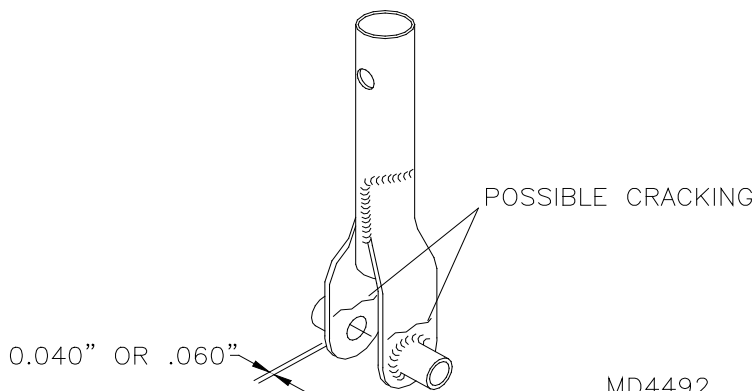
**Subject: Control Stick Connector**

**Compliance: Mandatory**

**Models Effected: All S-4/5 Coyote I, S-9 Chaos and S-10 Sakota**

During a routine inspection the owner of an early model S-9 found the presence of cracks in the control stick connector. See figure #1.

Prior to the next flight, inspect for thickness of side plates and presence of cracks on control stick connector. See figure #1. Cracks may develop above the bolt pivot bushings in the control stick connect tube and other areas. Early model control stick connectors were produced using .040" thick 4130 steel and later upgraded to .060" 4130 steel. It is mandatory to replace the .040" control stick connectors with the .060" types. Please state pivot bolt diameter when ordering a replacement part. Thank you for your attention to this matter.



MD4492

REPLACE .040" UNITS WITH .060" UNIT