

05 – FUSELAGE – CENTER SECTION

FUSELAGE - CARRY-THRU - ASSEMBLY #1	05-01 - 05-02
FUSELAGE - CARRY-THRU - ASSEMBLY #2	05-03 - 05-04
FUSELAGE - CARRY-THRU - ASSEMBLY #3	05-05 - 05-06
FUSELAGE - CARRY-THRU - ASSEMBLY #4	05-07 - 05-08
FUSELAGE - CENTER SECTION - RIB ASSEMBLY	05A-01 - 05A-02
FUSELAGE - CENTER SECTION - RIB INSTALLATION	05A-03 - 05A-04
FUSELAGE - CENTER SECTION - BELLY SKIN ASSEMBLY #1	05B-01 - 05B-02
FUSELAGE - CENTER SECTION - BELLY SKIN ASSEMBLY #2	05B-03 - 05B-04
FUSELAGE - CENTER SECTION - SIDE ASSEMBLY #1	05C-01 - 05C-02
FUSELAGE - CENTER SECTION - SIDE ASSEMBLY #2	05C-03 - 05C-04
FUSELAGE - CENTER SECTION - SIDE ASSEMBLY #3	05C-05 - 05C-06
FUSELAGE - CENTER SECTION - SIDE ASSEMBLY #4	05C-07 - 05C-08
FUSELAGE - CENTER SECTION - SIDE ASSEMBLY #5	05C-09 - 05C-10
FUSELAGE - CENTER SECTION - SIDE ASSEMBLY #6	05C-11 - 05C-12
FUSELAGE - CENTER SECTION - SIDE ASSEMBLY #7	05C-13 - 05C-14
FUSELAGE - CENTER SECTION - SIDE ASSEMBLY #8	05C-15 - 05C-16
FUSELAGE - CENTER SECTION - SIDE ASSEMBLY #9	05C-17 - 05C-18
FUSELAGE - CENTER SECTION - GEAR BLOCK INSTALLATION	05D-01 - 05D-02
SEAT AREA SKIN INSTALLATION	05E-01 - 05E-02
SEAT RAMP SKIN INSTALLATION	05E-03 - 05E-04
CENTRAL ACCESS PANEL INSTALLATION	05E-05 - 05E-06
BAGGAGE DECK INSTALLATION	05F-01 - 05F-02

S-19 FUSELAGE - QUICK BUILD

Listing of Parts, by PAGE, to be installed by builder

PAGE	TITLE		
ITEM #	DESCRIPTION	PART NUMBER	QUANTITY
05-02	RANS S-19 VENTERRA - Fuselage - Carry-Thru - Assembly #1		
# 13	S-19 Assembly Manual on CD - Fuselage	S-19 Assembly Manual	1
05-06	RANS S-19 VENTERRA - Fuselage - Carry-Thru - Assembly #3		
# 1	3/8" Bolt - Close Tolerance	NAS6606-30	8
# 2	3/8" Thick Washer	AN960-616	12
# 3	3/8" Tensile Nut	AN365-624A	12
# 4	3/8" Bolt - Close Tolerance	NAS6606-33	4
05A-04	RANS S-19 VENTERRA - Fuselage - Center Section - Rib Installation		
# 14	#8 Pan Head Screw	8X1/2 PHS	16
# 15	Fair Leads *	KPRD0086	1
# 16	Tinnerman	A1789-8Z-1	16
05E-02	RANS S-19 VENTERRA - Seat Area Skin Installation		
# 2	1/8" Aluminum Rivet - Avex	1691-0410	152
05E-04	RANS S-19 VENTERRA - Seat Ramp Skin Installation		
# 1	#8 Trusshead Screw	AN526-832R6	24
# 2	Access Panel	KPFU0445	4
# 3	Access Panel	KPFU0444	2
05E-06	RANS S-19 VENTERRA - Central Access Panel Installation		
# 1	#8 Trusshead Screw	AN526-832R6	9
# 2	Access Panel	KPFU0603	1
# 3	3/32" Aluminum Rivet	40APR1/8	14
# 4	1/8" Aluminum Rivet - Cherry Q	AAPQ-42	2
# 5	#8 Nut Plate	MS21047-08	7
# 6	Access Panel Attach Angle	KPFU0604	1
# 7	1/8" Aluminum Rivet - Avex	1691-0410	4
# 8	Access Panel Attach	KPFU0605	1
05F-02	RANS S-19 VENTERRA - Baggage Deck Installation		
# 1	#8 Trusshead Screw	AN526-832R6	30
# 2	Access Panel - Baggage Deck	KPFU0602	3
# 3	3/32" Aluminum Rivet	40APR1/8	60

PAGE	TITLE		
ITEM #	DESCRIPTION	PART NUMBER	QUANTITY
# 4	1/8" Aluminum Rivet - Avex	1691-0410	170
# 6	#8 Single-Ear Nut Plate	MS21051-08	12
# 7	#8 Nut Plate	MS21047-08	12
06-02	RANS S-19 VENTERRA - Upper FWD Fuselage Assembly #1		
# 1	3/32" Aluminum Rivet	40APR1/8	46
# 2	#8 Single-Ear Nut Plate	MS21051-08	2
# 3	#8 Nut Plate	MS21047-08	21
# 4	1/8" Aluminum Rivet - Cherry Q	AAPQ-42	6
# 8	Throttle Reinforcement	KPIP0121	1
# 11	3/16" Rubber Grommet	KSAC0002	23
# 12	Instrument Panel - Standard Blank	KPIP0094	1
# 13	#8 Pan Head Machine Screw	MS27039-0809	23
06-10	RANS S-19 VENTERRA - Upper FWD Fuselage Assembly #5		
# 1	1/8" Aluminum Rivet - Cherry Q	AAPQ-42	6
# 2	1/8" Aluminum Rivet - Cherry Q	AAPQ-41	6
# 4	Radio Support Channel	KPIP0102	3
# 5	1/4" Thin Washer	AN960-416L	9
# 6	Rubber Bumper	9K13-DRBUMP	9
06C-02	RANS S-19 VENTERRA - Floorboard Installation #1		
# 1	Floorboard Inspection Panel	KPFU0638	1
# 2	#8 Trusshead Screw	AN526-832R6	9
06D-02	RANS S-19 VENTERRA - Rudder Pedal/Brake Installation #1		
# 1	3/16" Bolt	AN3-20A	8
# 2	Plate - Bearing Block *	KPRD0077	1
# 3	Bearing Block - Rudder Pedal	KPCS0243	8
# 4	1/8" Aluminum Rivet - Cherry Q	AAPQ-42	2
# 5	Rudder Pedal Assembly	KACS0033	2
# 7	Pulley	AN210-3A	2
# 8	Cable Keeper *	KPCS0257	1
# 9	3/16" Bolt	AN3-10A	2
# 10	3/16" Thin Washer	AN960-10L	4
# 11	3/16" Shear Nut	AN364-1032A	2
# 12	Pulley Attach Bracket - LH	KPRD0084-L	2
# 12	Pulley Attach Bracket - RH	KPRD0084-R	2
# 13	Channel - Pulley Attach	KPRD0083	1
# 14	Spacer - Pulley Attach	KPRD0085	1
# 15	1/8" Stainless Steel Rivet - Cherry Q	CCPQ-43	8

PAGE	TITLE		
ITEM #	DESCRIPTION	PART NUMBER	QUANTITY
# 16	1/8" Aluminum Rivet - Cherry Q	AAPQ-43	8
# 17	Rudder Pedal - LH	KPRD0088-L	2
# 17	Rudder Pedal - RH	KPRD0088-R	2
# 18	Rudder Pedal Pin	KPRD0043	4
# 20	Cotter Pin - Large	MS24665-285	4
06D-04	RANS S-19 VENTERRA - Rudder Pedal/Brake Installation #2		
# 1	3/16" Thin Washer	AN960-10L	34
# 2	3/16" Thick Washer	AN960-10	20
# 3	3/16" Bolt	AN3-6	8
# 4	3/16" Castle Nut	AN310-3	14
# 5	Cotter Pin - Small	MS24665-134	14
# 6	Brake Cylinder (+2 Opt. Dual Brakes)	KSBS0031	2
# 7	3/16" Bolt	AN3-10	4
# 8	#8 Pan Head Machine Screw	MS27039-0809	8
# 9	Mount Bracket	KPAC0221	4
# 10	#8 Brass Washer	AN960-B8	8
# 11	8-32 Shear Nut	AN364-832A	8
# 12	3/16" Eye Bolt	AN42B-4	2
# 13	Rudder Return Spring	KSRD0001	2
# 14	Multi-Hole Tang	ST-16-FLAT	2
# 16	Hydraulic Brake Line (30 ft. Opt. Dual Brakes)	KSBS0019	26 ft.
# 17	Nylon Tie	N-TIES	2
# 18	90-Degree Fitting (+4 Opt. Dual Brakes)	KSBS0017	5
# 19	Brake Reservoir Shim	KPBS0037	1
# 20	Brake Reservoir	KSBS0034	1
# 21	3/16" Bolt	AN3-4A	2
# 22	3/16" Shear Nut	AN364-1032A	2
# 23	1/4" Rubber Grommet	MS35489-6	7
# 24	Tee Fitting	KSBS0021	1
# 26	Clevis - Brake Cylinder (+2 Opt. Dual Brakes)	KSBS0039	2
06H-06	RANS S-19 VENTERRA - Roll Bar Installation #3		
# 1	Roll Bar	KAFU0050	1
# 2	1/8" Stainless Steel Rivet - Cherry Q	CCPQ-42	6
06H-08	RANS S-19 VENTERRA - Roll Bar Installation #4		
# 1	1/4" Bolt	AN4-13A	1
# 2	3/16" Thin Washer	AN960-10L	2
# 3	3/16" Tensile Nut	AN365-1032A	2
# 4	3/16" Bolt	AN3-5A	2
# 5	Roll Bar Brace	KPFU0628	1

PAGE	TITLE		
ITEM #	DESCRIPTION	PART NUMBER	QUANTITY
# 6	1/4" Thick Washer	AN960-416	2
# 7	1/4" Thin Washer	AN960-416L	2
# 8	1/4" Shear Nut	AN364-428A	1
# 9	1/8" Aluminum Rivet - Cherry Q	AAPQ-44	1
07-04	RANS S-19 VENTERRA - Tailcone Assembly #1		
# 11	1/8" Stainless Steel Rivet - Cherry Q	CCPQ-41	4
07-08	RANS S-19 VENTERRA - Tailcone Assembly #3		
# 1	Antenna Plate - Comm	KPAV0027	1
# 7	1/8" Aluminum Rivet - Cherry Q	AAPQ-41	7
07B-02	RANS S-19 VENTERRA - Tailcone Inspection Plates Installation		
# 4	Access Panel	KPFU0490	1
# 7	Access Panel - Cover Plate	KPAC0114	1
# 8	#8 Trusshead Screw	AN526-832R6	10
07E-02	RANS S-19 VENTERRA - Foot Step Installation		
# 1	3/16" Bolt	AN3-5A	8
# 2	3/16" Thick Washer	AN960-10	8
# 3	3/16" Thin Washer	AN960-10L	8
# 4	Foot Step - LH	KPFU0477-L	1
# 4	Foot Step - RH	KPFU0477-R	1
# 5	Patch - Foot Step	KPFU0516	2
# 6	1/8" Aluminum Rivet - Cherry Q	AAPQ-41	8
# 7	1/8" Aluminum Rivet - Cherry Q	AAPQ-42	16
# 8	Foot Step Fairing - LH	KPFU0479-L	1
# 8	Foot Step Fairing - RH	KPFU0479-R	1
# 9	3/32" Aluminum Rivet	40APR1/8	10
# 10	Rubber Trim	8510K11	16 in.
07J-14	RANS S-19 VENTERRA - Tailcone to Center Section Installation #7		
# 1	1/8" Aluminum Rivet - Cherry Q	AAPQ-42	8
# 2	1/8" Aluminum Rivet - Cherry Q	AAPQ-41	4
# 3	Antenna Plate - Transponder	KPAV0028	1
07K-02	RANS S-19 VENTERRA - Tailcone Stinger Installation		
# 1	Tailcone Stinger - Upper	KPFU0645	1
# 2	Tailcone Stinger - Lower	KPFU0646	1
# 3	Tinnerman	A1789-8Z-1	15
# 4	#8 Pan Head Screw	8X1/2 PHS	15

PAGE	TITLE		
ITEM #	DESCRIPTION	PART NUMBER	QUANTITY
# 5	#4 Pan Head Screw	4X1/4 PHS	4
# 6	Tailcone Stinger - Stiffener Angle	KPFU0647	2
# 7	Bulkhead - Tailcone Stinger	KPFU0654	1
# 8	3/32" Aluminum Rivet	40APR1/8	4
08-02	RANS S-19 VENTERRA - Control Stick Assembly		
# 6	1/4" Thick Washer	AN960-416	11
# 7	1/4" Tensile Nut	AN365-428A	2
# 9	1/4" Thin Washer	AN960-416L	6
# 10	7/8" End Cap	CS-EC	1
# 11	Control Stick Grip	CS-G	1
# 12	Control Stick	KPCS0234	2
# 13	Cotter Pin - Small	MS24665-134	6
# 14	1/4" Castle Nut	AN310-4	6
# 15	1/4" Bolt	AN4-20	2
# 16	1/4" Bolt	AN4-15	2
# 17	1/4" Plain Bolt	1/4 X 1 BOLT	4
# 18	1/4" Plain Nut	AN345-416	10
# 19	1/4" Bolt	AN4-7	1
# 20	Male Rod End	NM-4	6
# 21	1/8" Stainless Steel Rivet - Cherry Q	CCPQ-43	12
# 22	FWD Push-Pull Tube - Stabilator	KPCS0236	1
# 24	1/4" Bolt	AN4-11A	2
# 25	3/16" Large Washer *	AN970-3	2
# 26	Control Stick Interconnect Push Rod	KPCS0246	1
# 27	Control Stick Torque Tube	KPCS0233	1
# 28	Rod End	KSHW0070	2
# 29	5/16" Plain Nut	AN345-516	2
# 32	20 Gauge, White Wire	KSES0021	36 ft.
# 33	Push-Pull Tube End Fitting	KPCS0016	2
# 34	MAC Control Stick Grip	KSCS0016	1
# 36	5-Wire Bundle - 26 Gauge, White Wire	KSES0022	24 ft.
# 37	3/16" Tensile Nut	AN365-1032A	1
# 38	3/16" Thick Washer	AN960-10	3
# 39	3/16" Eyebolt	AN42B-12A	1
# 40	Stabilator Down Bungee	KPCS0259	1
# 41	Attach Tang	ST-16-BENT	1
# 42	Hose Clamp - 1 1/4"	5-5212	2
# 43	Bearing	SR4APP	4
08-04	RANS S-19 VENTERRA - Aft Stabilator Push-Pull Tube Installation		
# 1	1/8" Stainless Steel Rivet - Cherry Q	CCPQ-42	12

PAGE	TITLE	PART NUMBER	QUANTITY
ITEM #	DESCRIPTION		
# 2	Bearing Flange	BR-FLNG	2
# 3	Bearing	SR4APP	2
# 4	Bellcrank - Stabilator	KPCS0237	2
# 5	1/4" Shear Nut	AN364-428A	4
# 6	1/4" Thick Washer	AN960-416	12
# 7	1/4" Thin Washer	AN960-416L	4
# 8	1/4" Bolt	AN4-10A	2
# 9	Male Rod End	NM-4	2
# 10	1/4" Plain Nut	AN345-416	2
# 11	Push-Pull Tube End Fitting	KPCS0240	2
# 12	AFT Push-Pull Tube - Stabilator	KPCS0241	1
# 16	1/8" Stainless Steel Rivet - Cherry Q	CCPQ-43	12
# 17	1/4" Bolt	AN4-16A	1
# 18	1/4" Bolt	AN4-54A	1
# 22	Pulley	AN210-3A	2
08A-02	RANS S-19 VENTERRA - Fuel Shut-Off Valve Installation		
# 1	Fuel Shut - Off Valve	KSFS0030	1
# 2	Truss Head Machine Screw	KSHW0082	2
# 3	Fuel Selector Sub-Panel	KPIP0098	1
# 4	Spacer Bushing	KPAC0211	2
# 5	3/16" Thin Washer	AN960-10L	2
# 6	3/16" Shear Nut	AN364-1032A	2
# 8	1/8" Stainless Steel Rivet - Cherry Q	CCPQ-42	4
# 9	3/8" Hose Fitting	MS30682-6-6	1
# 10	Nut - Flared Tube - Bulkhead	AN924-6D	1
# 11	Union - Flared Tube - Bulkhead	AN832-6D	1
# 12	90-Degree Fitting	AN822-6D	3
# 13	Hose Clamp - 7/8"	5-6203	4
# 14	3/8" Fuel Line	27004	17 ft.
# 15	90-Degree Hose Fitting	MS33982-6-6	2
# 16	9/16" Thick Washer	AN960-916	2
# 17	Fuel Selector Panel Support	KPFU0649	1
# 18	Support Attach	KPFU0650	1
# 19	Fuel Hose Support Bracket	KPFU0651	1
# 20	Serrated Grommet Strip	KSAC0023	8 in.
# 21	45-Degree Fuel Fitting	MS33782-6-6	1
# 22	1/8" Aluminum Rivet - Cherry Q	AAPQ-42	12
08B-02	RANS S-19 VENTERRA - Flap Mechanism Installation		
# 1	3/16" Shear Nut	AN364-1032A	2
# 2	3/16" Thick Washer	AN960-10	7

PAGE	TITLE	PART NUMBER	QUANTITY
ITEM #	DESCRIPTION		
# 3	Flap Guide Plate	KPFL0128	2
# 4	3/16" Bolt	AN3-15A	2
# 5	1/4" Thick Washer	AN960-416	3
# 6	1/4" Bolt	AN4-16A	1
# 7	3/16" Bolt	AN3-4A	5
# 8	1/4" Shear Nut	AN364-428A	1
# 9	Weldment - Flap Mechanism	KPFL0131	1
# 10	Hummertang *	T12-HT6	2

08B-04 RANS S-19 VENTERRA - Flap Torque Tube Installation #1

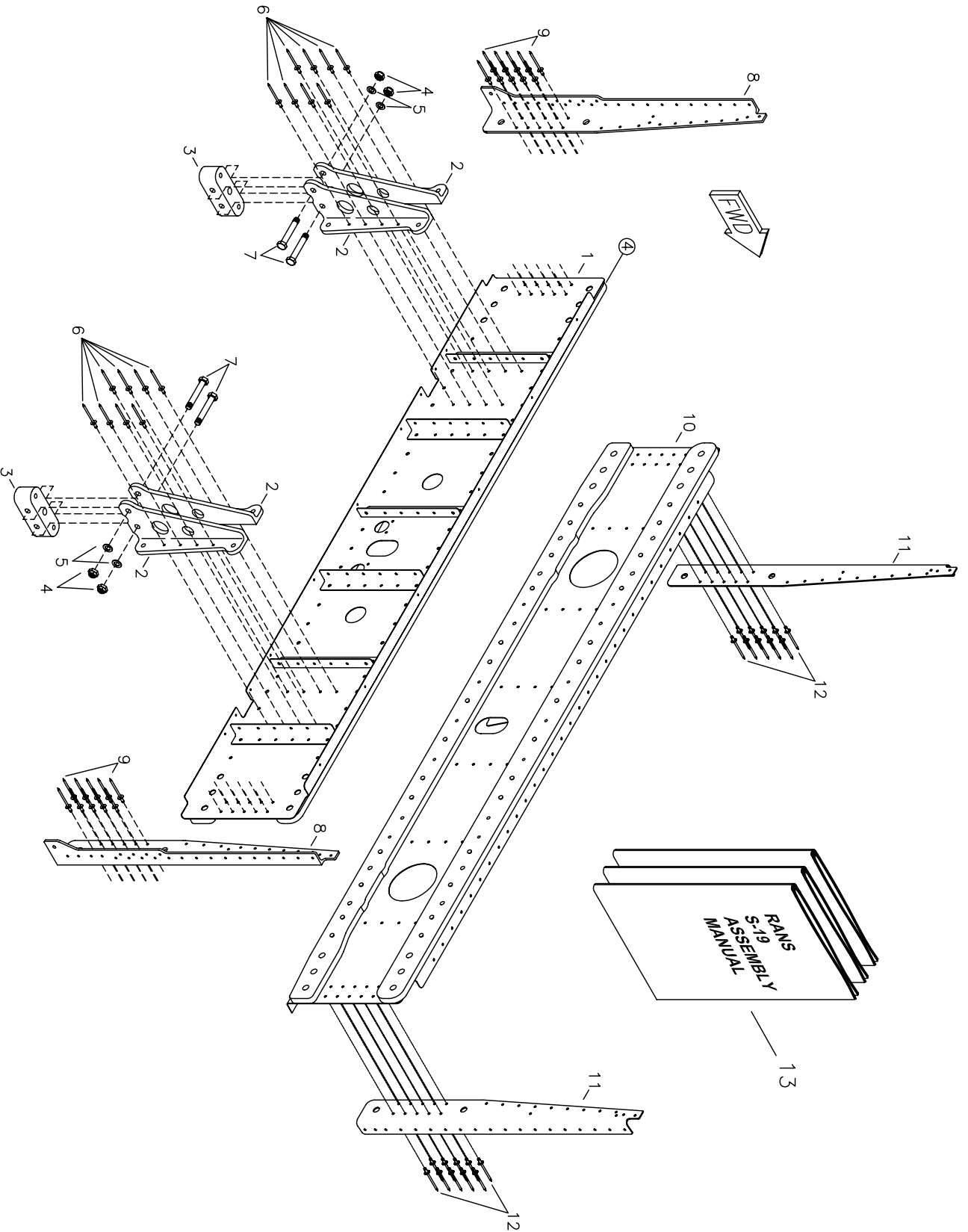
# 1	Flap Torque Tube	KPFL0126	1
# 2	3/16" Bolt	AN3-27A	2
# 3	Plate - Bearing Block *	KPFL0139	1
# 4	Bearing Block - Flap	KPFL0136	2
# 5	Bearing Block - Flap	KPFL0135	2
# 6	3/16" Bolt	AN3-23A	2
# 7	3/16" Bolt	AN3-15A	1
# 8	3/16" Thin Washer	AN960-10L	2
# 9	Roller Bushing	KPCS0171	2
# 10	Spacer Bushing	KPCS0172	1
# 11	3/16" Shear Acorn Nut	22NKM02	2
# 12	Spring	C-21	1
# 13	3/4" Endcap	3/4 ENDCAP	2
# 14	Flap Release Tube	KPFL0130	1
# 15	Bearing Block - Flap	KPFL0137	2
# 16	3/16" Thick Washer	AN960-10	7
# 17	3/16" Tensile Nut	AN365-1032A	4
# 18	3/16" Single-Ear Floating Nut Plate	KSHW0086	2
# 19	3/32" Aluminum Rivet	40APR1/4	4
# 20	Spacer Bushing	KPCS0169	1
# 21	3/16" Bolt	AN3-26A	2
# 27	Flap Release Tube	KPFL0144	1
# 28	Flap Release Tube	KPFL0145	1

08B-06 RANS S-19 VENTERRA - Flap Torque Tube Installation #2

# 1	1/4" Shear Nut	AN364-428A	2
# 2	1/4" Bolt	AN4-10A	2
# 3	1/4" Thick Washer	AN960-416	6
# 4	Male Rod End	NM-4	4
# 5	Flap Push Rod	KPFL0134	2
# 7	1/4" Plain Nut	AN345-416	4
# 8	1/4" Bolt	AN4-12A	2

PAGE	TITLE		
ITEM #	DESCRIPTION	PART NUMBER	QUANTITY
# 9	1/4" Tensile Nut	AN365-428A	2
# 10	1/4" Thin Washer	AN960-416L	2
08C-02	RANS S-19 VENTERRA - Trim Servo Installation		
# 1	4-40 Shear Nut	AN364-440A	4
# 4	Mac Servo Kit	KSTR0001	1
# 5	#4 Lock Washer	AN935-B4	4
# 6	#4 Pan Head Machine Screw	MS35206-222	2
# 8	Trim Tab Push-Pull Tube - AFT	KPTR0062	1
# 9	3/16" Bolt	AN3-7	2
# 10	3/16" Thin Washer	AN960-10L	4
# 11	3/16" Castle Nut	AN310-3	2
# 12	Cotter Pin - Small	MS24665-134	2
# 13	3/16" Plain Nut	AN345-10	1
# 14	Trim Tab Push-Pull Tube - FWD	KPTR0061	1
# 15	#4 Pan Head Machine Screw	MS35206-218	2
# 16	3/16" Thick Washer	AN960-10	4
09-02	RANS S-19 VENTERRA - Main Gear Installation		
# 1	3/8" Tensile Nut	AN365-624A	2
# 2	3/8" Thick Washer	AN960-616	2
# 3	1/4" Tensile Nut	AN365-428A	4
# 4	1/4" Thick Washer	AN960-416	4
# 5	5/16" Bolt	AN5-23A	4
# 6	Shim - Gear Attach	KPMG0178	2
# 7	Landing Gear - LH	KPMG0181-L	1
# 7	Landing Gear - RH	KPMG0181-R	1
# 8	Clamp - Gear Attach - LH	KPMG0186-L	1
# 8	Clamp - Gear Attach - RH	KPMG0186-R	1
# 9	1/4" Bolt	AN4-30A	4
# 10	3/8" Bolt	AN6-31A	2
# 11	Bar - Gear Attach	KPMG0187	2
# 12	5/16" Thick Washer	AN960-516	4
# 13	5/16" Tensile Nut	AN365-524A	4
09A-02	RANS S-19 VENTERRA - Main Gear Wheel /Brake Installation		
# 1	1/4" Bolt	AN4-20A	8
# 2	1/4" Thick Washer	AN960-416	16
# 3	1/4" Tensile Nut	AN365-428A	8
# 4	5" Wheel / Hydraulic Brake Assembly	KSMG0021	2
# 9	Tire - 5"	KSMG0005	2
# 10	Tire Tube - 5"	KSMG0014	2

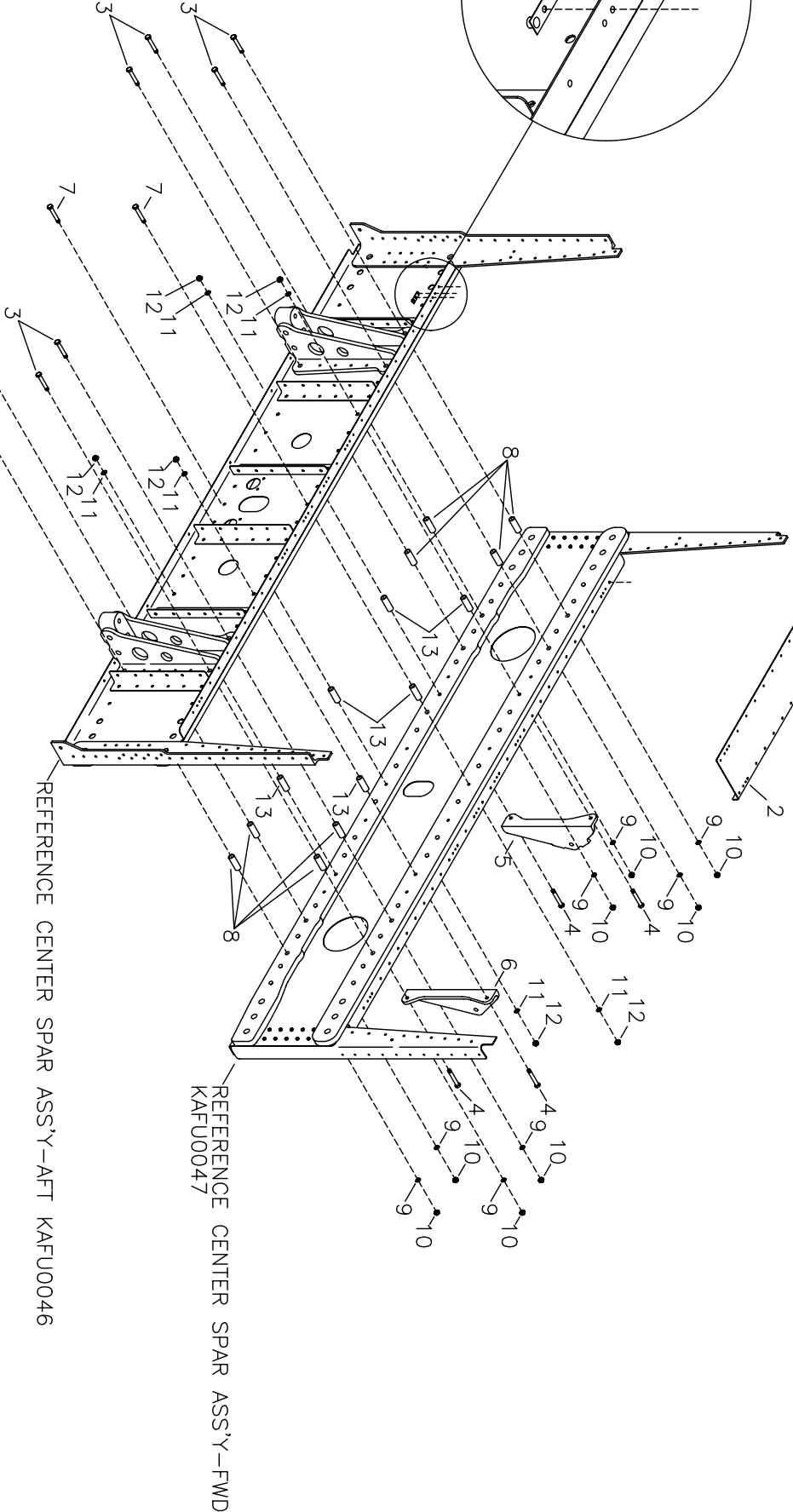
PAGE	TITLE		
ITEM #	DESCRIPTION	PART NUMBER	QUANTITY
# 11	Straight Fitting	KSBS0018	2
09B-02 RANS S-19 VENTERRA - Nose Gear Installation			
# 1	1/4" Bolt - Close Tolerance	NAS6604-23	1
# 2	1/4" Thin Washer	AN960-416L	2
# 3	1/4" Thick Washer	AN960-416	6
# 4	1/4" Tensile Nut	AN365-428A	6
# 5	Nose Gear	KPNG0090	1
# 6	Nose Gear Spacer Bushing **	KPNG0091	1
# 7	1/4" Bolt	AN4-32A	4
# 8	5/16" Sockethead Capscrews	KSHW0083	2
# 9	Nose Gear Fork Assembly	KANG0020	1
# 10	Axle - Nose Wheel	KPNG0083	1
# 11	Nose Wheel	KSNG0006	1
# 12	Tire - 5"	KSMG0005	1
# 13	Tire Tube - 5"	KSMG0014	1
# 14	Nose Gear Mount	KPPW0275	1
# 15	5/16" Bolt	AN5-21A	2
# 16	5/16" Thick Washer	AN960-516	8
# 17	5/16" Steel Tensile Nut	AN365-524C	2
# 18	Nose Gear Collar	KPNG0087	1
# 19	Nose Gear Axle Attach - Upper	KPNG0088	2
# 20	Nose Gear Axle Attach - Lower	KPNG0089	2
# 21	Cotter Pin - Large	MS24665-360	1
# 22	1 1/4" Washer	AN960-2016	1
# 23	Spring Washer	KSHW0084	2
# 24	1 1/4" Castle Nut	MS21025-20	1
# 25	Grease Fitting	11-151	1
# 27	1/4" Bolt - Close Tolerance	NAS6604-25	1
12A-02 RANS S-19 VENTERRA - Baggage Closeout Installation			
# 1	#8 Trusshead Screw	AN526-832R10	6
# 2	#8 Nut Plate	MS21047-08	6
# 4	3/32" Aluminum Rivet	40APR1/8	8
# 5	3/32" Aluminum Rivet	40APR1/4	4



R3F01088 S-19 VENTERRA
FUSELAGE - CARRY-THRU - ASSEMBLY #1

MD4776

#	DESCRIPTION	PART NUMBER	QUANTITY
1.	Center Spar Assembly - Aft	KAFU0046	1
2.	Gear Attach Angle - AFT - RH	KPMG0176-R	2
2.	Gear Attach Angle - AFT - LH	KPMG0176-L	2
3.	Block - Gear Attach	KPMG0177	2
4.	5/16" Tensile Nut	AN365-524A	4
5.	5/16" Thick Washer	AN960-516	4
6.	1/8" Stainless Steel Rivet - Cherry Q	CCPQ-45	16
7.	5/16" Bolt	AN5-20A	4
8.	Aft Angle - Center Spar - LH	KPFU0630-L	1
8.	Aft Angle - Center Spar - RH	KPFU0630-R	1
9.	1/8" Stainless Steel Rivet - Cherry Q	CCPQ-43	20
10.	Center Spar Assembly - Forward	KAFU0047	1
11.	Forward Angle - Center Spar - RH	KPFU0631-R	1
11.	Forward Angle - Center Spar - LH	KPFU0631-L	1
12.	1/8" Stainless Steel Rivet - Cherry Q	CCPQ-42	20
13.	S-19 Assembly Manual on CD - Fuselage	S-19 Assembly Manual	1



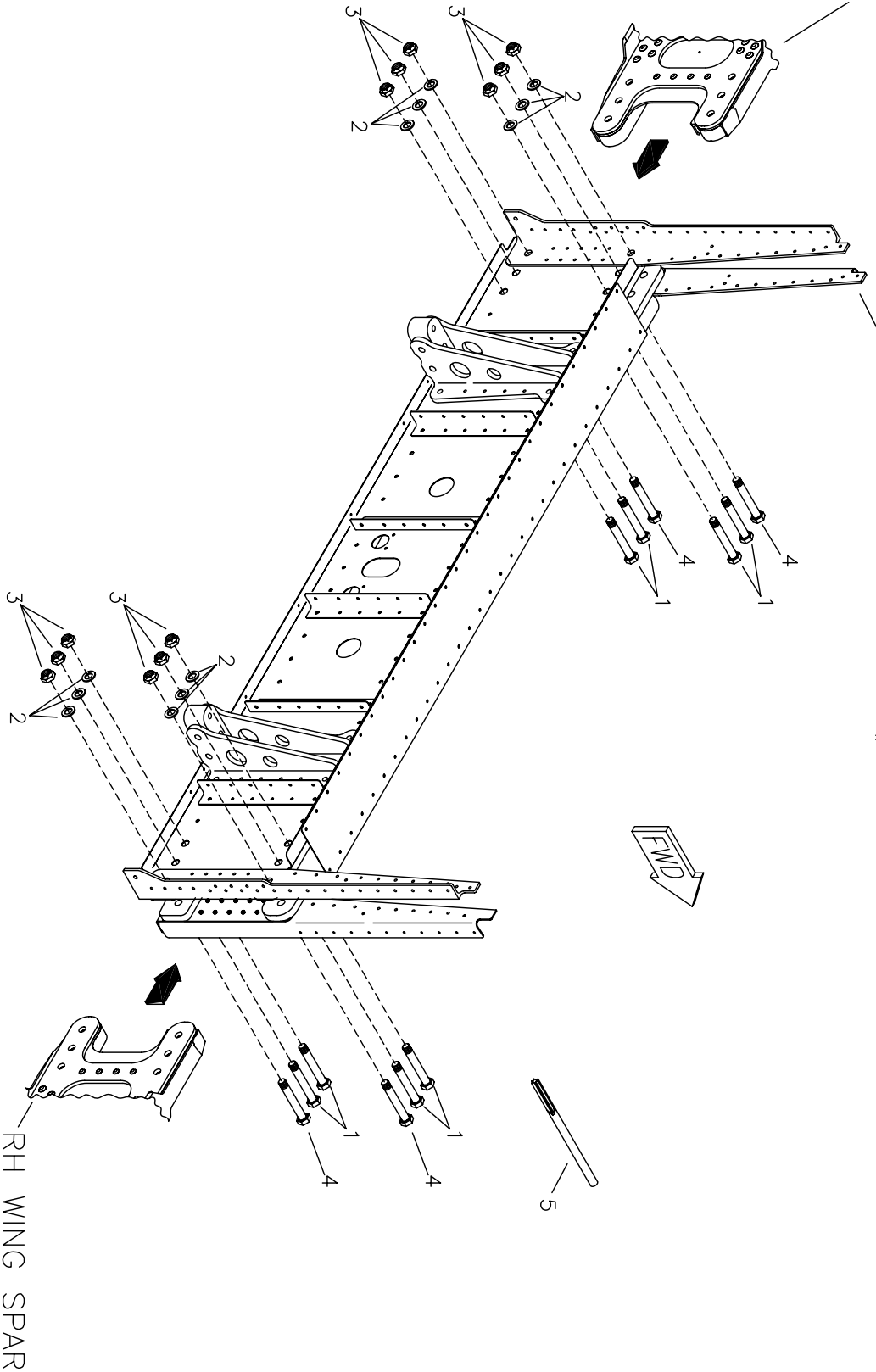
RRRINDOS S-19 VENTERRA
FUSELAGE - CARRY-THRU - ASSEMBLY #2

MD4776

#	DESCRIPTION	PART NUMBER	QUANTITY
1.	1/8" Aluminum Rivet - Cherry Q	AAPQ-42	60
2.	Top Plate	KPFU0411	1
3.	1/4" Bolt - Close Tolerance	NAS6604-34	8
4.	3/16" Bolt	AN3-23A	4
5.	Angle Torque Tube Attach - LH	KPCS0231	1
6.	Angle Torque Tube Attach - RH	KPCS0232	1
7.	3/16" Bolt	AN3-21A	2
8.	Spacer Bushing - Gear Attach	KPMG0179	8
9.	1/4" Thick Washer	AN960-416	8
10.	1/4" Tensile Nut	AN365-428A	8
11.	3/16" Thin Washer	AN960-10L	6
12.	3/16" Tensile Nut	AN365-1032A	6
13.	Bushing - Torque Tube Attach	KPCS0238	6
14.	3/32" Aluminum Rivet	40APR1/8	24
15.	3/16" Single-Ear Floating Nut Plate	KSHW0086	12

LH WING SPAR

REFERENCE FUSELAGE ASSEMBLY #2

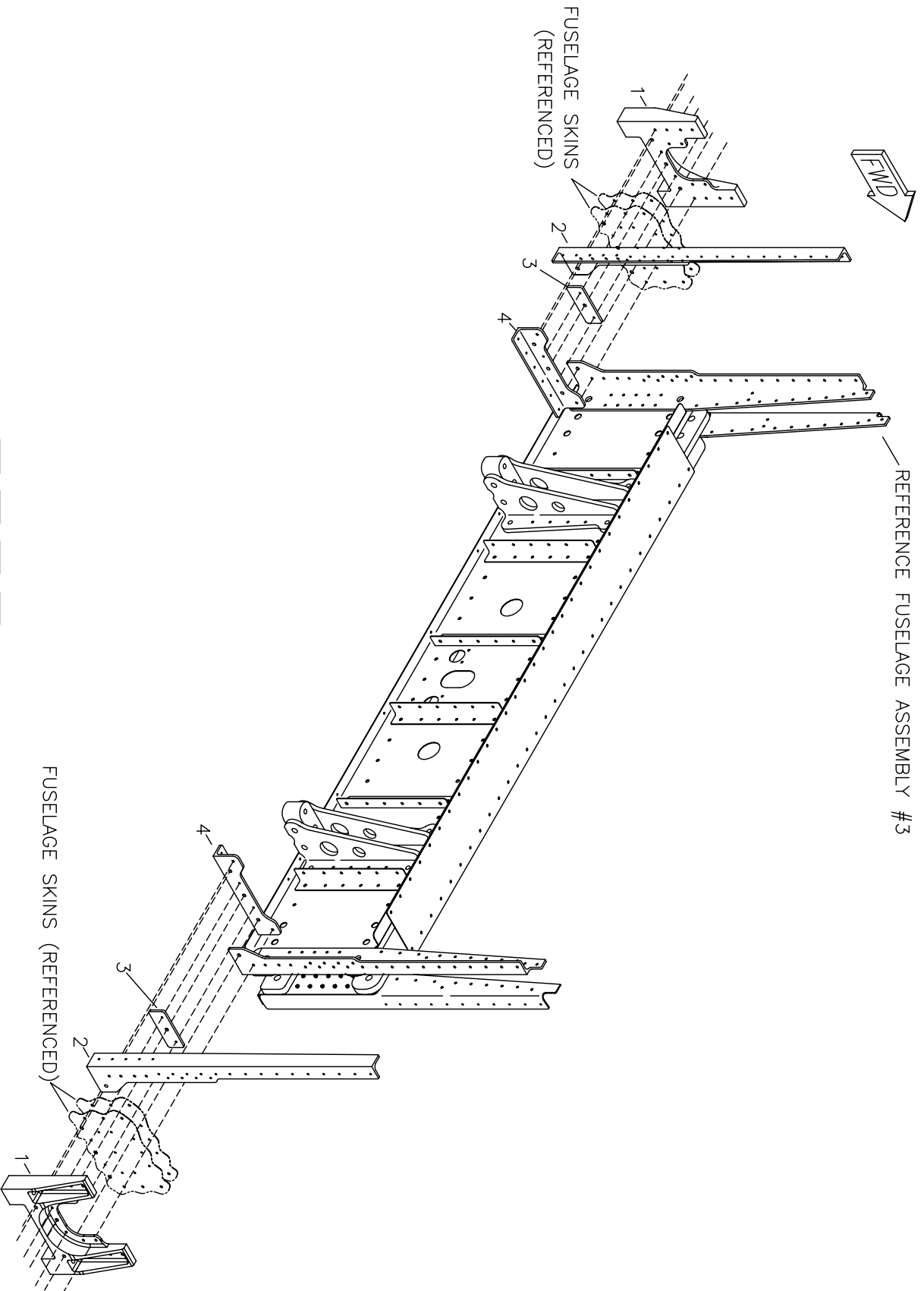


RRRINDOS S-19 VENTERRA
FUSELAGE - CARRY-THRU - ASSEMBLY #3

MD4776

#	DESCRIPTION	PART NUMBER	QUANTITY
1.	3/8" Bolt - Close Tolerance	NAS6606-30	8
2.	3/8" Thick Washer	AN960-616	12
3.	3/8" Tensile Nut	AN365-624A	12
4.	3/8" Bolt - Close Tolerance	NAS6606-33	4
5.	0.375" Reamer *	-----	0

* Builder supplied.



RRADN08 S-19 VENTERRA
FUSELAGE - CARRY-THRU - ASSEMBLY #4

MD4776

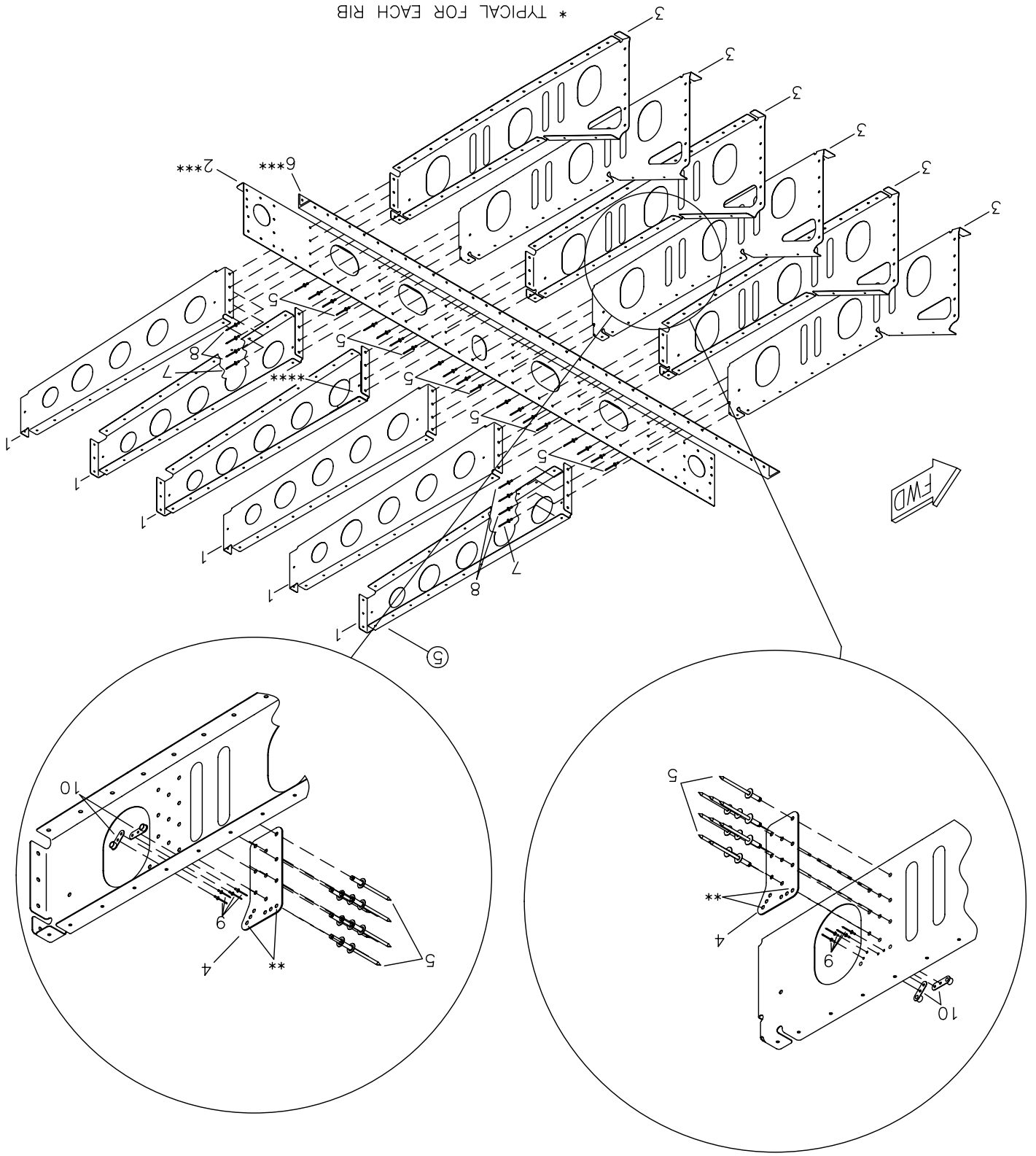
#	DESCRIPTION	PART NUMBER	QUANTITY
1.	Gear Block *	KPMG0201	0
2.	Angle - Gear Block Attach - LH	KPMG0185-L	1
2.	Angle - Gear Block Attach - RH	KPMG0185-R	1
3.	Shim	KPMG0184	2
4.	Angle - Gear Attach	KPMG0183	2

* Referenced from Gear Block Installation.

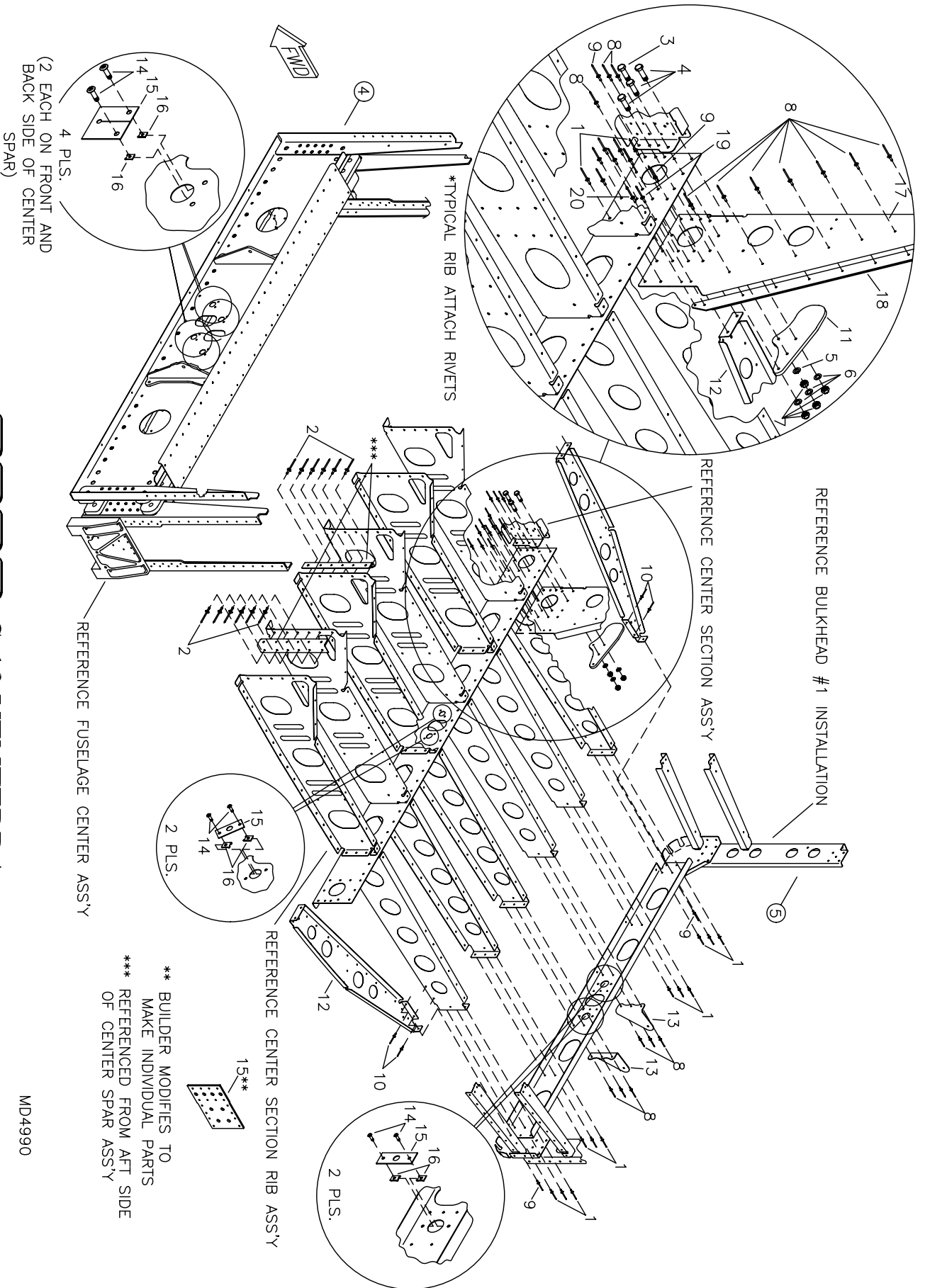
RRMS S-19 VENTURA CENTER SECTION - RIB ASSEMBLY

MD4989

* TYPICAL FOR EACH RIB
 ** DRILL THESE HOLES #11 FOR NUT PLATE
 *** FORMS REAR SPAR CARRY-THRU
 **** KPFL0138 - REFER TO FLAP TORQUE TUBE INSTALLATION



#	DESCRIPTION	PART NUMBER	QUANTITY
1.	Baggage Rib - RH	KPFU0414-R	3
1.	Baggage Rib - LH	KPFU0414-L	3
2.	Angle Rear Spar Bulkhead	KPFU0417	1
3.	Seat Rib - RH	KPST0105-R	3
3.	Seat Rib - LH	KPST0105-L	3
4.	Flap Mechanism Reinforcement Plate	KPFL0146	2
5.	1/8" Stainless Steel Rivet - Cherry Q	CCPQ-42	42
6.	Angle - Rear Spar Bulkhead	KPFU0409	1
7.	1/8" Stainless Steel Rivet - Cherry Q	CCPQ-43	6
8.	1/8" Stainless Steel Rivet - Cherry Q	CCPQ-41	18
9.	3/32" Aluminum Rivet	40APR1/4	8
10.	3/16" Single-Ear Nut Plate	MS21051-L3	4



R4400 S-19 VENTERRA
CENTER SECTION - RIB INSTALLATION

** BUILDER MODIFIES TO
 MAKE INDIVIDUAL PARTS
 *** REFERENCED FROM AFT SIDE
 OF CENTER SPAR ASS'Y

MD4990

#	DESCRIPTION	PART NUMBER	QUANTITY
1.	1/8" Stainless Steel Rivet - Cherry Q	CCPQ-41	28
2.	1/8" Aluminum Rivet - Cherry Q	AAPQ-41	36
3.	3/16" Bolt	AN3-5A	2
4.	3/16" Bolt	AN3-6A	6
5.	3/16" Thin Washer	AN960-10L	2
6.	3/16" Thick Washer	AN960-10	6
7.	3/16" Tensile Nut	AN365-1032A	8
8.	1/8" Stainless Steel Rivet - Cherry Q	CCPQ-42	22
9.	1/8" Stainless Steel Rivet - Cherry Q	CCPQ-43	6
10.	1/8" Aluminum Rivet - Cherry Q	AAPQ-42	4
11.	Rear Spar Attach Plate	KPFU0408	2
12.	Floor Stiffener - RH	KPFU0427-R	1
12.	Floor Stiffener - LH	KPFU0427-L	1
13.	Pulley Attach Bracket - LH	KPRD0080-L	1
13.	Pulley Attach Bracket - RH	KPRD0080-R	1
14.	#8 Pan Head Screw	8X1/2 PHS	16
15.	Fair Leads *	KPRD0086	1
16.	Tinnerman	A1789-8Z-1	16
17.	Rear Spar Bulkhead - RH	KPFU0425-R	1
17.	Rear Spar Bulkhead - LH	KPFU0425-L	1
18.	3/4" x 3/4" x .063" Aluminum Angle **	KAAC0044-12	0
19.	1/8" Stainless Steel Rivet - Cherry Q	CCPQ-45	2
20.	1/8" Stainless Steel Rivet - Cherry Q	CCPQ-44	2

* Builder modifies

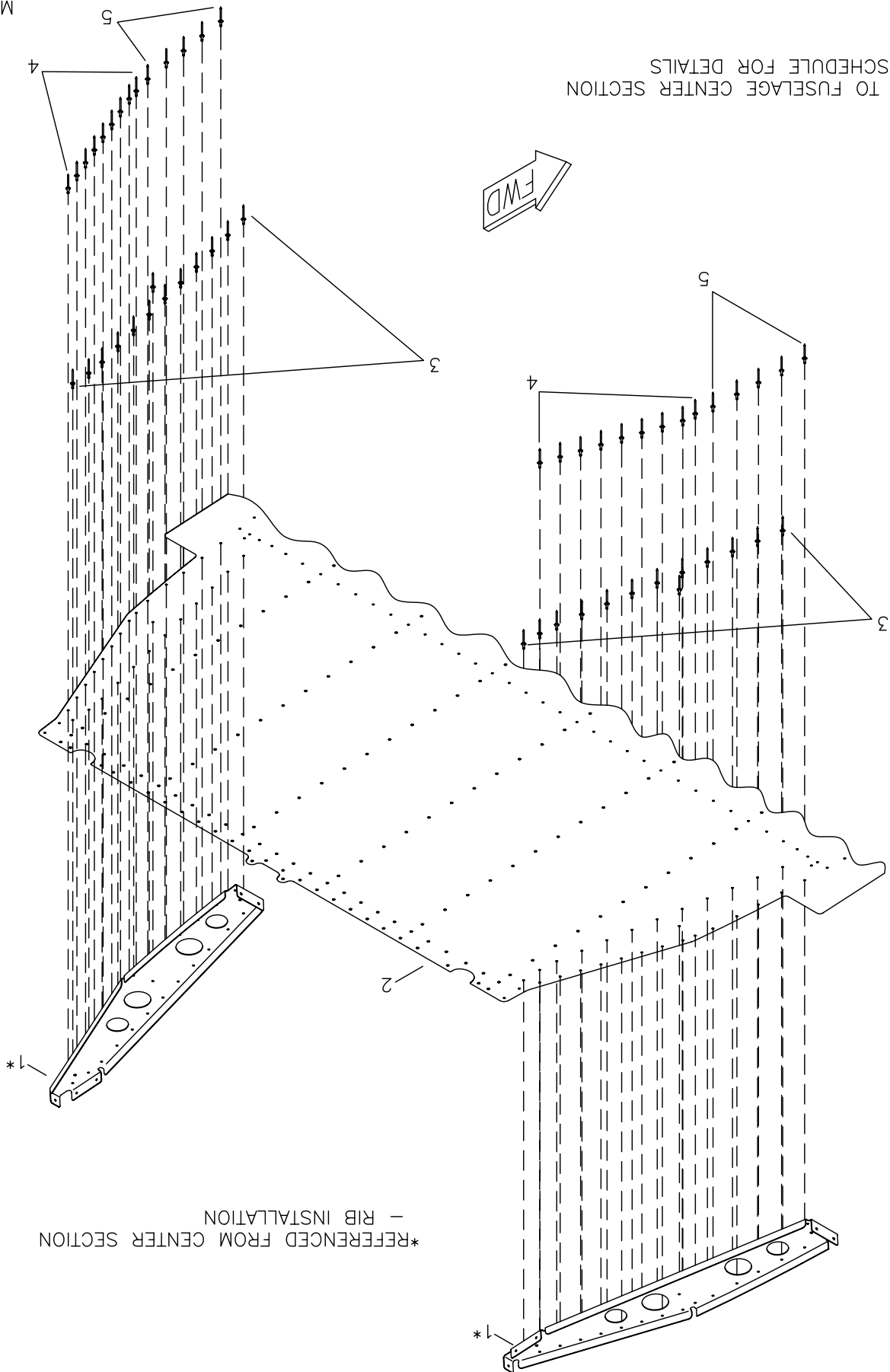
** Rear Spar Bulkhead Support fabricated from Raw Stock

4/1/2011

RRNS S-19 VENTURA CENTER SECTION - BELLY SKIN ASSEMBLY #1

MD5006

REFER TO FUSELAGE CENTER SECTION
RIVET SCHEDULE FOR DETAILS



*REFERENCED FROM CENTER SECTION
- RIB INSTALLATION

#	DESCRIPTION	PART NUMBER	QUANTITY
1.	Floor Stiffener - RH *	KPFU0427-R	0
1.	Floor Stiffener - LH *	KPFU0427-L	0
2.	Belly Skin - Cabin Middle	KPFU0430	1
3.	1/8" Aluminum Rivet - Avex	1691-0410	26
4.	1/8" Aluminum Rivet - Cherry Q	AAPQ-42	18
5.	1/8" Aluminum Rivet - Cherry Q	AAPQ-41	10

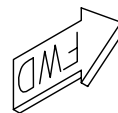
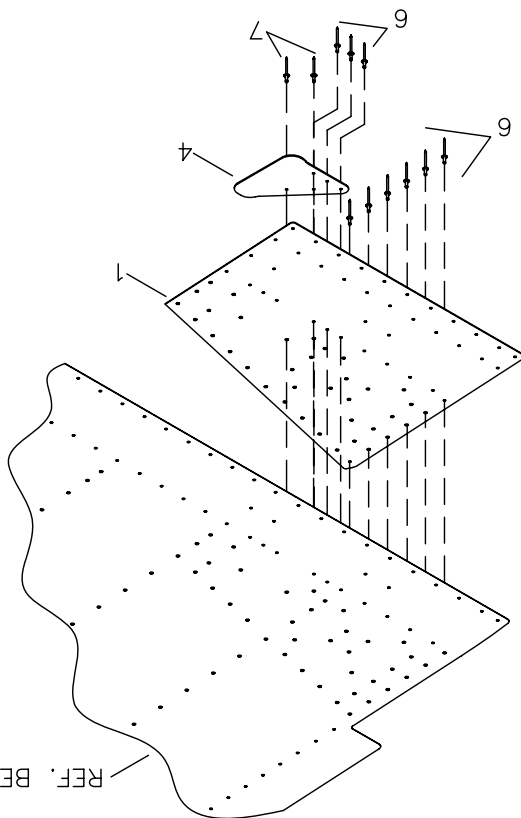
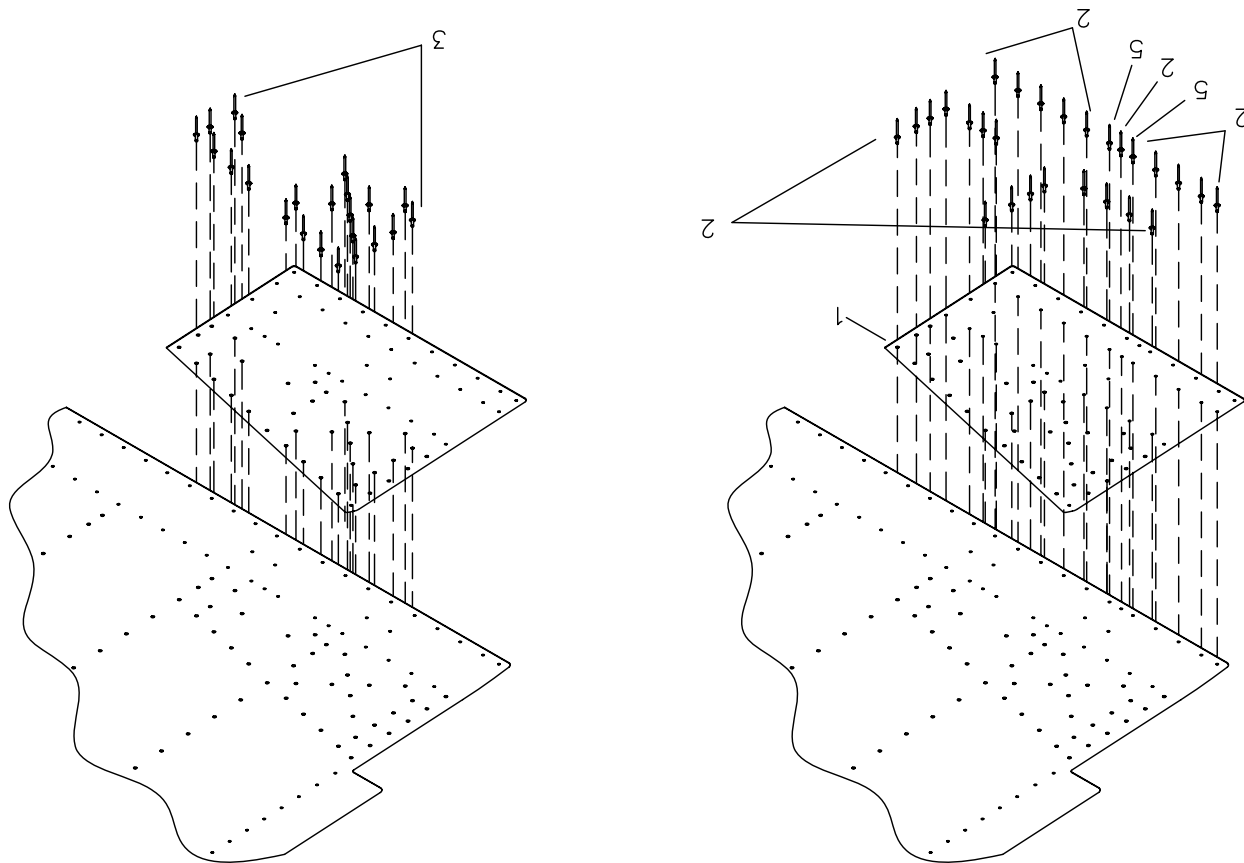
* Referenced from Center Section - Rib Installation.

CENTER SECTION - BELLY SKIN ASSEMBLY #2

RRMS S-19 VENTURA

MD5006

REFER TO FUSELAGE CENTER SECTION
RIVET SCHEDULE FOR DETAILS

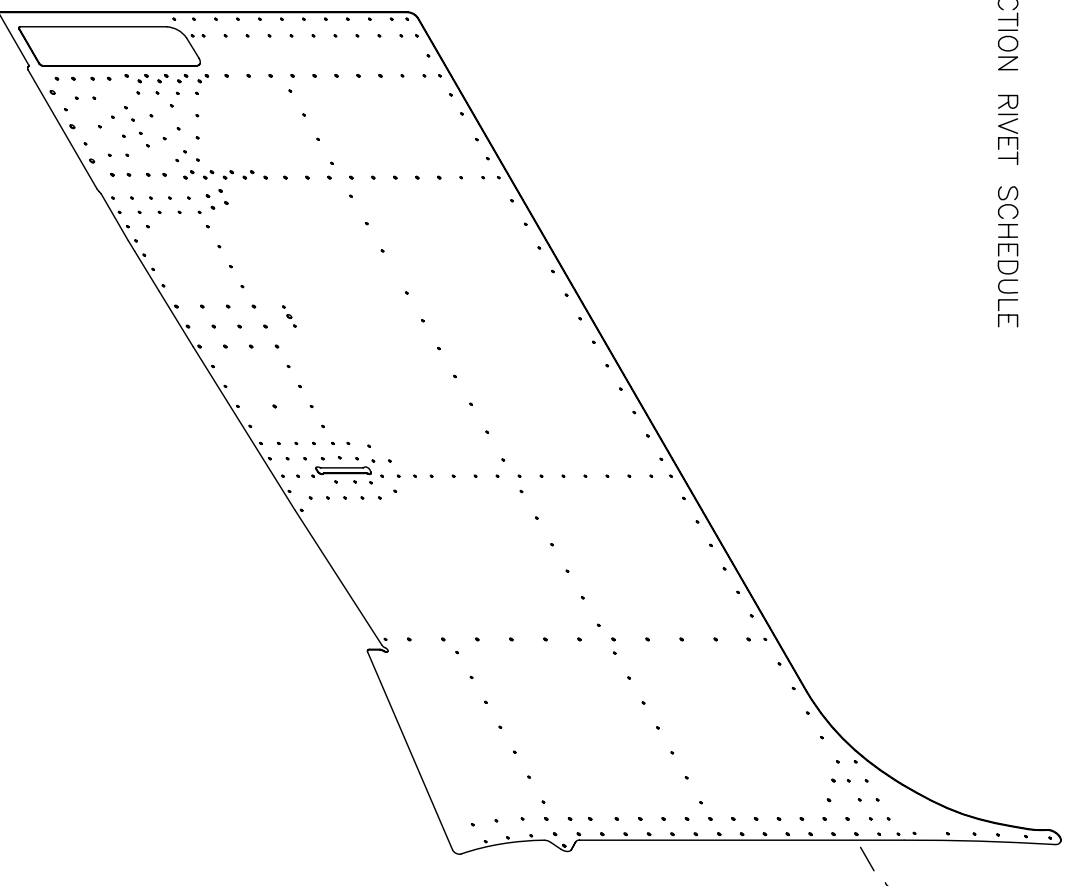


FWD RH SIDE SHOWN

REF. BELLY SKIN ASS'Y #1

#	DESCRIPTION	PART NUMBER	QUANTITY
1.	Gusset	KPFU0448	2
2.	1/8" Aluminum Rivet - Cherry Q	AAPQ-42	62
3.	1/8" Aluminum Rivet - Cherry Q	AAPQ-41	54
4.	Gusset	KPFU0449	2
5.	1/8" Aluminum Rivet - Cherry Q	AAPQ-43	4
6.	1/8" Stainless Steel Rivet - Cherry Q	CCPQ-43	18
7.	1/8" Stainless Steel Rivet - Cherry Q	CCPQ-42	4

REFER TO FUSELAGE CENTER SECTION RIVET SCHEDULE



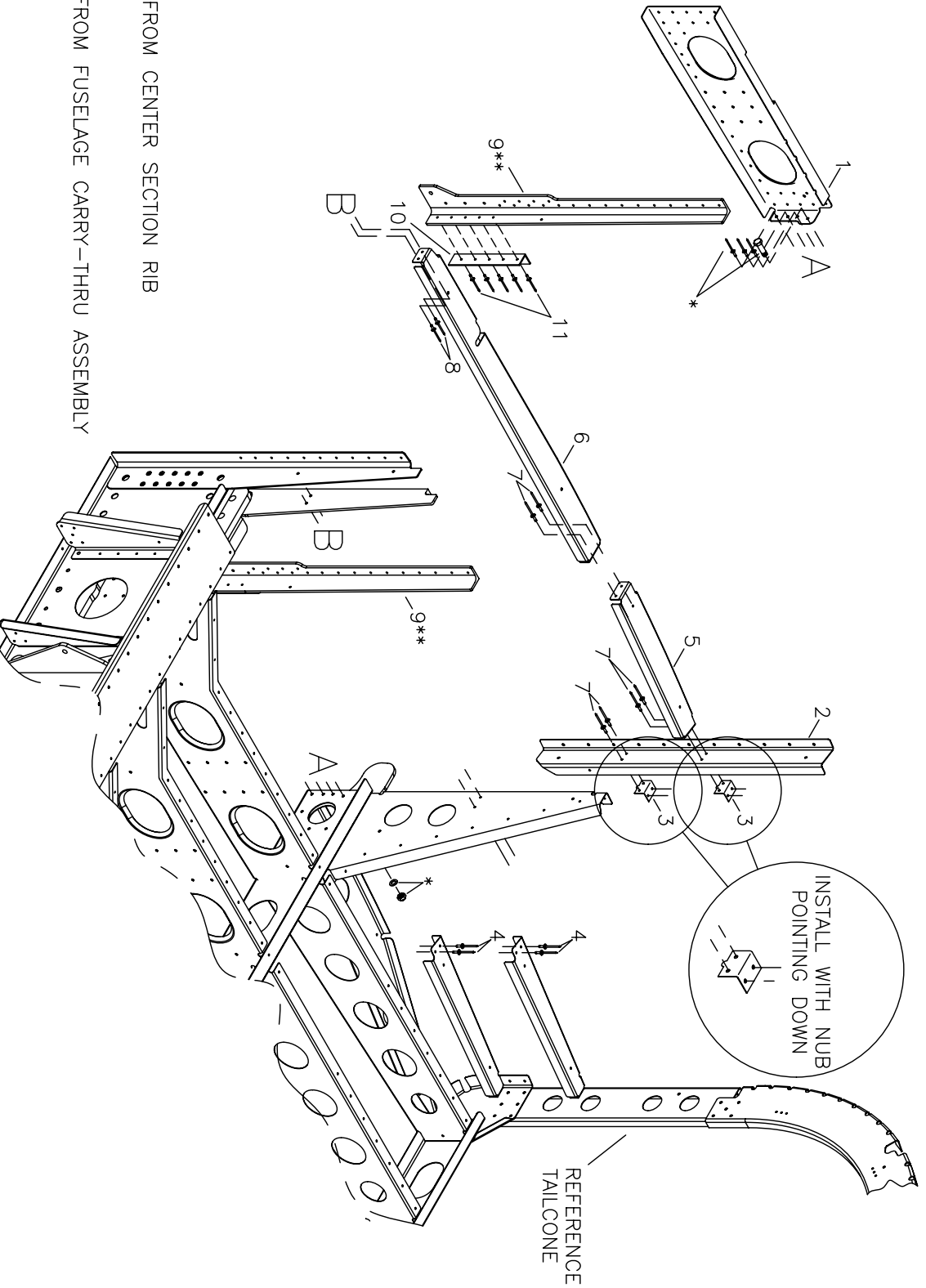
REVISED S-19 VENTERRA

FUSELAGE - CENTER SECTION - SIDE ASSEMBLY #1

MD5001

#	DESCRIPTION	PART NUMBER	QUANTITY
1.	Cabin Side Wall	KPFU0460	2

REFER TO FUSELAGE CENTER SECTION RIVET SCHEDULE



*REFERENCED FROM CENTER SECTION RIB INSTALLATION

**REFERENCED FROM FUSELAGE CARRY-THRU ASSEMBLY

RRF0108 S-19 VENTERRA FUSELAGE - CENTER SECTION - SIDE ASSEMBLY #2

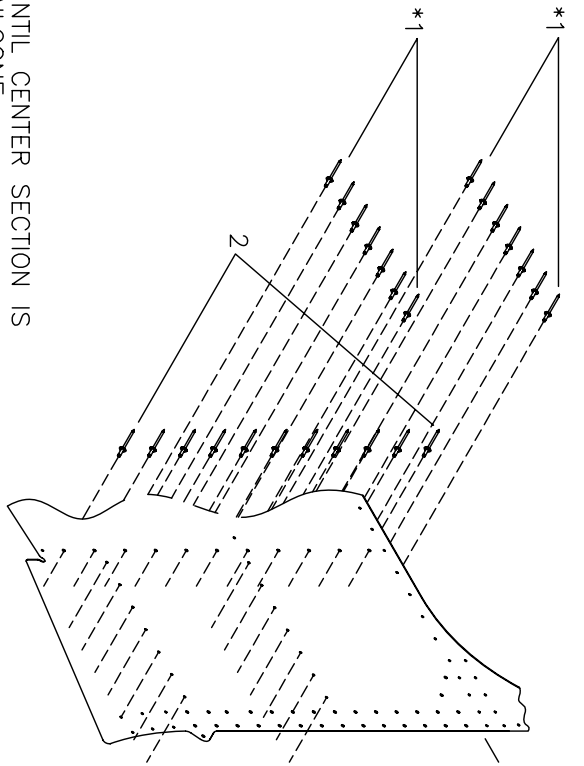
MD5001

#	DESCRIPTION	PART NUMBER	QUANTITY
1.	Rib - Cabin Side Wall - RH	KPFU0422-R	1
1.	Rib - Cabin Side Wall - LH	KPFU0422-L	1
2.	Stiffener - LH	KPFU0428-L	1
2.	Stiffener - LH	KPFU0428-L	1
2.	Stiffener - RH	KPFU0428-R	1
2.	Stiffener - RH	KPFU0428-R	1
3.	Clip *	KPFU0520	2
4.	1/8" Aluminum Rivet - Cherry Q	AAPQ-41	8
5.	Stiffener - Side Wall - RH	KPFU0472-R	1
5.	Stiffener - Side Wall - LH	KPFU0472-L	1
6.	Stiffener - Side Wall - RH	KPFU0478-R	1
6.	Stiffener - Side Wall - LH	KPFU0478-L	1
7.	1/8" Aluminum Rivet - Cherry Q	AAPQ-42	12
8.	1/8" Aluminum Rivet - Cherry Q	AAPQ-44	4
9.	Angle - Gear Block Attach - RH **	KPMG0185-R	0
9.	Angle - Gear Block Attach - LH **	KPMG0185-L	0
10.	Angle	KPFU0419	2
11.	1/8" Stainless Steel Rivet - Cherry Q	CCPQ-44	10

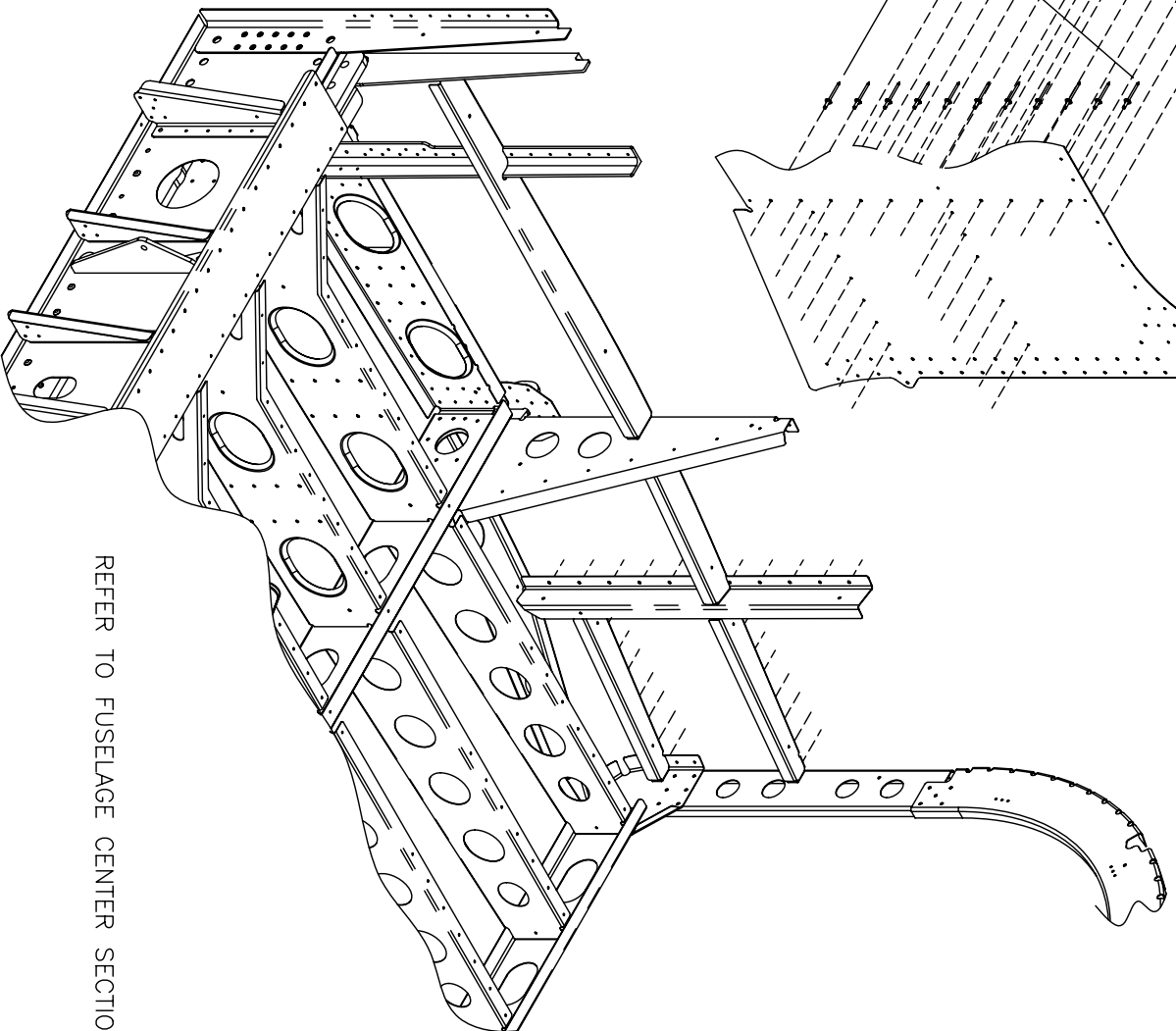
* Builder modifies.

** Referenced from Fuselage Carry-Thru Assembly

*LEAVE OUT UNTIL CENTER SECTION IS JOINED TO TAILCONE



REFERENCE SIDE SKIN

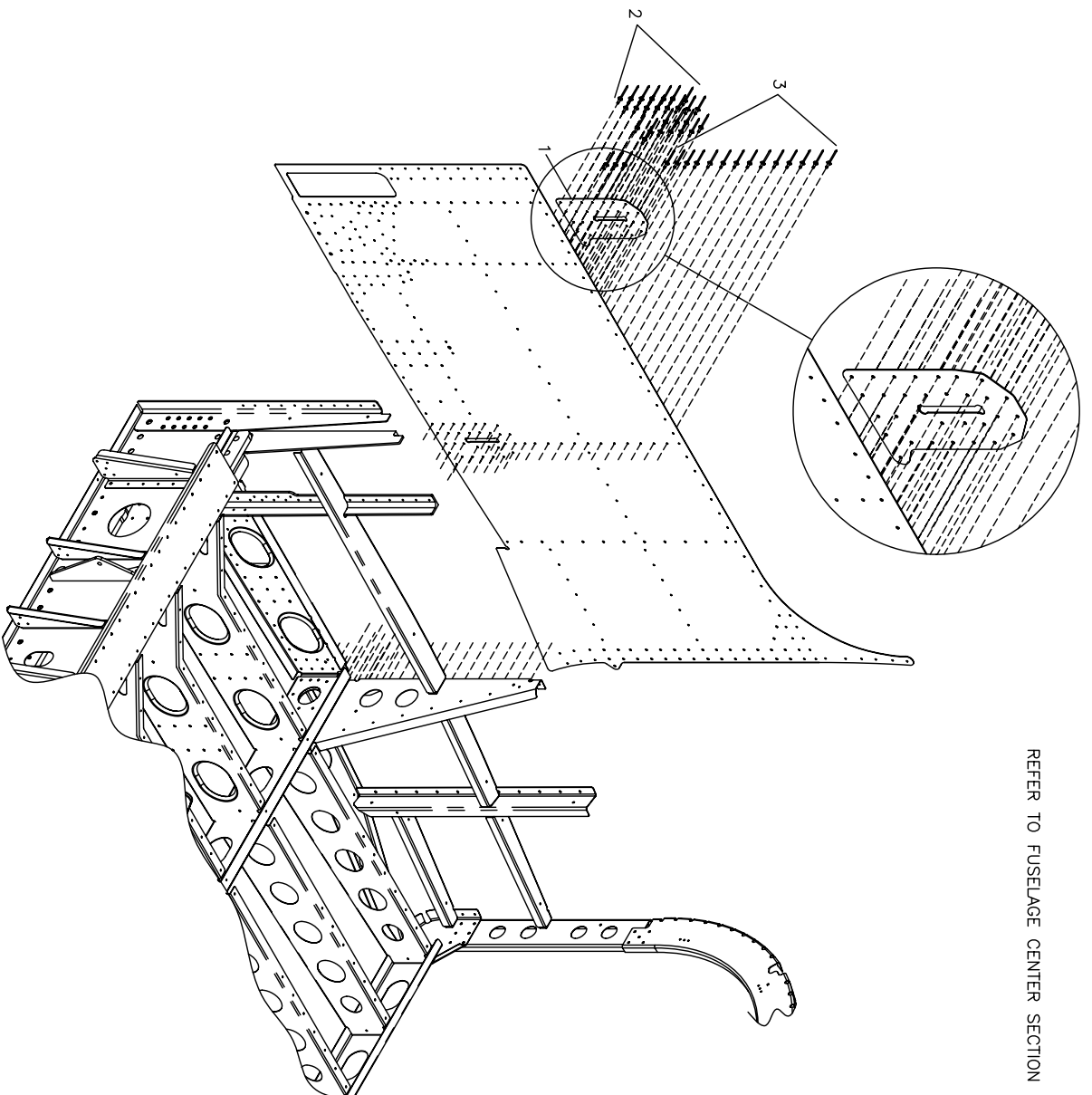


REFER TO FUSELAGE CENTER SECTION RIVET SCHEDULE

RRR01088 S-19 VENTERRA
FUSELAGE - CENTER SECTION - SIDE ASSEMBLY #3

MD5001

#	DESCRIPTION	PART NUMBER	QUANTITY
1.	1/8" Aluminum Rivet - Avex	1691-0410	28
2.	1/8" Aluminum Rivet - Cherry Q	AAPQ-41	24



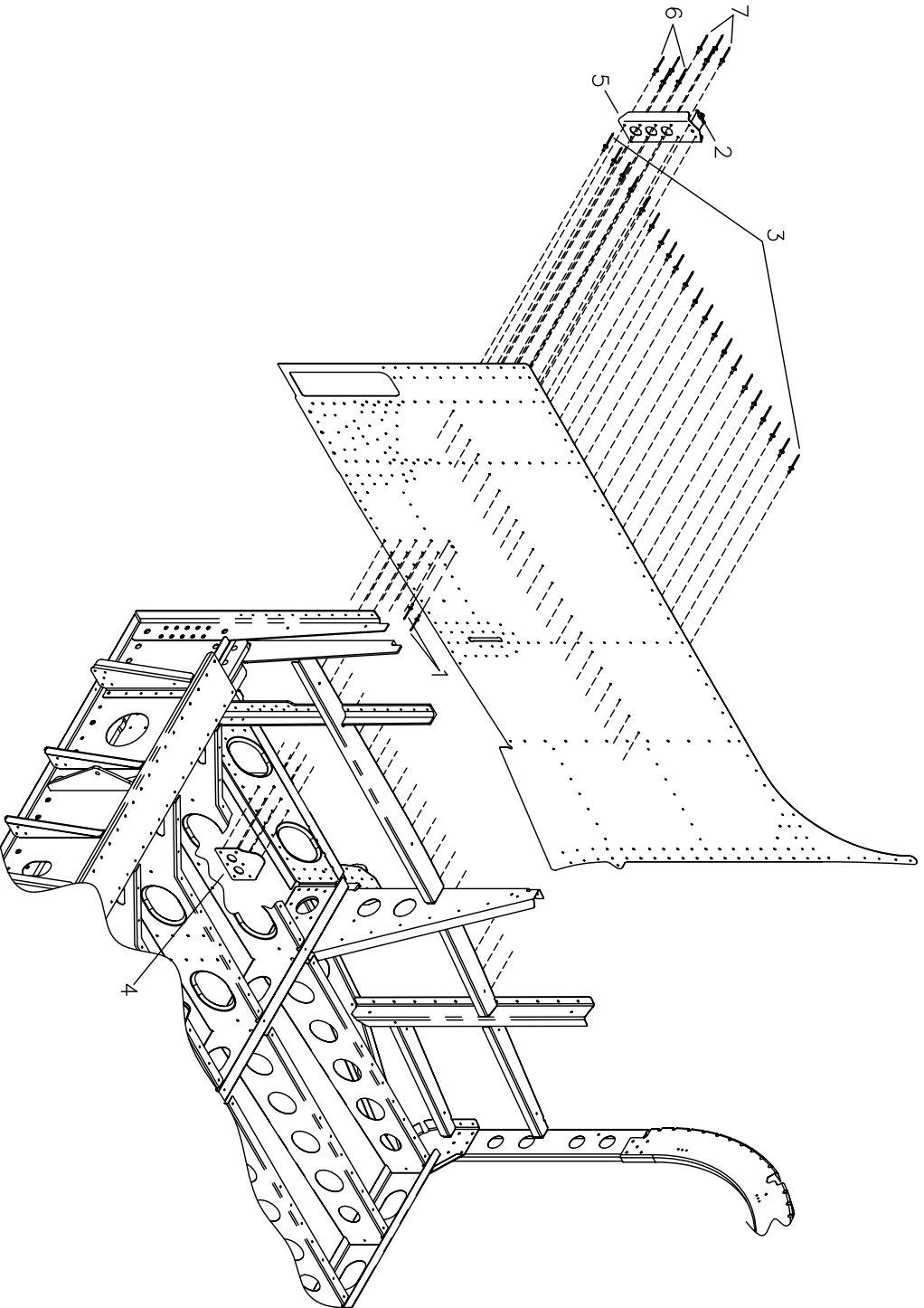
REFER TO FUSELAGE CENTER SECTION RIVET SCHEDULE

RRANDS S-19 VENTERRA
FUSELAGE - CENTER SECTION - SIDE ASSEMBLY #4

MD5001

#	DESCRIPTION	PART NUMBER	QUANTITY
1.	Gusset - Side Skin	KPFU0432	2
2.	1/8" Aluminum Rivet - Cherry Q	AAPQ-42	58
3.	1/8" Aluminum Rivet - Cherry Q	AAPQ-41	28

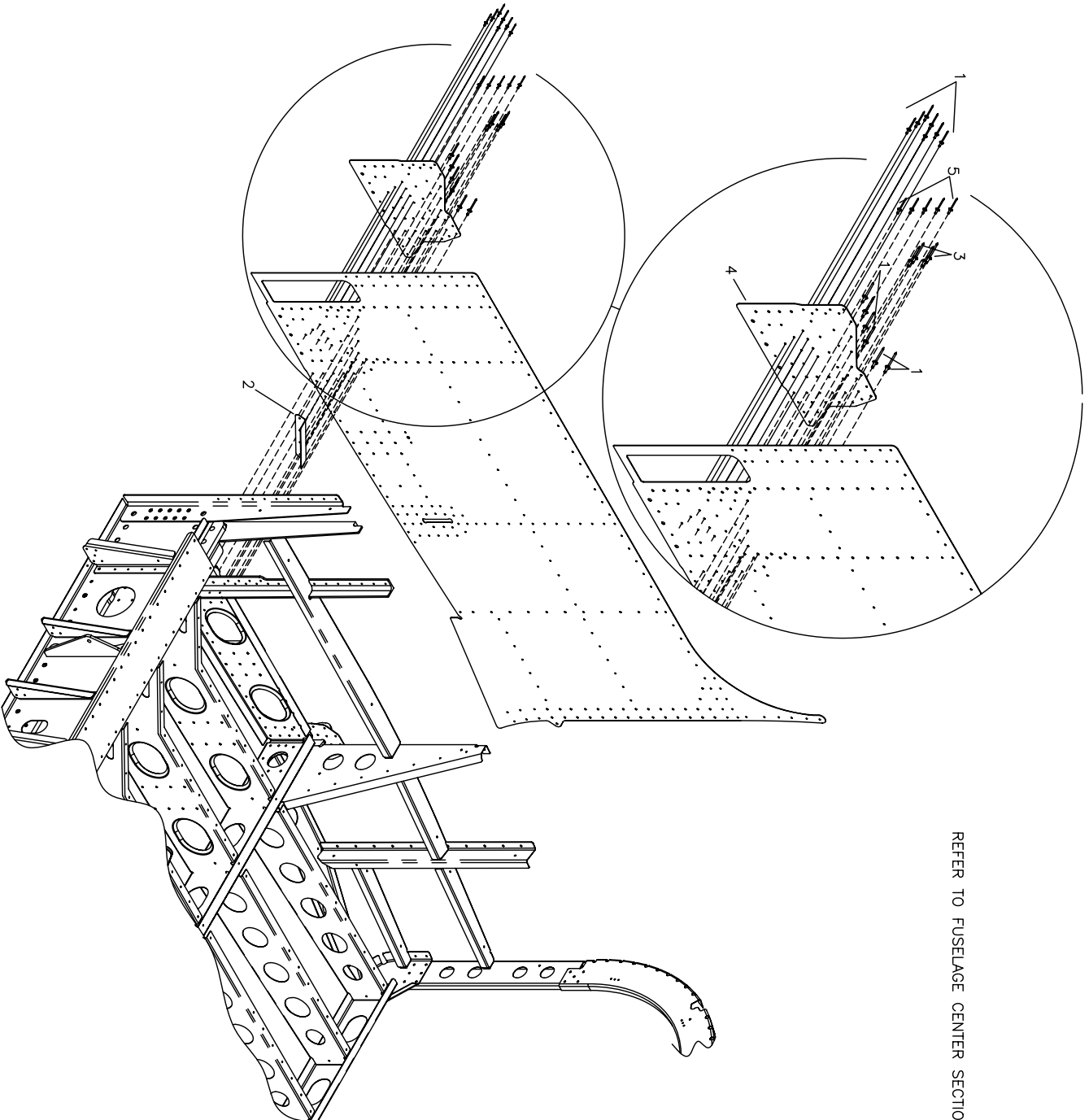
REFER TO FUSELAGE CENTER SECTION RIVET SCHEDULE



RRRPN088 S-19 VENTERRA
FUSELAGE - CENTER SECTION - SIDE ASSEMBLY #5

MD5001

#	DESCRIPTION	PART NUMBER	QUANTITY
1.	3/32" Aluminum Rivet	40APR1/8	4
2.	1/4" Nut Plate	MS21047-4	2
3.	1/8" Aluminum Rivet - Avex	1691-0410	40
4.	Seat Belt Attach Fitting - LH	KPST0066-L	1
4.	Seat Belt Attach Fitting - RH	KPST0066-R	1
5.	Channel - Seat Belt Attach	KPST0065	2
6.	1/8" Stainless Steel Rivet - Cherry Q	CCPQ-42	8
7.	1/8" Stainless Steel Rivet - Cherry Q	CCPQ-43	8



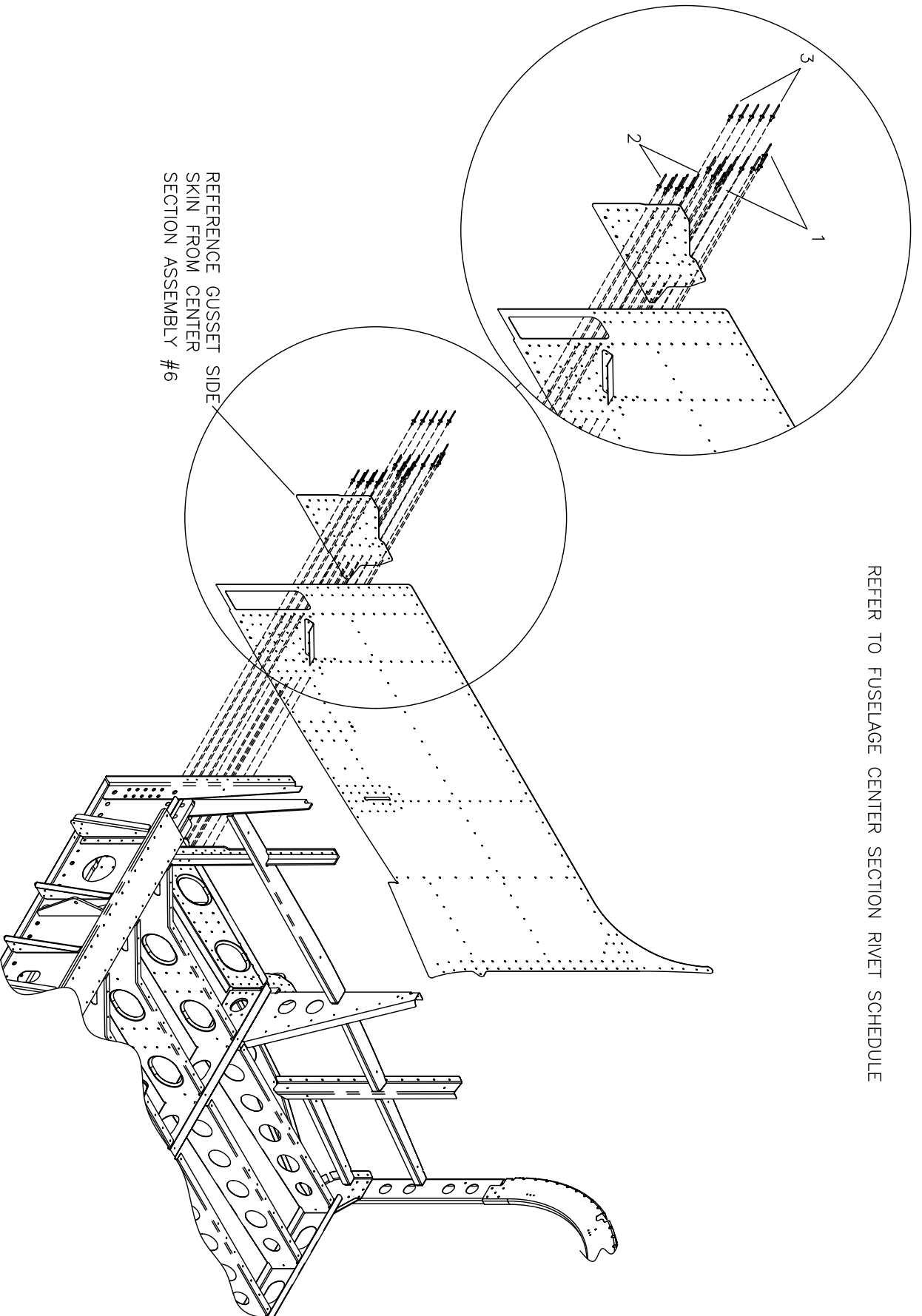
REFER TO FUSELAGE CENTER SECTION RIVET SCHEDULE

RRRPN088 S-19 VENTERRA
FUSELAGE - CENTER SECTION - SIDE ASSEMBLY #6

MD5001

#	DESCRIPTION	PART NUMBER	QUANTITY
1.	1/8" Stainless Steel Rivet - Cherry Q	CCPQ-42	26
2.	Angle - Seat Ramp - RH	KPFU0426-R	1
2.	Angle - Seat Ramp - LH	KPFU0426-L	1
3.	1/8" Stainless Steel Rivet - Cherry Q	CCPQ-44	8
4.	Gusset - Side Skin	KPFU0431	2
5.	1/8" Stainless Steel Rivet - Cherry Q	CCPQ-43	10

REFER TO FUSELAGE CENTER SECTION RIVET SCHEDULE

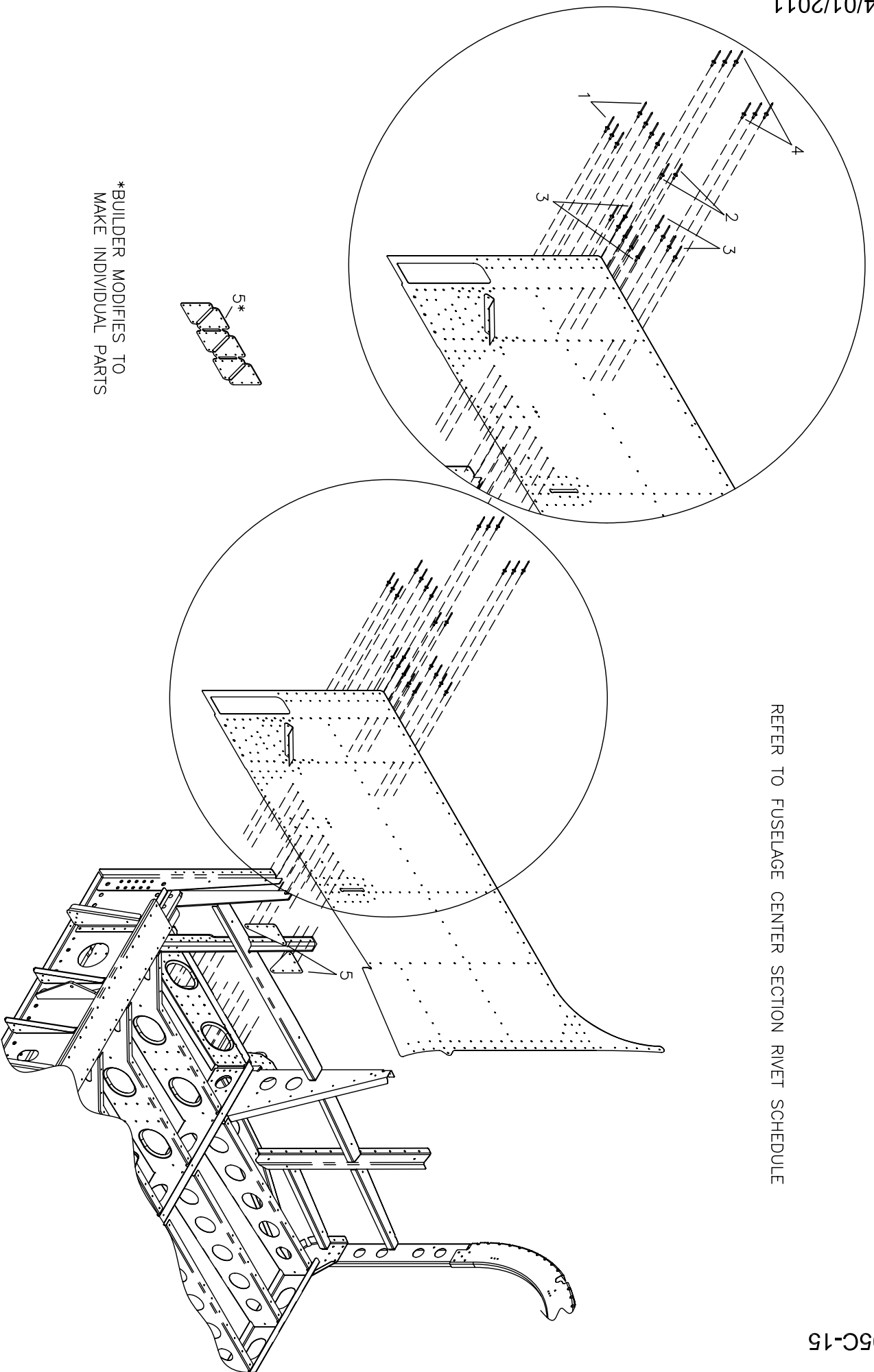


RRRPN08 S-19 VENTERRA
 FUSELAGE - CENTER SECTION - SIDE ASSEMBLY #7

MD5001

#	DESCRIPTION	PART NUMBER	QUANTITY
1.	1/8" Stainless Steel Rivet - Cherry Q	CCPQ-42	20
2.	1/8" Stainless Steel Rivet - Cherry Q	CCPQ-44	14
3.	1/8" Stainless Steel Rivet - Cherry Q	CCPQ-43	10

REFER TO FUSELAGE CENTER SECTION RIVET SCHEDULE



*BUILDER MODIFIES TO MAKE INDIVIDUAL PARTS

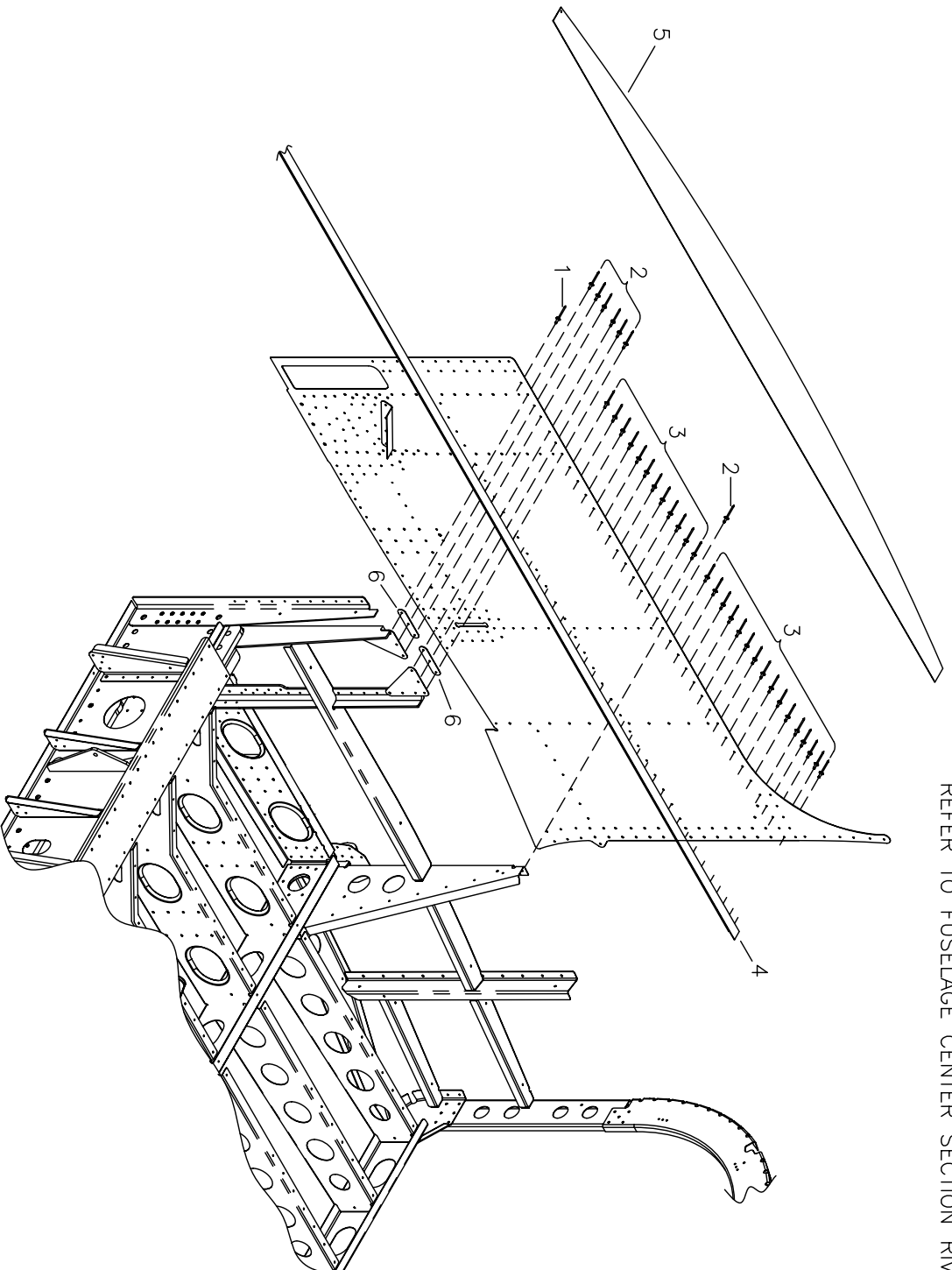
RRRND88 S-19 VENTERRA
FUSELAGE - CENTER SECTION - SIDE ASSEMBLY #8

MD5001

#	DESCRIPTION	PART NUMBER	QUANTITY
1.	1/8" Stainless Steel Rivet - Cherry Q	CCPQ-42	14
2.	1/8" Stainless Steel Rivet - Cherry Q	CCPQ-43	4
3.	1/8" Aluminum Rivet - Cherry Q	AAPQ-42	20
4.	1/8" Stainless Steel Rivet - Cherry Q	CCPQ-44	12
5.	Gusset *	KPFU0421	1

* Builder modifies.

REFER TO FUSELAGE CENTER SECTION RIVET SCHEDULE



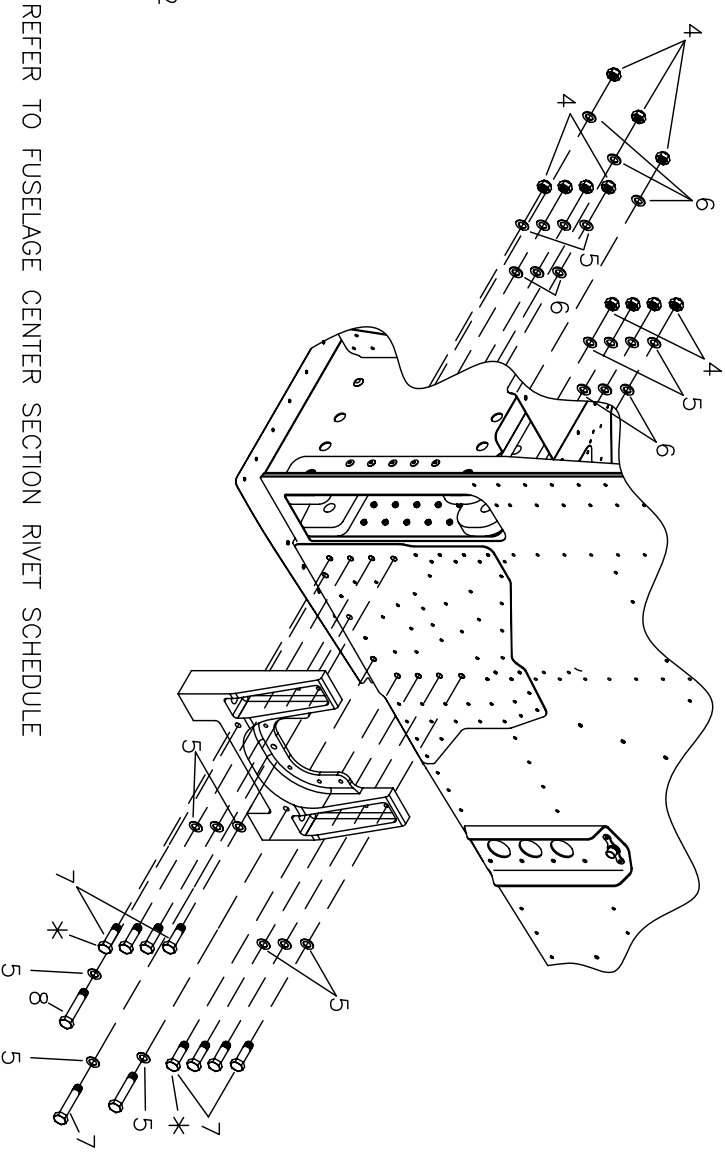
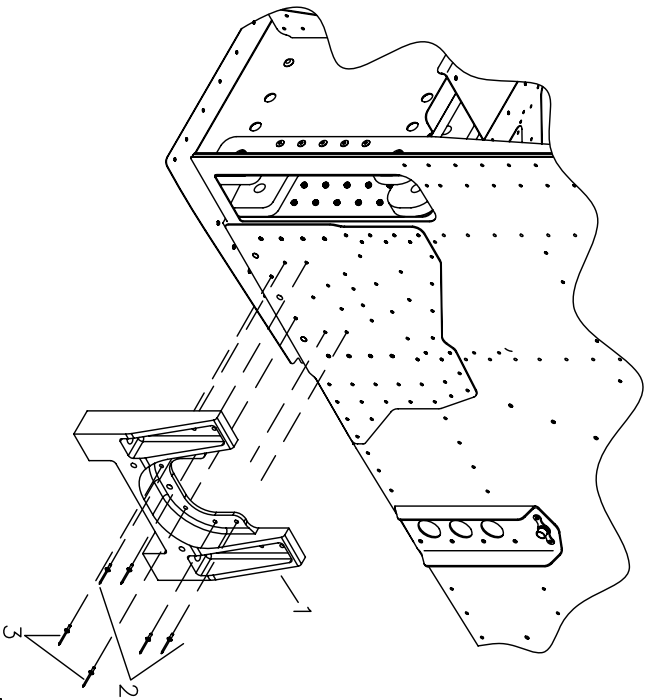
RRRND S-19 VENTERRA
 FUSELAGE - CENTER SECTION - SIDE ASSEMBLY #9

MD5001

#	DESCRIPTION	PART NUMBER	QUANTITY
1.	1/8" Stainless Steel Rivet - Cherry Q	CCPQ-43	2
2.	1/8" Stainless Steel Rivet - Cherry Q	CCPQ-44	14
3.	1/8" Aluminum Rivet - Cherry Q	AAPQ-43	56
4.	Forward Longeron *	KPFU0574	2
5.	Template - Longeron Bending	KPFU0530	1
6.	Shim**	KAAC0044-10	0

* Builder modifies.

** Builder fabricates from raw stock



REFER TO FUSELAGE CENTER SECTION RIVET SCHEDULE

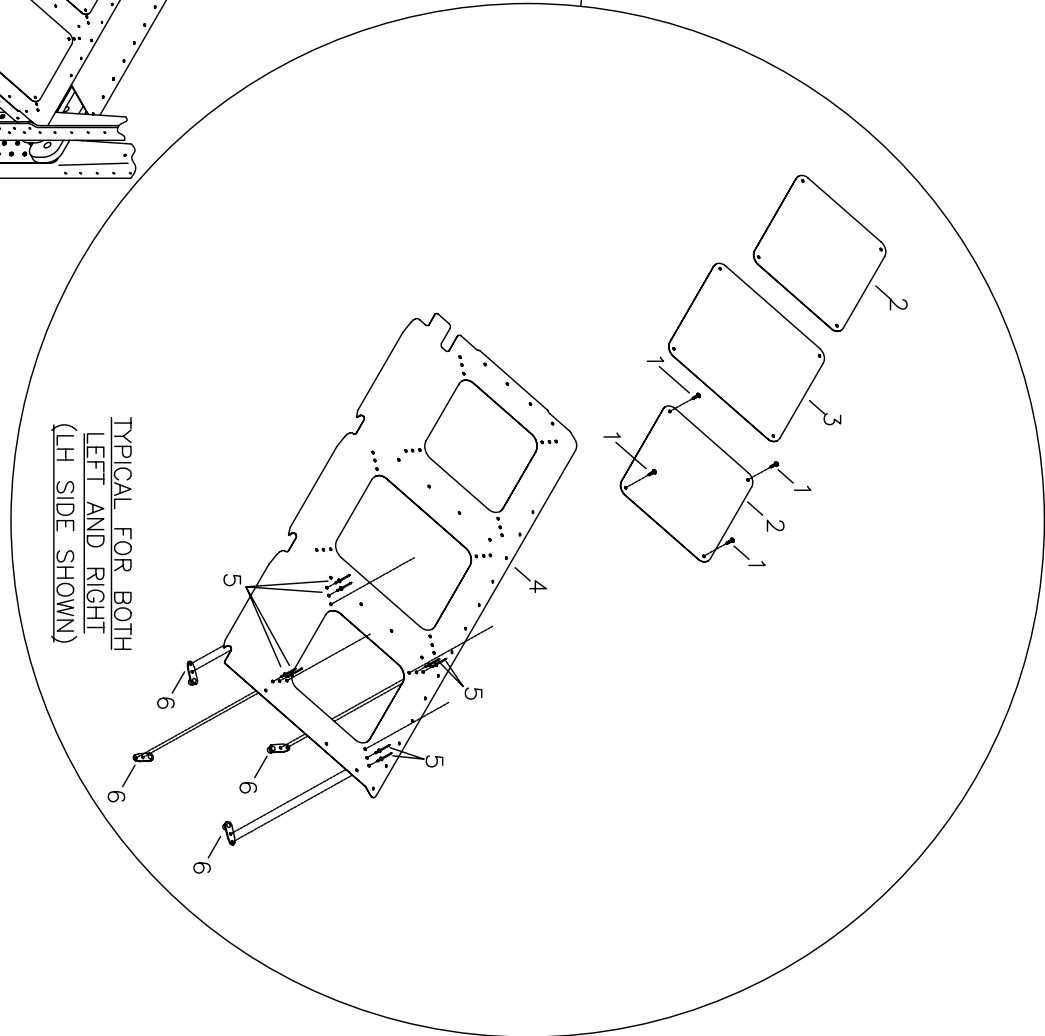
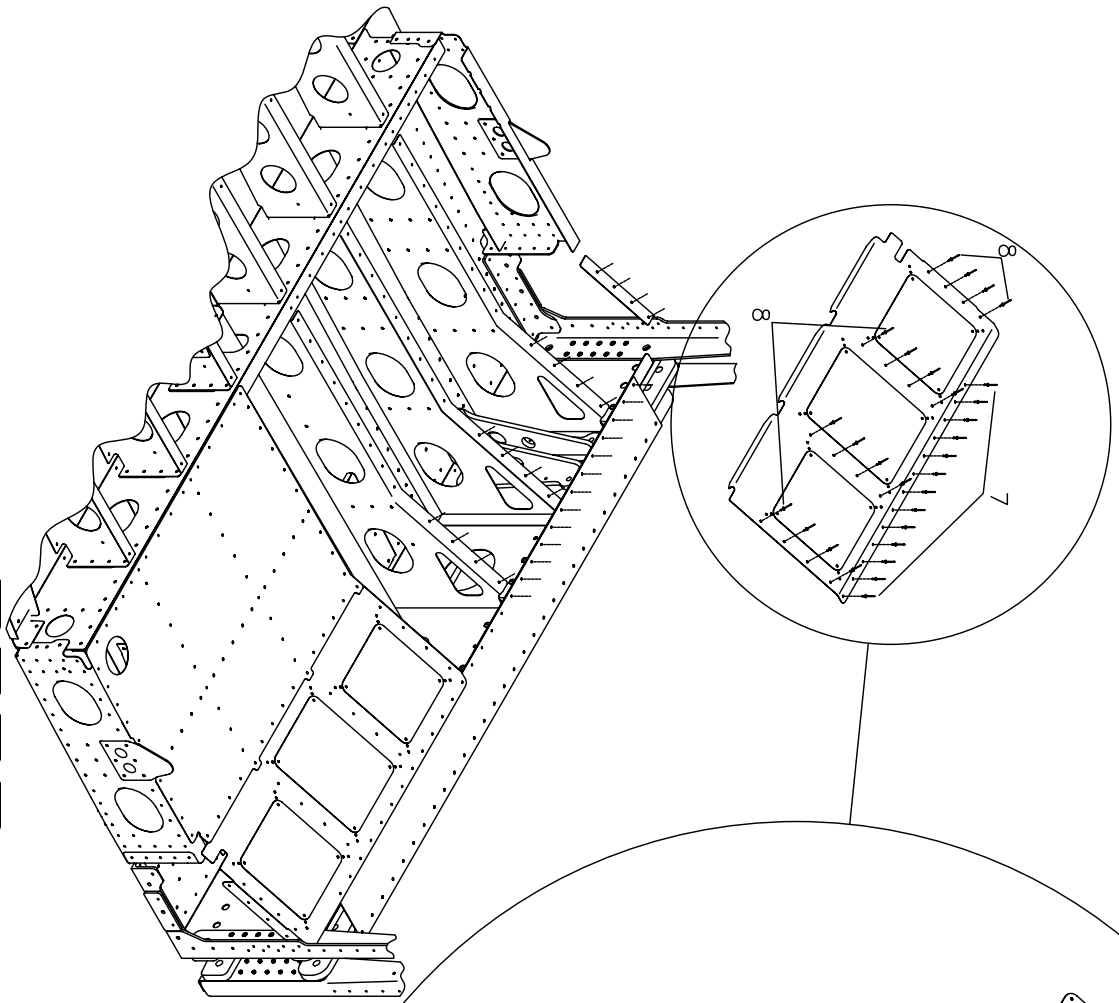
* NO WASHER IS USED UNDER HEAD OF BOLT

RRRMD088 S-19 VENTERRA FUSELAGE - CENTER SECTION - GEAR BLOCK INSTALLATION

MD5016

#	DESCRIPTION	PART NUMBER	QUANTITY
1.	Gear Block	KPMG0201	2
2.	1/8" Stainless Steel Rivet - Cherry Q	CCPQ-44	8
3.	3/16" Steel Rivet	SSPQ-68	4
4.	3/16" Tensile Nut	AN365-1032A	22
5.	3/16" Thin Washer	AN960-10L	34
6.	3/16" Thick Washer	AN960-10	18
7.	3/16" Bolt - Close Tolerance	NAS6603-7	18
8.	3/16" Bolt - Close Tolerance	NAS6603-22	4

#	DESCRIPTION	PART NUMBER	QUANTITY
1.	3/32" Aluminum Rivet	40APR1/8	20
2.	1/8" Aluminum Rivet - Avex	1691-0410	184
3.	Seat Skin - RH	KPFU0433-R	1
3.	Seat Skin - LH	KPFU0433-L	1
4.	Seat Skin Shim - Inboard	KPFU0606	2
5.	Seat Skin Shim - Outboard	KPFU0607	2
6.	Seat Skin Stiffener - Outboard - RH	KPFU0609-R	1
6.	Seat Skin Stiffener - Outboard - LH	KPFU0609-L	1
7.	Seat Skin Stiffener - Inboard - RH	KPFU0608-R	1
7.	Seat Skin Stiffener - Inboard - LH	KPFU0608-L	1
8.	3/16" Single-Ear Floating Nut Plate	KSHW0086	8
9.	3/16" Single-Ear Nut Plate	MS21051-L3	2



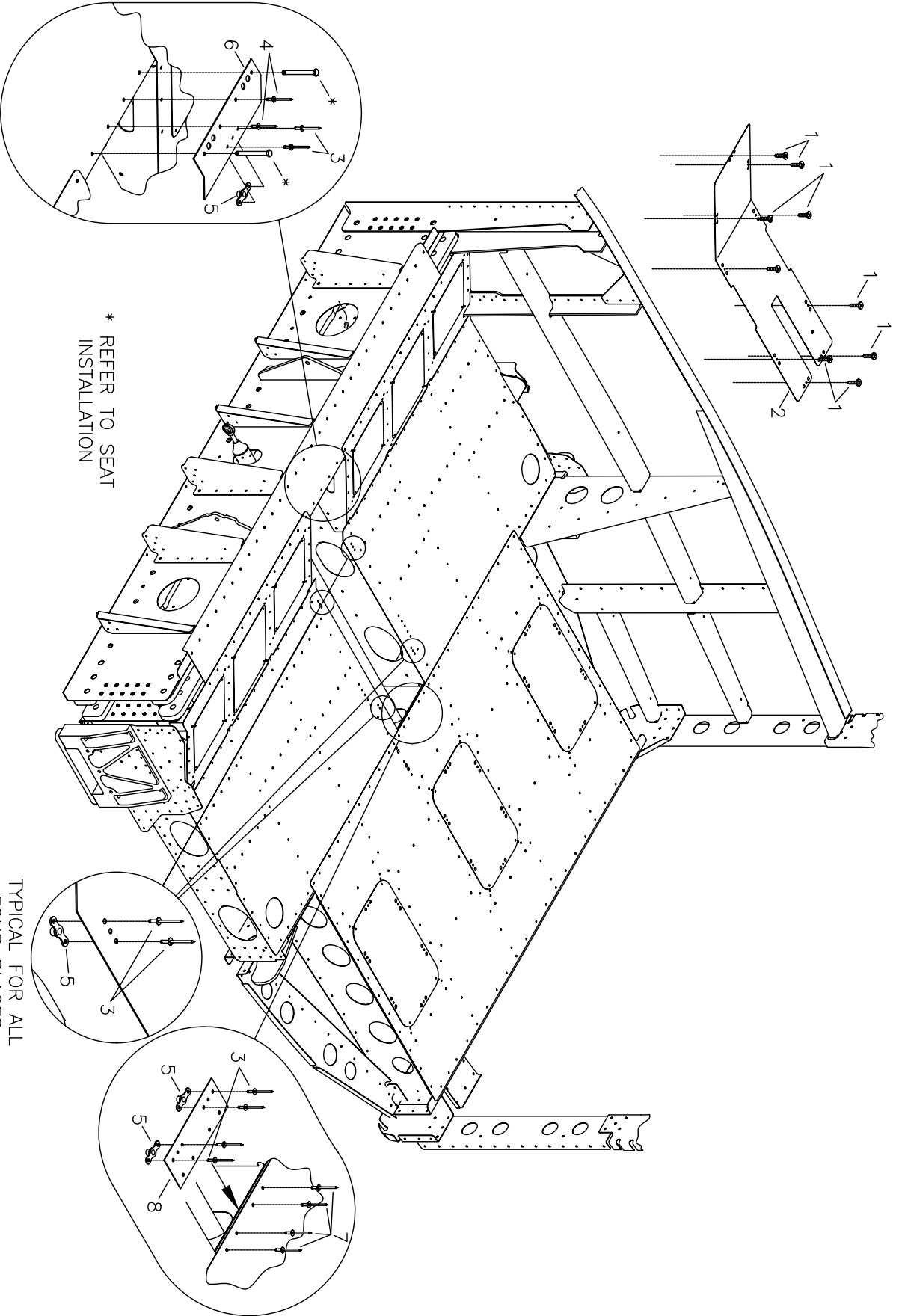
LEFT HAND
INSTALLATION SHOWN

TYPICAL FOR BOTH
LEFT AND RIGHT
(LH SIDE SHOWN)

PRANDIS S-19 VENTERRA
SEAT RAMP SKIN INSTALLATION

MD5150

#	DESCRIPTION	PART NUMBER	QUANTITY
1.	#8 Trusshead Screw	AN526-832R6	24
2.	Access Panel	KPFU0445	4
3.	Access Panel	KPFU0444	2
4.	Seat Ramp Skin - RH	KPFU0446-R	1
4.	Seat Ramp Skin - LH	KPFU0446-L	1
5.	3/32" Aluminum Rivet	40APR1/8	48
6.	#8 Single-Ear Nut Plate	MS21051-08	24
7.	1/8" Aluminum Rivet - Cherry Q	AAPQ-42	26
8.	1/8" Aluminum Rivet - Avex	1691-0410	32



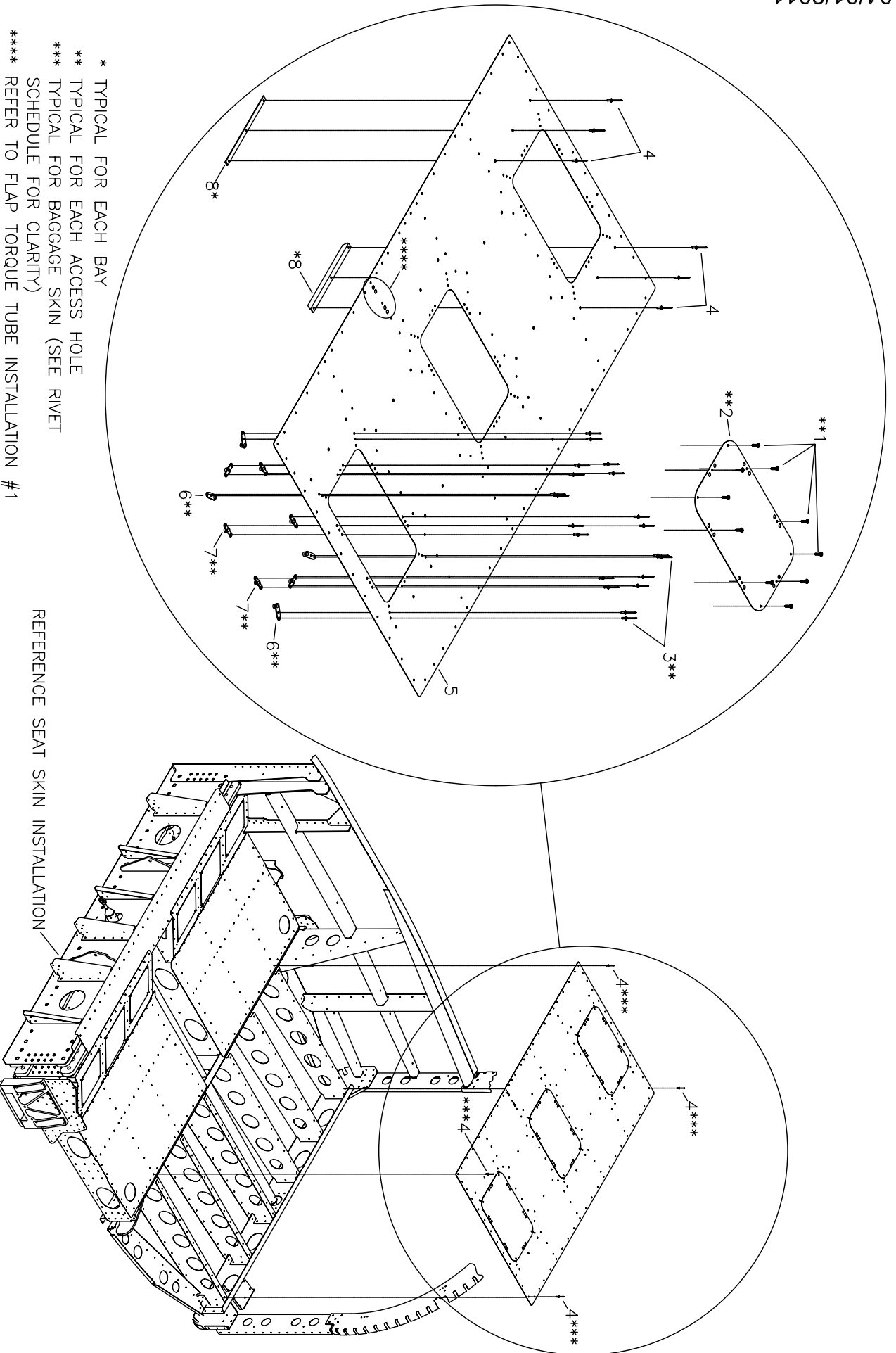
* REFER TO SEAT
INSTALLATION

TYPICAL FOR ALL
FOUR PLACES

RRRONDOS S-19 VENTERRA CENTRAL ACCESS PANEL INSTALLATION

MDS154

#	DESCRIPTION	PART NUMBER	QUANTITY
1.	#8 Trusshead Screw	AN526-832R6	9
2.	Access Panel	KPFU0603	1
3.	3/32" Aluminum Rivet	40APR1/8	14
4.	1/8" Aluminum Rivet - Cherry Q	AAPQ-42	2
5.	#8 Nut Plate	MS21047-08	7
6.	Access Panel Attach Angle	KPFU0604	1
7.	1/8" Aluminum Rivet - Avex	1691-0410	4
8.	Access Panel Attach	KPFU0605	1



- * TYPICAL FOR EACH BAY
- ** TYPICAL FOR EACH ACCESS HOLE
- *** TYPICAL FOR BAGGAGE SKIN (SEE RIVET SCHEDULE FOR CLARITY)
- **** REFER TO FLAP TORQUE TUBE INSTALLATION #1

REFERENCE SEAT SKIN INSTALLATION

RRFDN08 S-19 VENTERRA BAGGAGE DECK INSTALLATION

MDS151

#	DESCRIPTION	PART NUMBER	QUANTITY
1.	#8 Trusshead Screw	AN526-832R6	30
2.	Access Panel - Baggage Deck	KPFU0602	3
3.	3/32" Aluminum Rivet	40APR1/8	60
4.	1/8" Aluminum Rivet - Avex	1691-0410	200
5.	Baggage Deck	KPFU0593	1
6.	#8 Single-Ear Nut Plate	MS21051-08	12
7.	#8 Nut Plate	MS21047-08	18
8.	Baggage Skin Stiffener *	KPFU0592	1

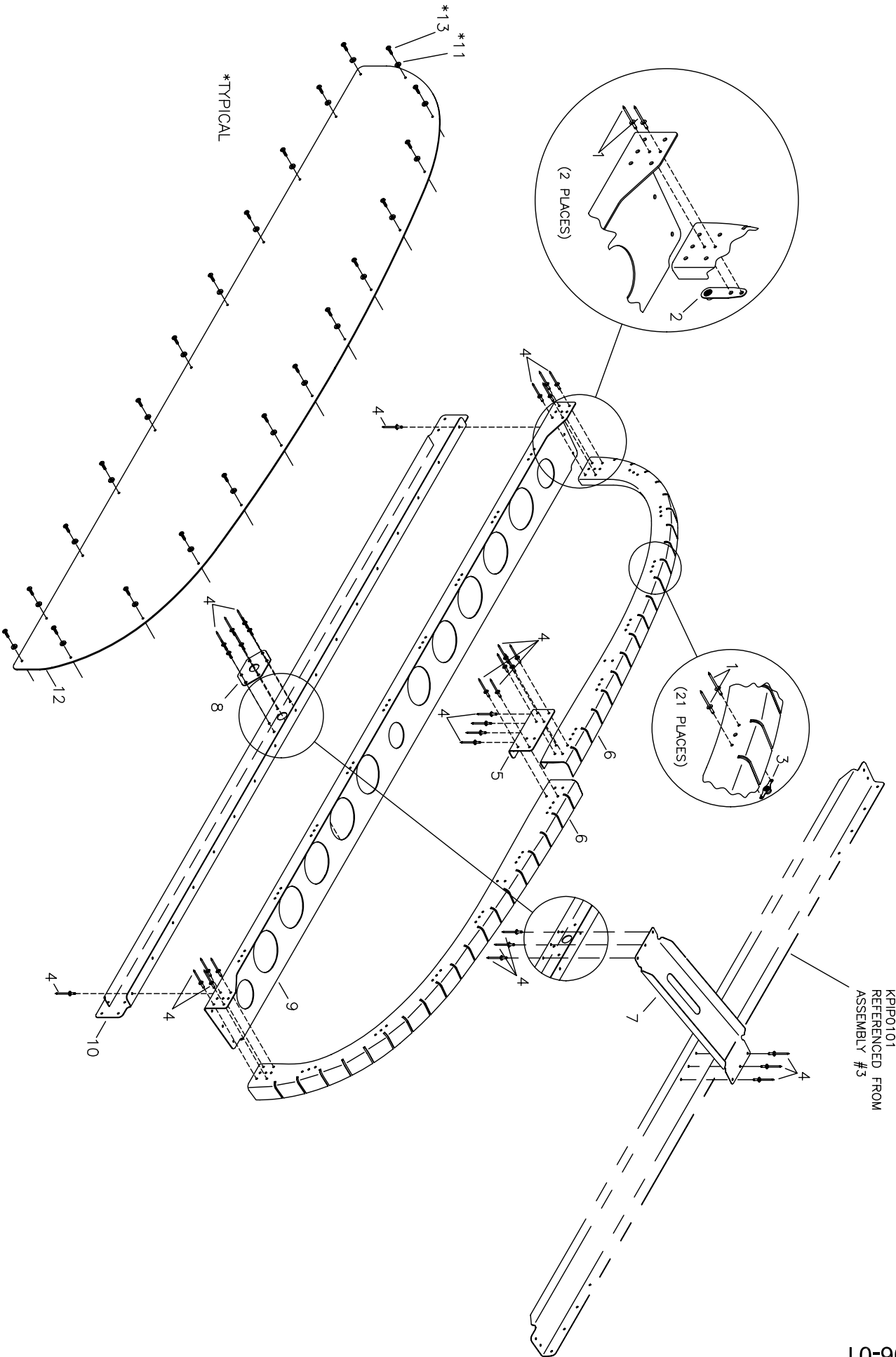
* Builder modifies

06 – FUSELAGE – FORWARD SECTION

UPPER FWD FUSELAGE ASSEMBLY #1	06-01 - 06-02
UPPER FWD FUSELAGE ASSEMBLY #2	06-03 - 06-04
UPPER FWD FUSELAGE ASSEMBLY #3	06-05 - 06-06
UPPER FWD FUSELAGE ASSEMBLY #4	06-07 - 06-08
UPPER FWD FUSELAGE ASSEMBLY #5	06-09 - 06-10
FIREWALL ASSEMBLY #1	06A-01 - 06A-02
FIREWALL ASSEMBLY #2	06A-03 - 06A-04
FIREWALL ASSEMBLY #3	06A-05 - 06A-06
FIREWALL ASSEMBLY #4	06A-07 - 06A-08
FIREWALL ASSEMBLY #5	06A-09 - 06A-10
FIREWALL ASSEMBLY #6	06A-11 - 06A-12
FIREWALL ASSEMBLY #7	06A-13 - 06A-14
FIREWALL ASSEMBLY #8	06A-15 - 06A-16
FUSELAGE FLOOR ASSEMBLY #1	06B-01 - 06B-02
FUSELAGE FLOOR ASSEMBLY #2	06B-03 - 06B-04
FUSELAGE FLOOR ASSEMBLY #3	06B-05 - 06B-06
FUSELAGE FLOOR ASSEMBLY #4	06B-07 - 06B-08
FLOORBOARD INSTALLATION #1	06C-01 - 06C-02
FLOOR BOARD INSTALLATION #2	06C-03 - 06C-04
RUDDER PEDAL/BRAKE INSTALLATION #1	06D-01 - 06D-02
RUDDER PEDAL/BRAKE INSTALLATION #2 – STANDARD PILOT SIDE	06D-03 - 06D-04
RUDDER PEDAL/BRAKE INSTALLATION #2 – OPTIONAL DUAL	06D-03A - 06D-04
OPTIONAL PARKING BRAKE INSTALLATION	05D-05 - 06D-06
FWD FUSELAGE ASSEMBLY #1	06E-01 - 06E-02

FWD FUSELAGE ASSEMBLY #2	06E-03 - 06E-04
FWD FUSELAGE INSTALLATION #1	06F-01 - 06F-02
FWD FUSELAGE INSTALLATION #2	06F-03 - 06F-04
FWD FUSELAGE SKIN INSTALLATION #1	06G-01 - 06G-02
FWD FUSELAGE SKIN INSTALLATION #2.....	06G-03 - 06G-04
FWD FUSELAGE SKIN INSTALLATION #3.....	06G-05 - 06G-06
FWD FUSELAGE SKIN INSTALLATION #4.....	06G-07 - 06G-08
FWD FUSELAGE SKIN INSTALLATION #5.....	06G-09 - 06G-10
ROLL BAR INSTALLATION #1	06H-01 - 06H-02
ROLL BAR INSTALLATION #2.....	06H-03 - 06H-04
ROLL BAR INSTALLATION #3.....	06H-05 - 06H-06
ROLL BAR INSTALLATION #4.....	06H-07 - 06H-08

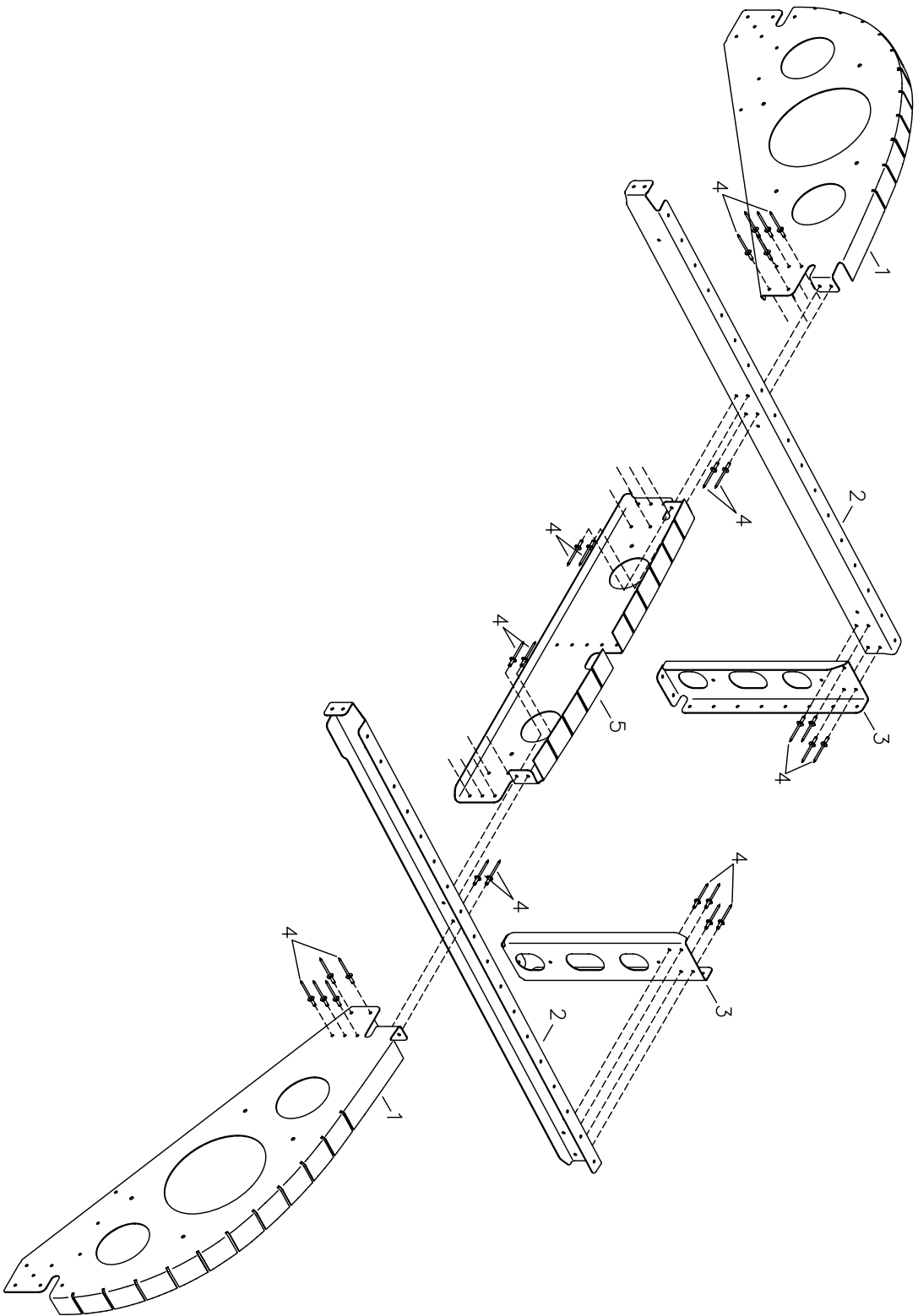
KPIP0101
REFERENCED FROM
ASSEMBLY #3



RRR S-19 VENTERRA
 UPPER FWD FUSELAGE ASSEMBLY #1

MD5039

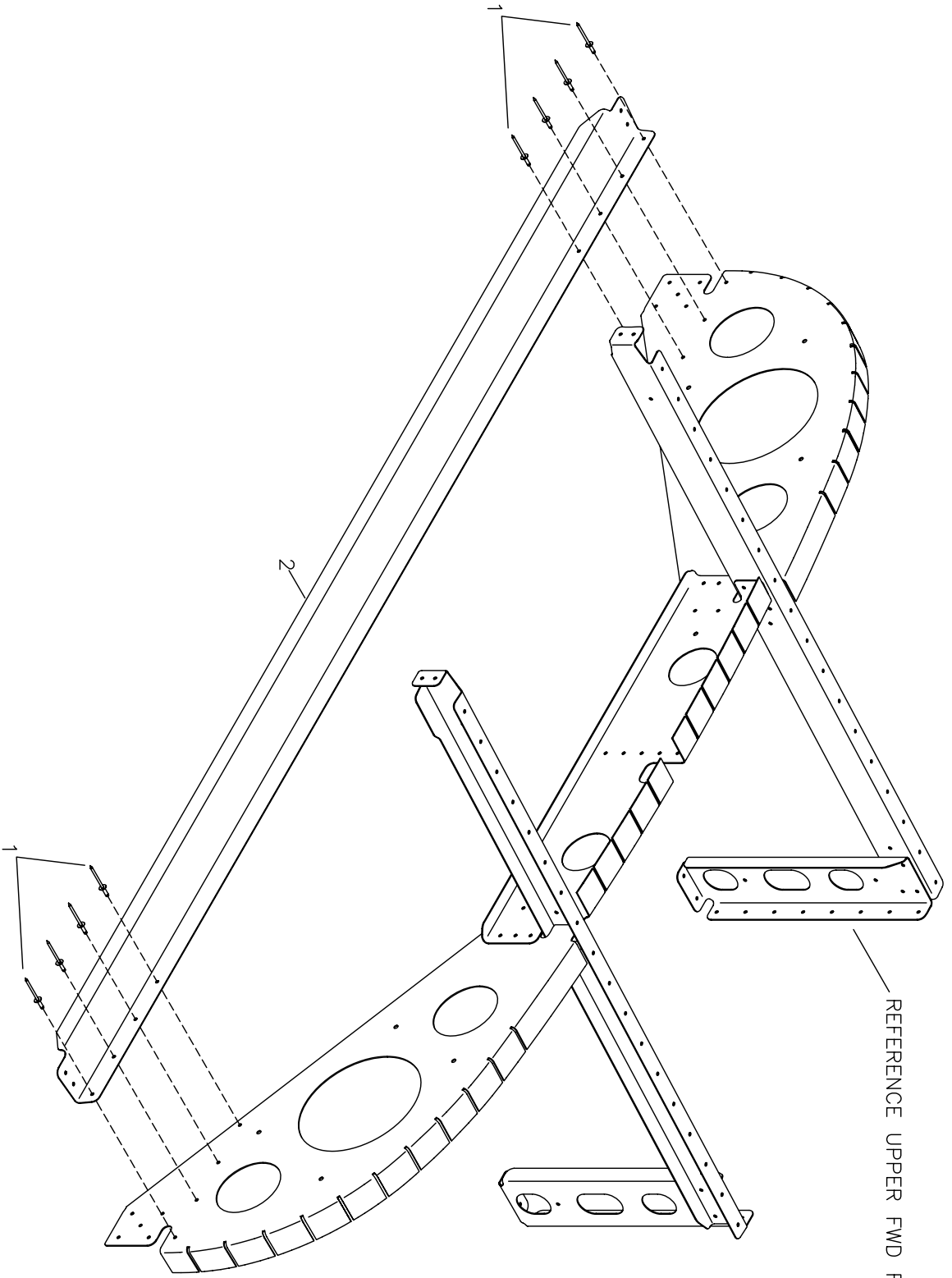
#	DESCRIPTION	PART NUMBER	QUANTITY
1.	3/32" Aluminum Rivet	40APR1/8	46
2.	#8 Single-Ear Nut Plate	MS21051-08	2
3.	#8 Nut Plate	MS21047-08	21
4.	1/8" Aluminum Rivet - Cherry Q	AAPQ-42	43
5.	Splice - Panel Frame	KPIP0100	1
6.	Instrument Panel Frame - RH	KPFU0544-R	1
6.	Instrument Panel Frame - LH	KPFU0544-L	1
7.	Instrument Panel Reinforcement	KPFU0652	1
8.	Throttle Reinforcement	KPIP0121	1
9.	Instrument Panel Support	KPIP0096	1
10.	Instrument Sub Panel	KPIP0095	1
11.	3/16" Rubber Grommet	KSAC0002	23
12.	Instrument Panel - Standard Blank	KPIP0094	1
13.	#8 Pan Head Machine Screw	MS27039-0809	23



**RRRINDOS S-19 VENTERRA
UPPER FWD FUSELAGE ASSEMBLY #2**

MD5039

#	DESCRIPTION	PART NUMBER	QUANTITY
1.	Bulkhead Top - RH	KPFU0548-R	1
1.	Bulkhead Top - LH	KPFU0548-L	1
2.	Channel - Upper Skin Support - RH	KPFU0543-R	1
2.	Channel - Upper Skin Support - LH	KPFU0543-L	1
3.	Firewall Support - RH	KPFW0022-R	1
3.	Firewall Support - LH	KPFW0022-L	1
4.	1/8" Aluminum Rivet - Cherry Q	AAPQ-41	26
5.	Bulkhead Center	KPFU0550	1

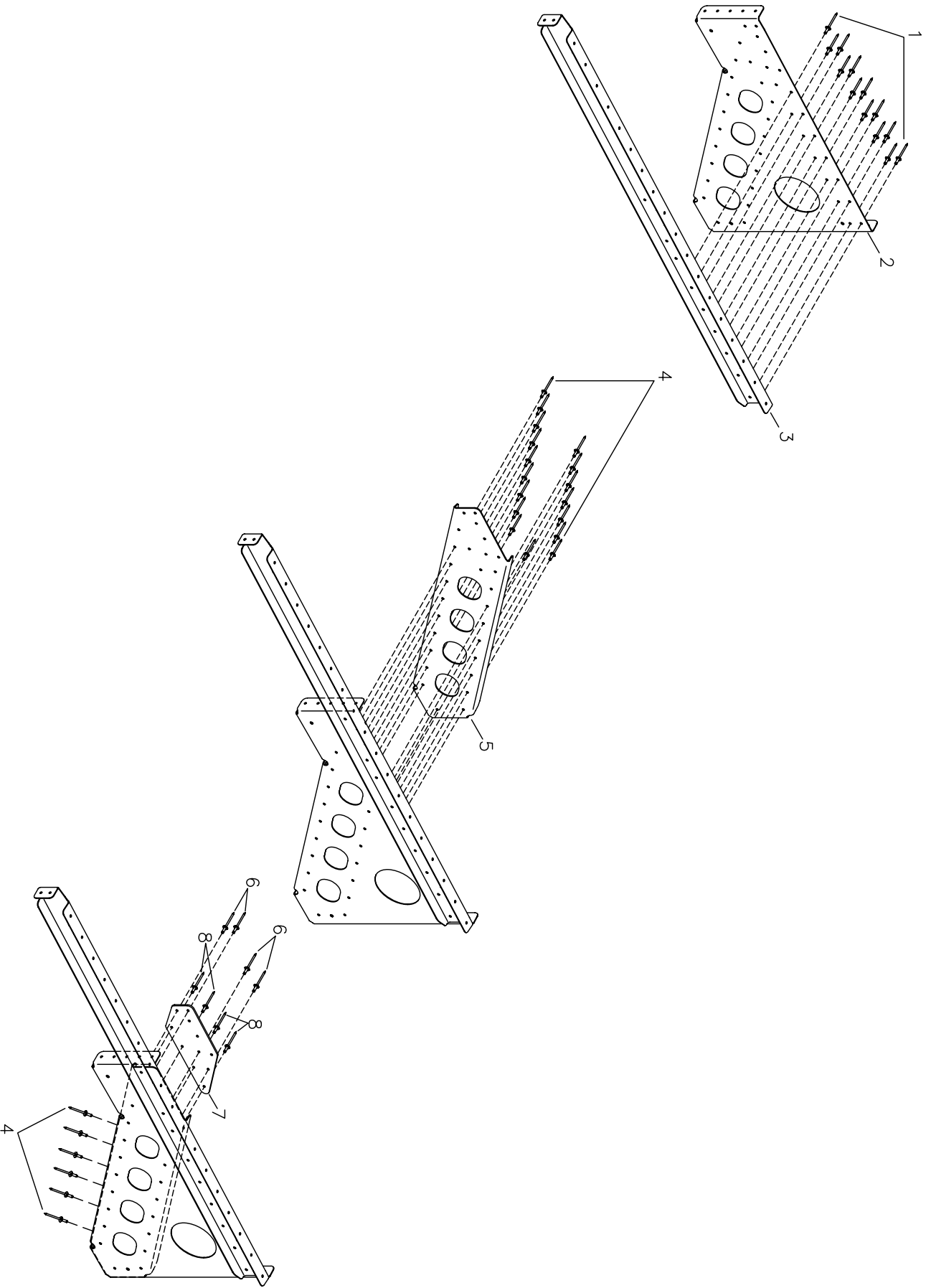


REFERENCE UPPER FWD FUSELAGE ASS'Y #2

**FRONT S-19 VENTERRA
UPPER FWD FUSELAGE ASSEMBLY #3**

MD5039

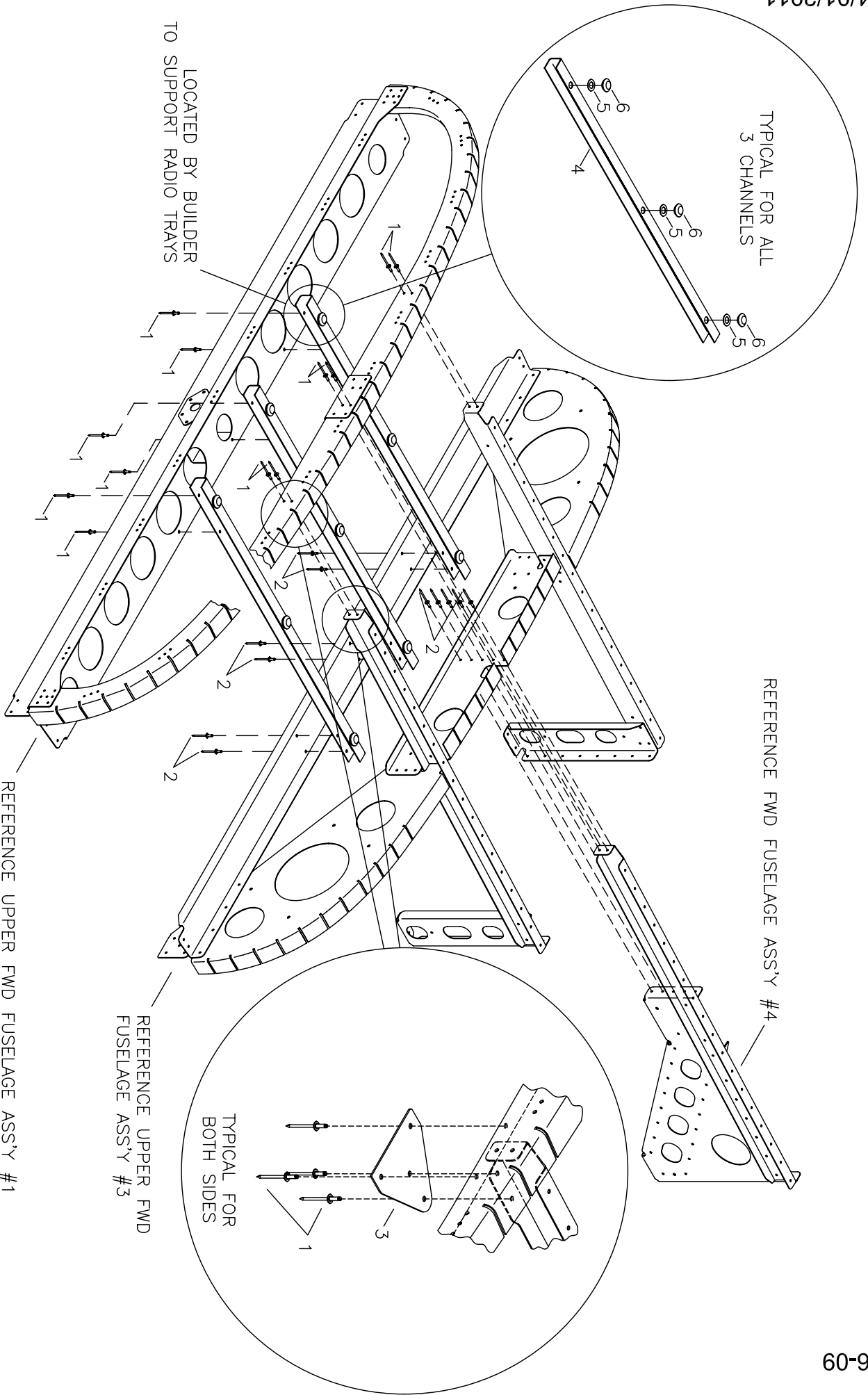
#	DESCRIPTION	PART NUMBER	QUANTITY
1.	1/8" Aluminum Rivet - Cherry Q	AAPQ-41	8
2.	Radio Support	KPIP0101	1



RRF01008 S-19 VENTERRA
UPPER FWD FUSELAGE ASSEMBLY #4

MD5039

#	DESCRIPTION	PART NUMBER	QUANTITY
1.	1/8" Aluminum Rivet - Cherry Q	AAPQ-41	13
2.	Gusset - Roll Bar Support	KPFU0549	1
3.	Channel - Upper Skin Support	KPFU0545	1
4.	1/8" Aluminum Rivet - Cherry Q	AAPQ-42	23
5.	Channel - Roll Bar Support	KPFU0546	1
6.	1/8" Stainless Steel Rivet - Cherry Q	CCPQ-43	4
7.	Plate	KPFU0555	1
8.	1/8" Aluminum Rivet - Cherry Q	AAPQ-43	4

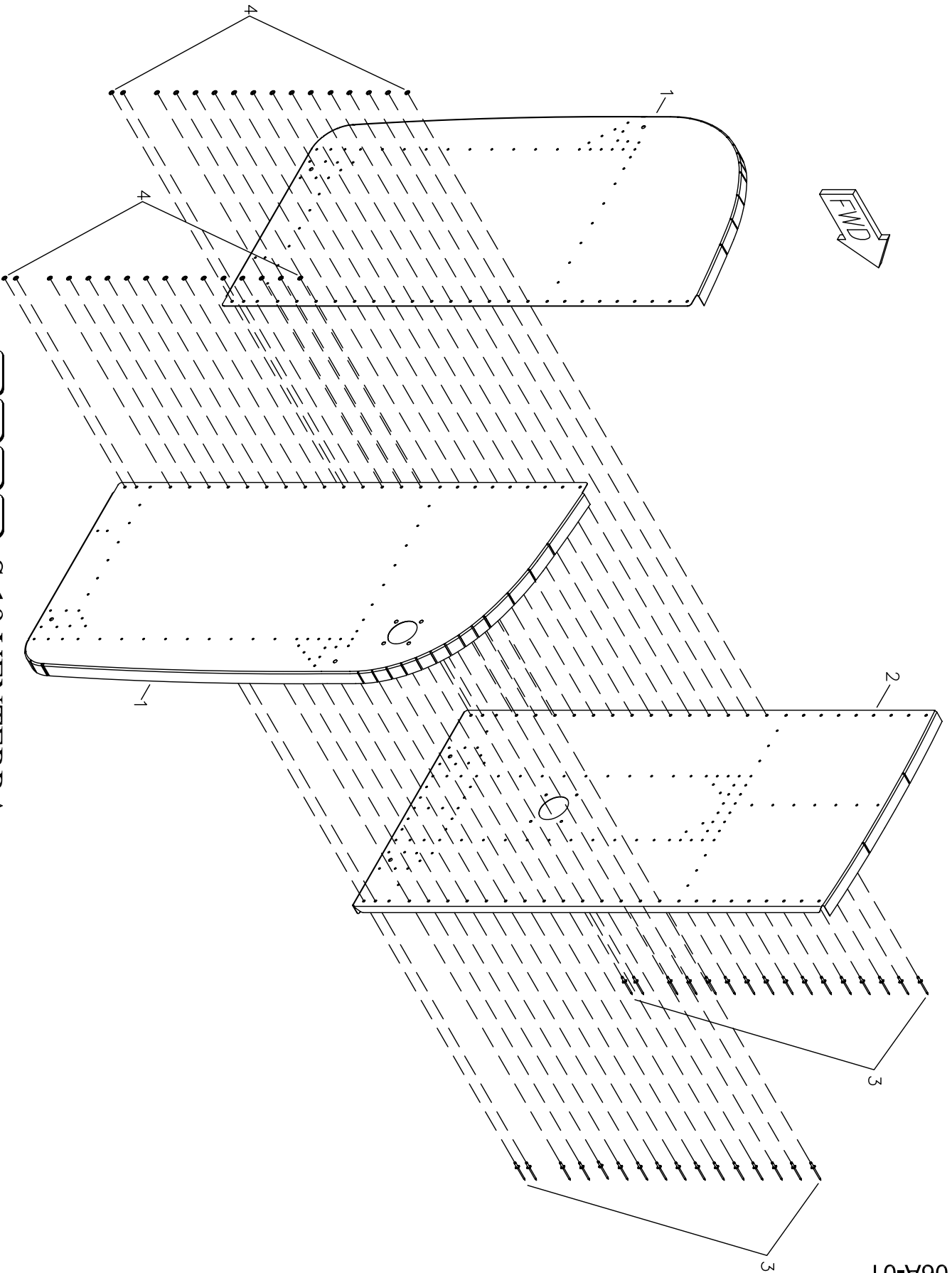


RRRNDSS S-19 VENTERRA
UPPER FWD FUSELAGE ASSEMBLY #5

MD5039

#	DESCRIPTION	PART NUMBER	QUANTITY
1.	1/8" Aluminum Rivet - Cherry Q	AAPQ-42	20
2.	1/8" Aluminum Rivet - Cherry Q	AAPQ-41	11
3.	Clip - Panel Frame *	KPIP0099	1
4.	Radio Support Channel	KPIP0102	3
5.	1/4" Thin Washer	AN960-416L	9
6.	Rubber Bumper	9K13-DRBUMP	9

* Builder modifies

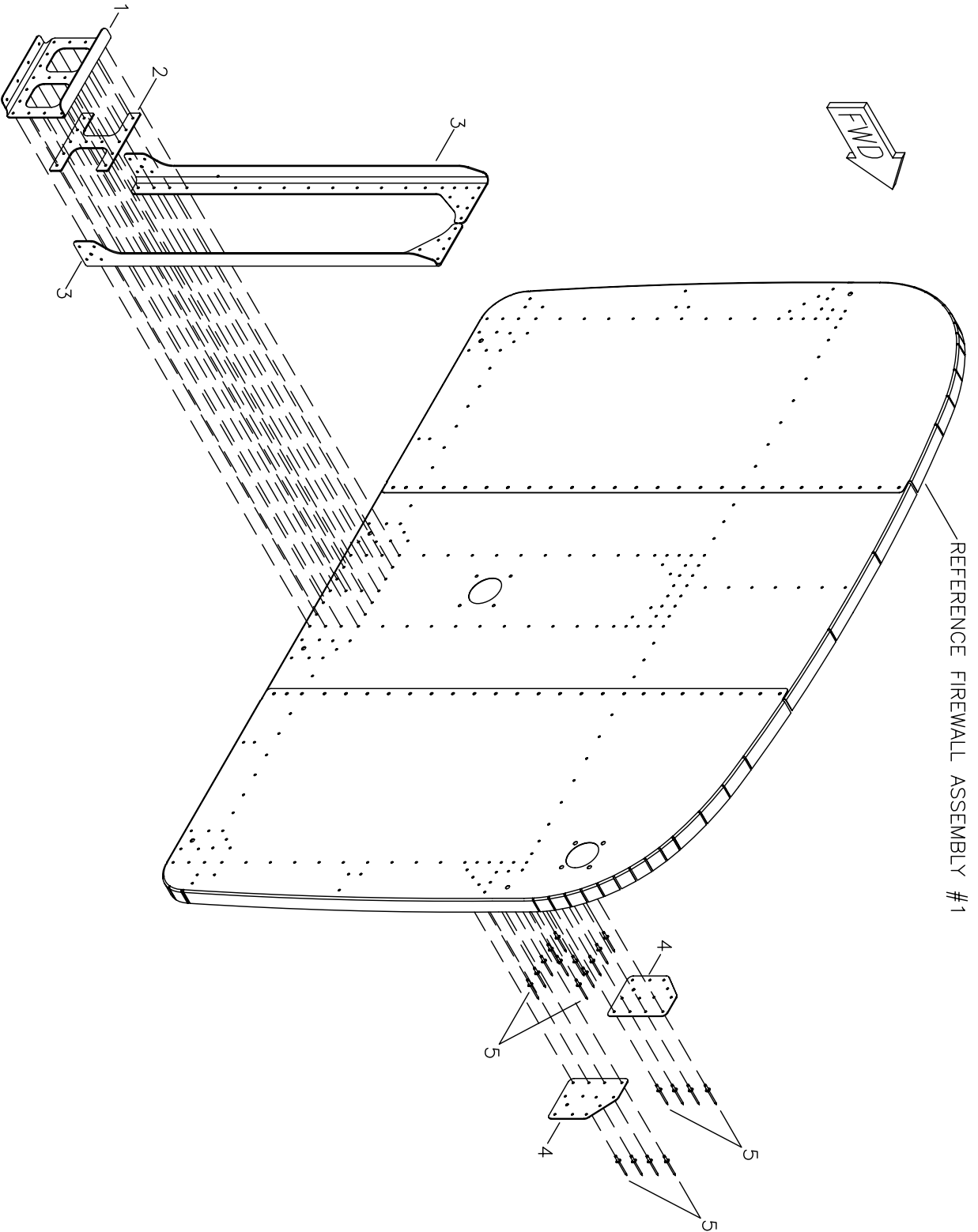
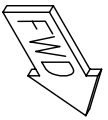


FRPND S-19 VENTERRA
FIREWALL ASSEMBLY #1

MD5040

#	DESCRIPTION	PART NUMBER	QUANTITY
1.	Firewall Side - RH	KPFW0019-R	1
1.	Firewall Side - LH	KPFW0019-L	1
2.	Firewall Center	KPFW0020	1
3.	1/8" Stainless Steel Rivet - Cherry Q	CCPQ-41	32
4.	1/8" Small Brass Washer	AN960-B4	32

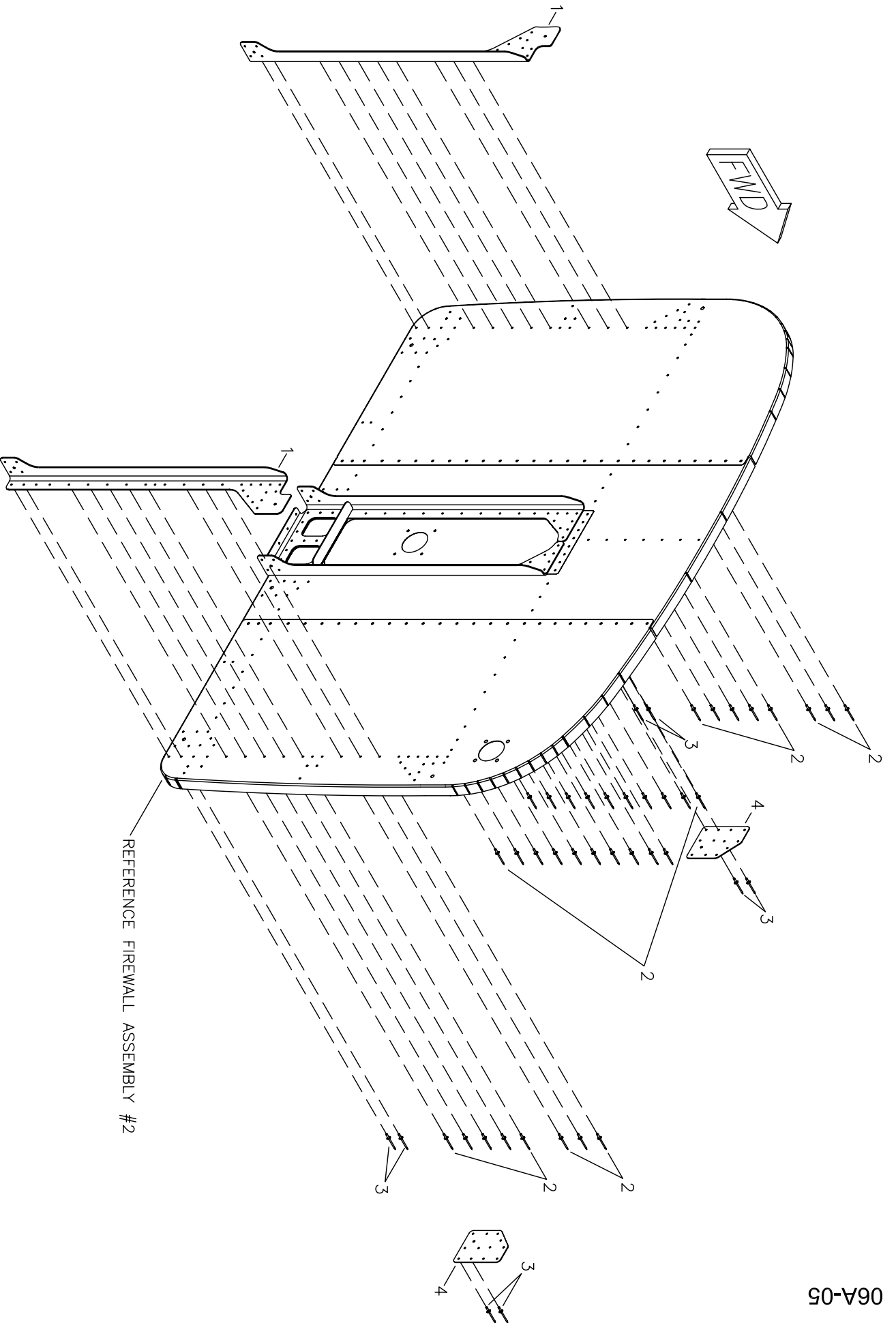
REFERENCE FIREWALL ASSEMBLY #1



**RRRND88 S-19 VENTERRA
FIREWALL ASSEMBLY #2**

MD5040

#	DESCRIPTION	PART NUMBER	QUANTITY
1.	Channel Reinforcement	KPFW0025	1
2.	Plate Reinforcement	KPFW0023	1
3.	Center Angle - Firewall - RH	KPFW0027-R	1
3.	Center Angle - Firewall - LH	KPFW0027-L	1
4.	Plate - Lower Engine/Gear Fitting	KPFU0554	2
5.	1/8" Stainless Steel Rivet - Cherry Q	CCPQ-44	20

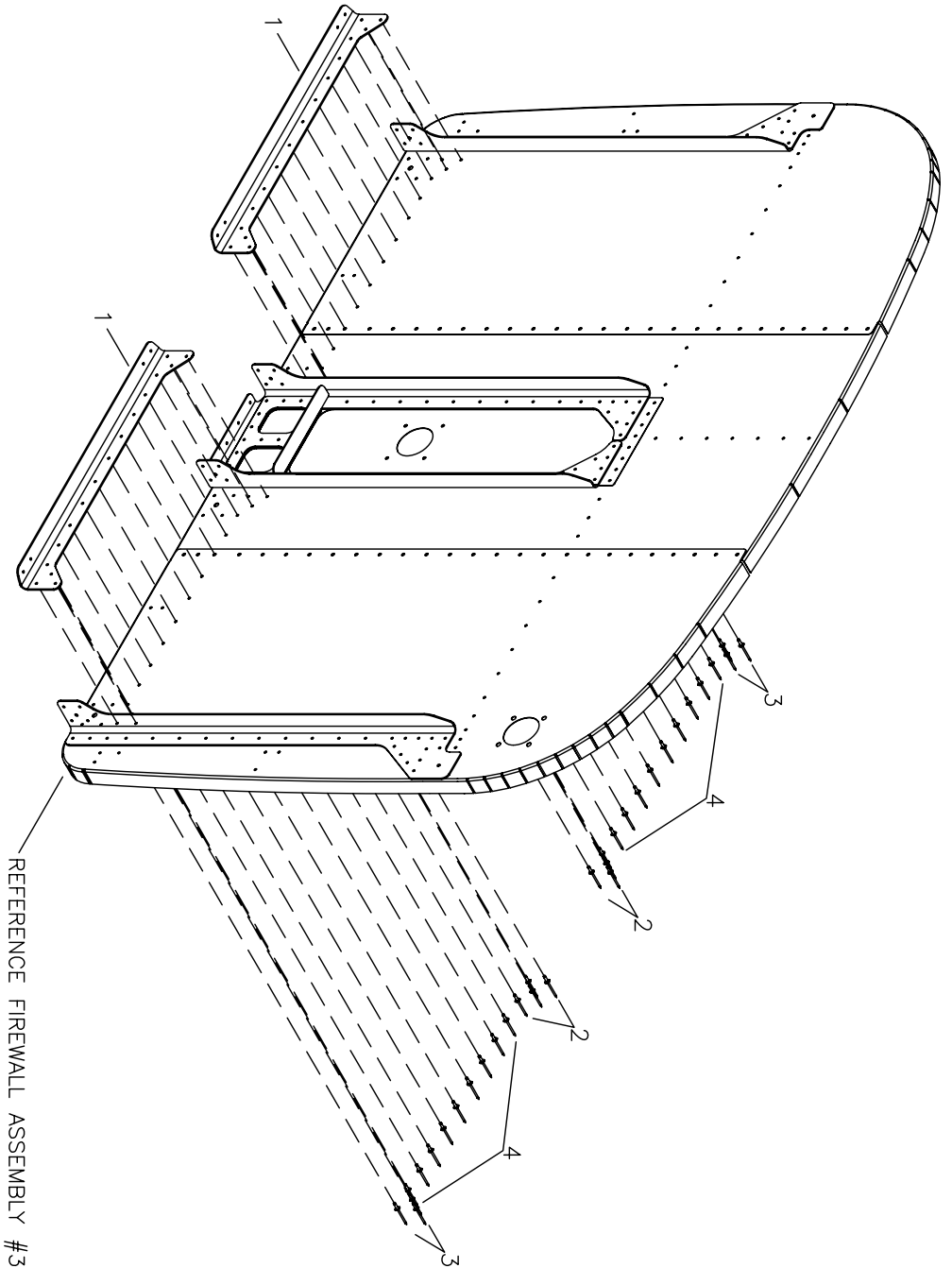
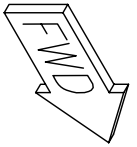


**RR-100 S-19 VENTERRA
FIREWALL ASSEMBLY #3**

REFERENCE FIREWALL ASSEMBLY #2

MD5040

#	DESCRIPTION	PART NUMBER	QUANTITY
1.	Side Angle - Firewall - RH	KPFW0026-R	1
1.	Side Angle - Firewall - LH	KPFW0026-L	1
2.	1/8" Stainless Steel Rivet - Cherry Q	CCPQ-42	36
3.	1/8" Stainless Steel Rivet - Cherry Q	CCPQ-43	4
4.	Plate - Lower Engine/Gear Fitting	KPFU0554	2

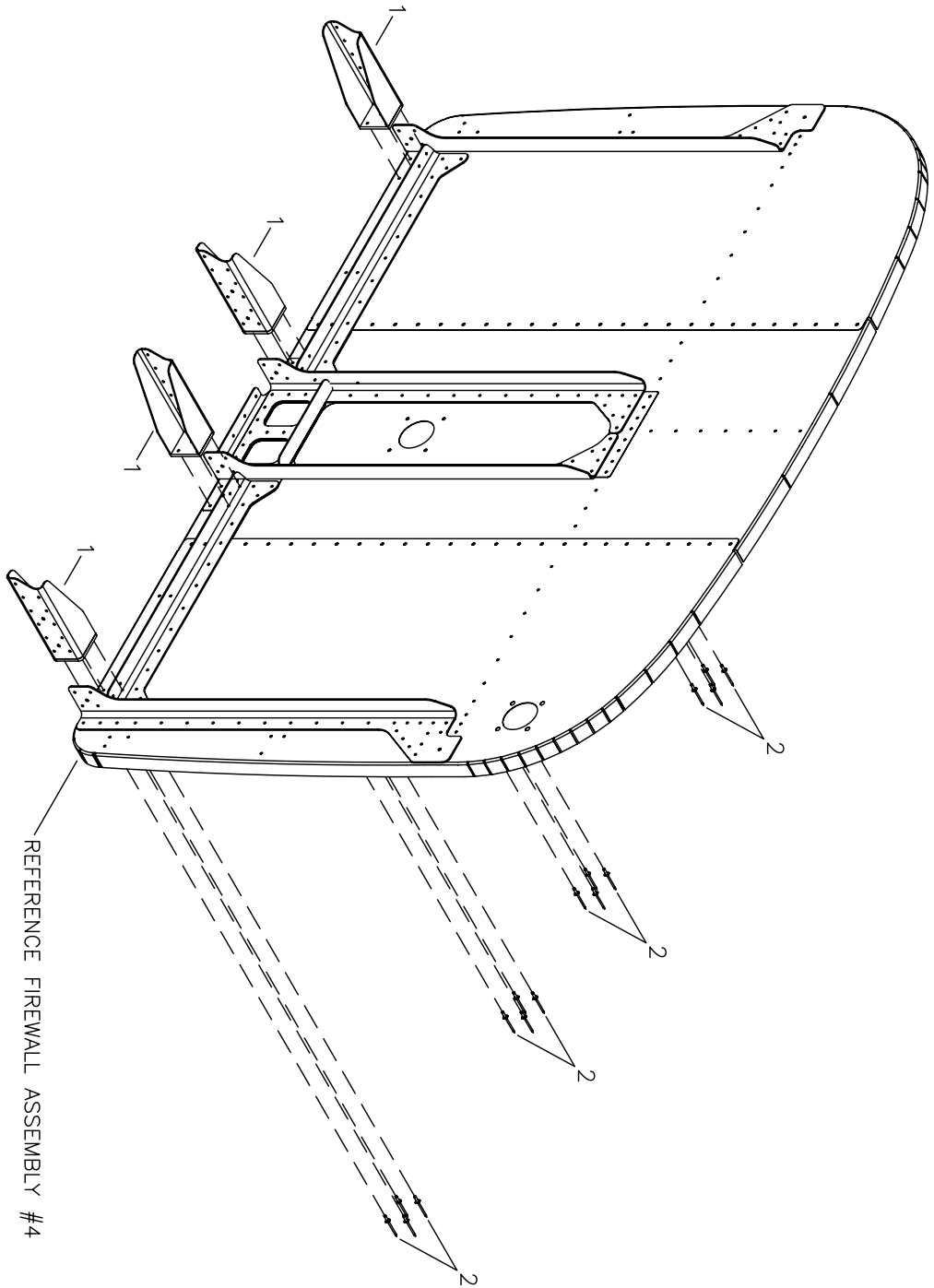
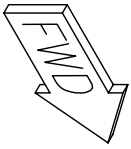


REFERENCE FIREWALL ASSEMBLY #3

RRRND8 S-19 VENTERRA
FIREWALL ASSEMBLY #4

MD5040

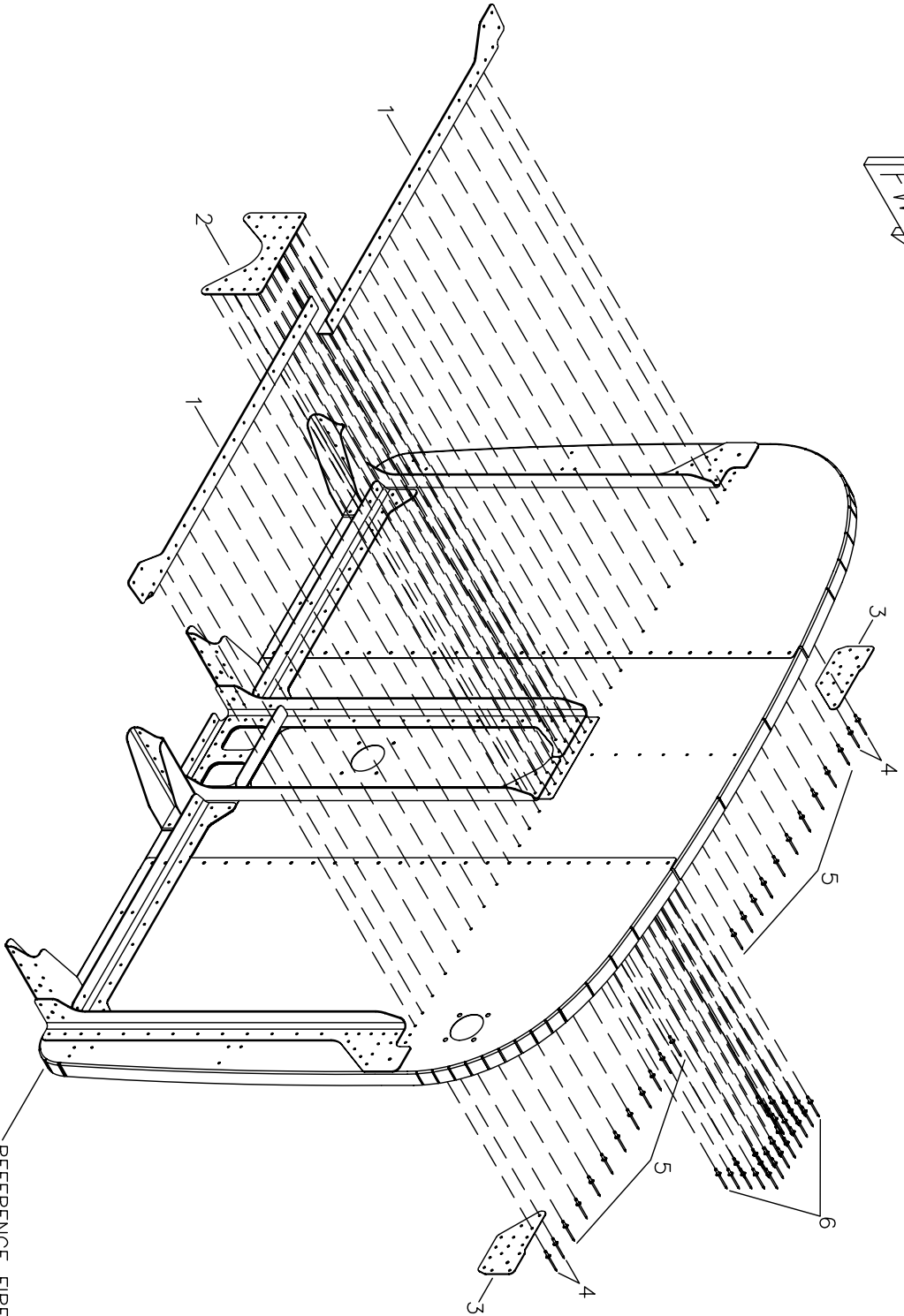
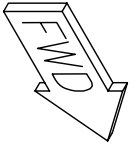
#	DESCRIPTION	PART NUMBER	QUANTITY
1.	Lower Angle - Firewall	KPFW0031	2
2.	1/8" Stainless Steel Rivet - Cherry Q	CCPQ-44	8
3.	1/8" Stainless Steel Rivet - Cherry Q	CCPQ-43	8
4.	1/8" Stainless Steel Rivet - Cherry Q	CCPQ-42	16



**RRFDN08 S-19 VENTERRA
FIREWALL ASSEMBLY #5**

MD5040
REV. A

#	DESCRIPTION	PART NUMBER	QUANTITY
1.	Weldment - Lower Engine/Gear Fitting - RH	KPFU0532-R	2
1.	Weldment - Lower Engine/Gear Fitting - LH	KPFU0532-L	2
2.	1/8" Stainless Steel Rivet - Cherry Q	CCPQ-44	16



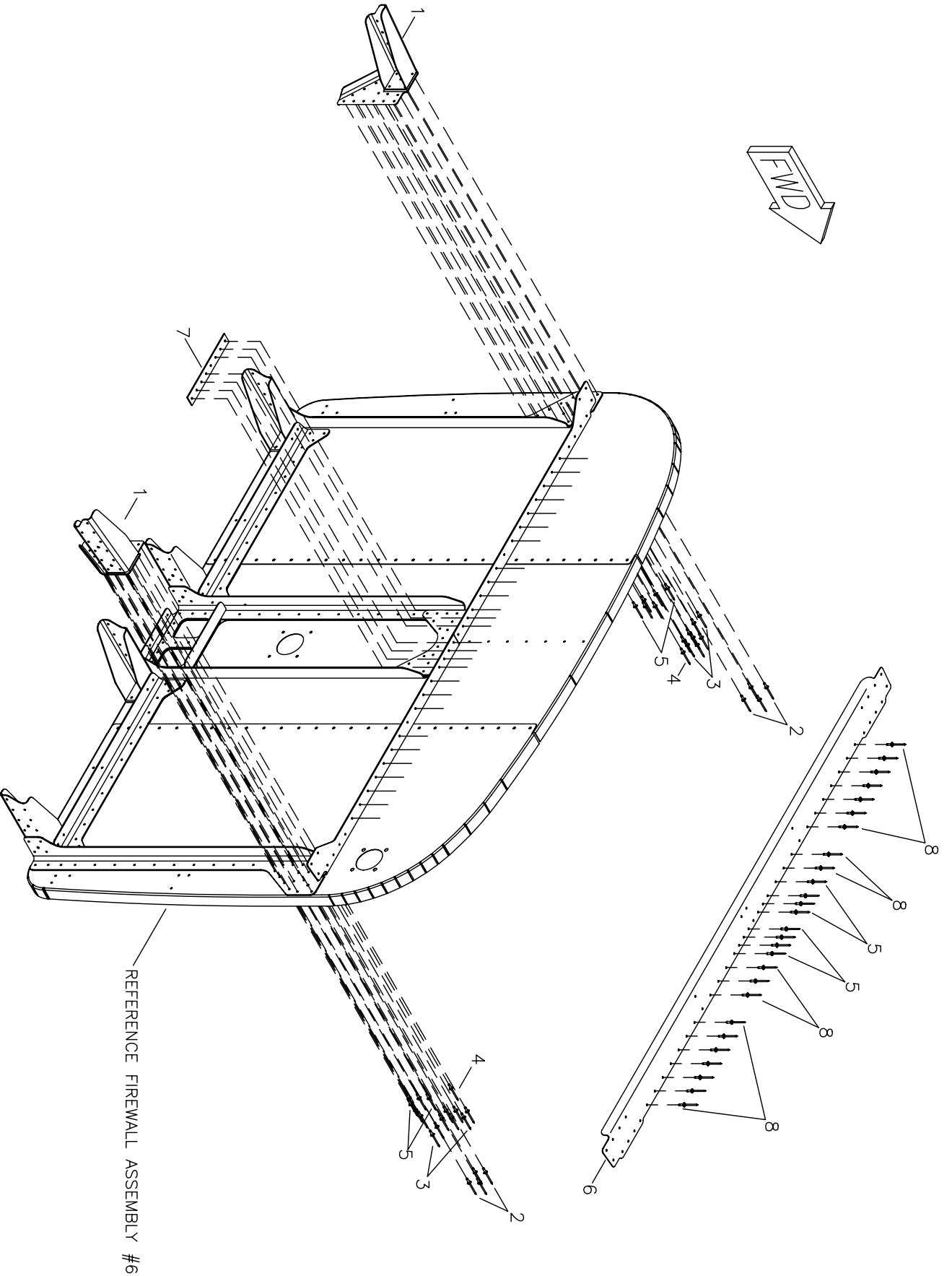
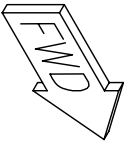
REFERENCE FIREWALL ASSEMBLY #5

RRRND88 S-19 VENTERRA FIREWALL ASSEMBLY #6

MD5040

#	DESCRIPTION	PART NUMBER	QUANTITY
1.	Upper Angle - Firewall - RH	KPFW0028-R	1
1.	Upper Angle - Firewall - LH	KPFW0028-L	1
2.	Gusset *	KPFU0525	1
3.	Plate - Upper Engine Fitting	KPFW0030	2
4.	1/8" Stainless Steel Rivet - Cherry Q	CCPQ-43	4
5.	1/8" Stainless Steel Rivet - Cherry Q	CCPQ-42	20
6.	1/8" Stainless Steel Rivet - Cherry Q	CCPQ-44	26

* Builder modifies



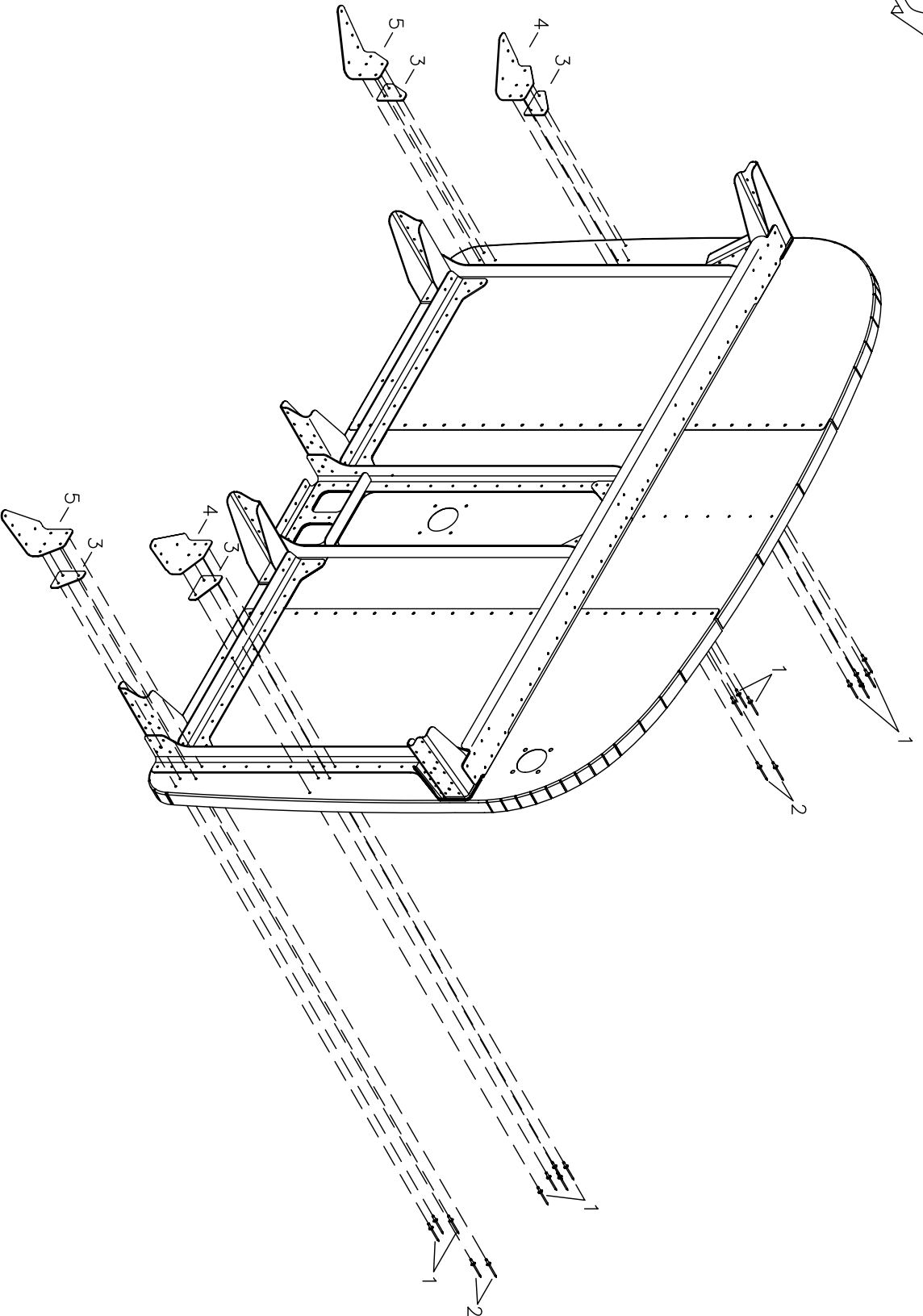
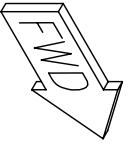
**RRRND88 S-19 VENTERRA
FIREWALL ASSEMBLY #7**

REFERENCE FIREWALL ASSEMBLY #6

MD5040

#	DESCRIPTION	PART NUMBER	QUANTITY
1.	Weldment - Upper Engine Fitting - RH	KPFU0529-R	1
1.	Weldment - Upper Engine Fitting - LH	KPFU0529-L	1
2.	1/8" Stainless Steel Rivet - Cherry Q	CCPQ-45	8
3.	1/8" Stainless Steel Rivet - Cherry Q	CCPQ-44	16
4.	1/8" Stainless Steel Rivet - Cherry Q	CCPQ-41	2
5.	1/8" Stainless Steel Rivet - Cherry Q	CCPQ-43	19
6.	Cross Brace - Firewall	KPFW0021	1
7.	Gusset *	KPFU0525	0
8.	1/8" Aluminum Rivet - Cherry Q	AAPQ-42	20

* Builder modifies

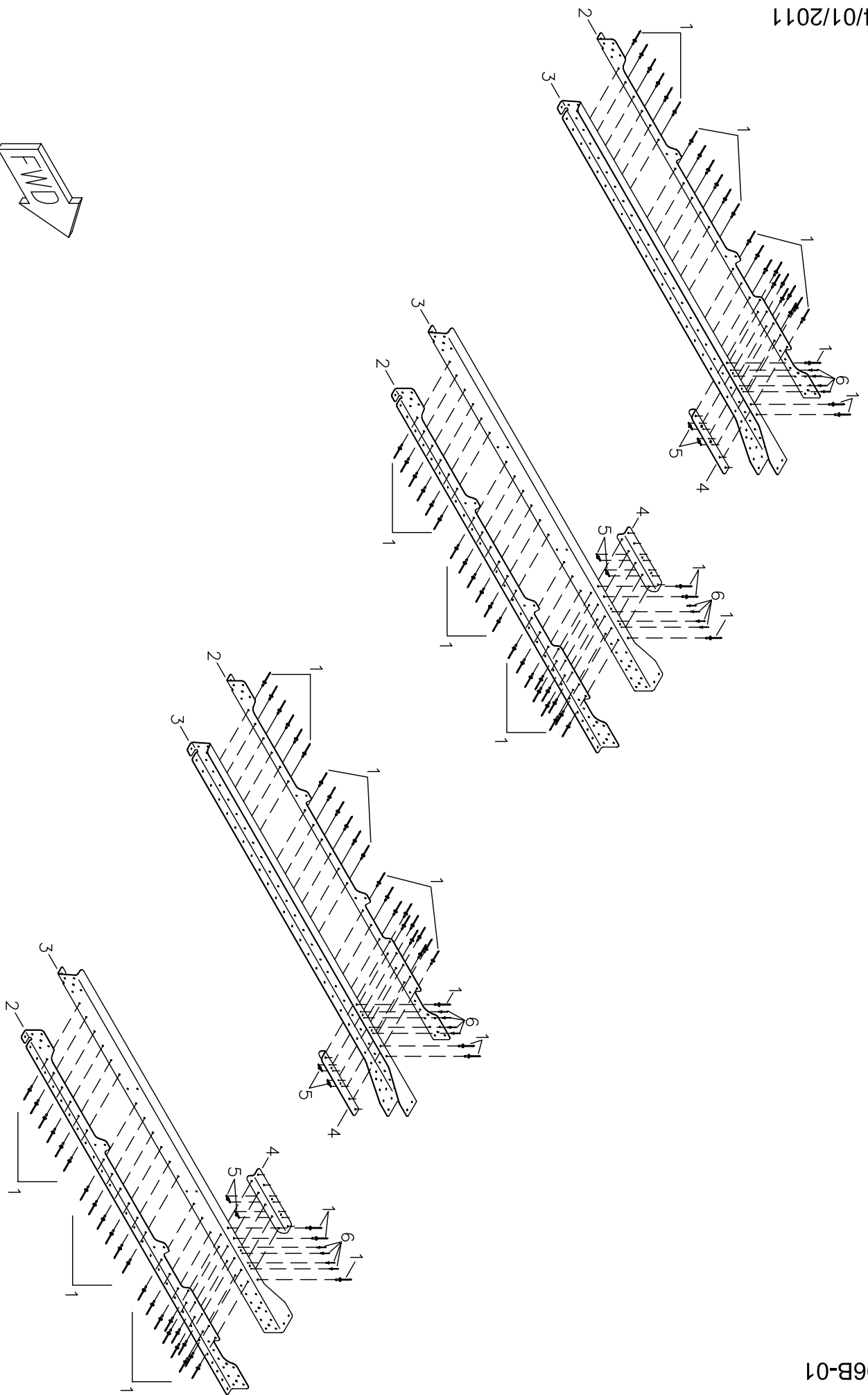


**RRFDNDS S-19 VENTERRA
FIREWALL ASSEMBLY #8**

MD5040

#	DESCRIPTION	PART NUMBER	QUANTITY
1.	1/8" Stainless Steel Rivet - Cherry Q	CCPQ-43	16
2.	1/8" Stainless Steel Rivet - Cherry Q	CCPQ-44	4
3.	Spacer - Stiffener*	KPFU0567	1
4.	Clip Stiffener Attach - RH	KPFU0565-R	1
4.	Clip Stiffener Attach - LH	KPFU0565-L	1
5.	Clip Stiffener Attach - RH	KPFU0566-R	1
5.	Clip Stiffener Attach - LH	KPFU0566-L	1

* Builder modifies

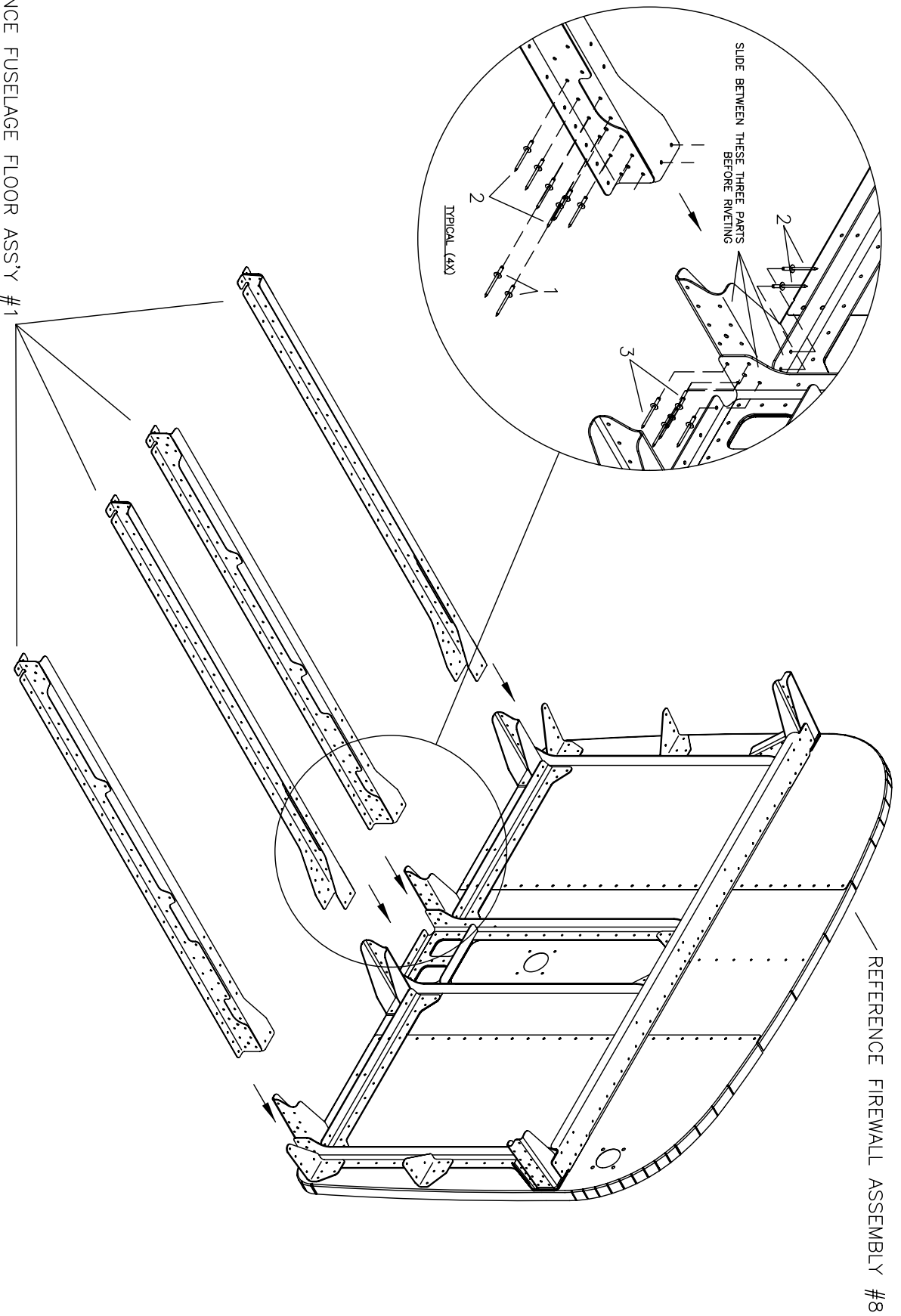


R3P1008 S-19 VENTERRA
FUSELAGE FLOOR ASSEMBLY #1

MD5050

#	DESCRIPTION	PART NUMBER	QUANTITY
1.	1/8" Aluminum Rivet - Cherry Q	AAPQ-42	112
2.	Angle - Floor Reinforcement - RH	KPFU0535-R	2
2.	Angle - Floor Reinforcement - LH	KPFU0535-L	2
3.	Channel - Floor Reinforcement - RH	KPFU0639-R	2
3.	Channel - Floor Reinforcement - LH	KPFU0639-L	2
4.	Angle - Pedal Attach *	KPCS0245	2
5.	3/16" Nut Plate	K-1000-3	8
6.	3/32" Aluminum Rivet	40APR1/8	16

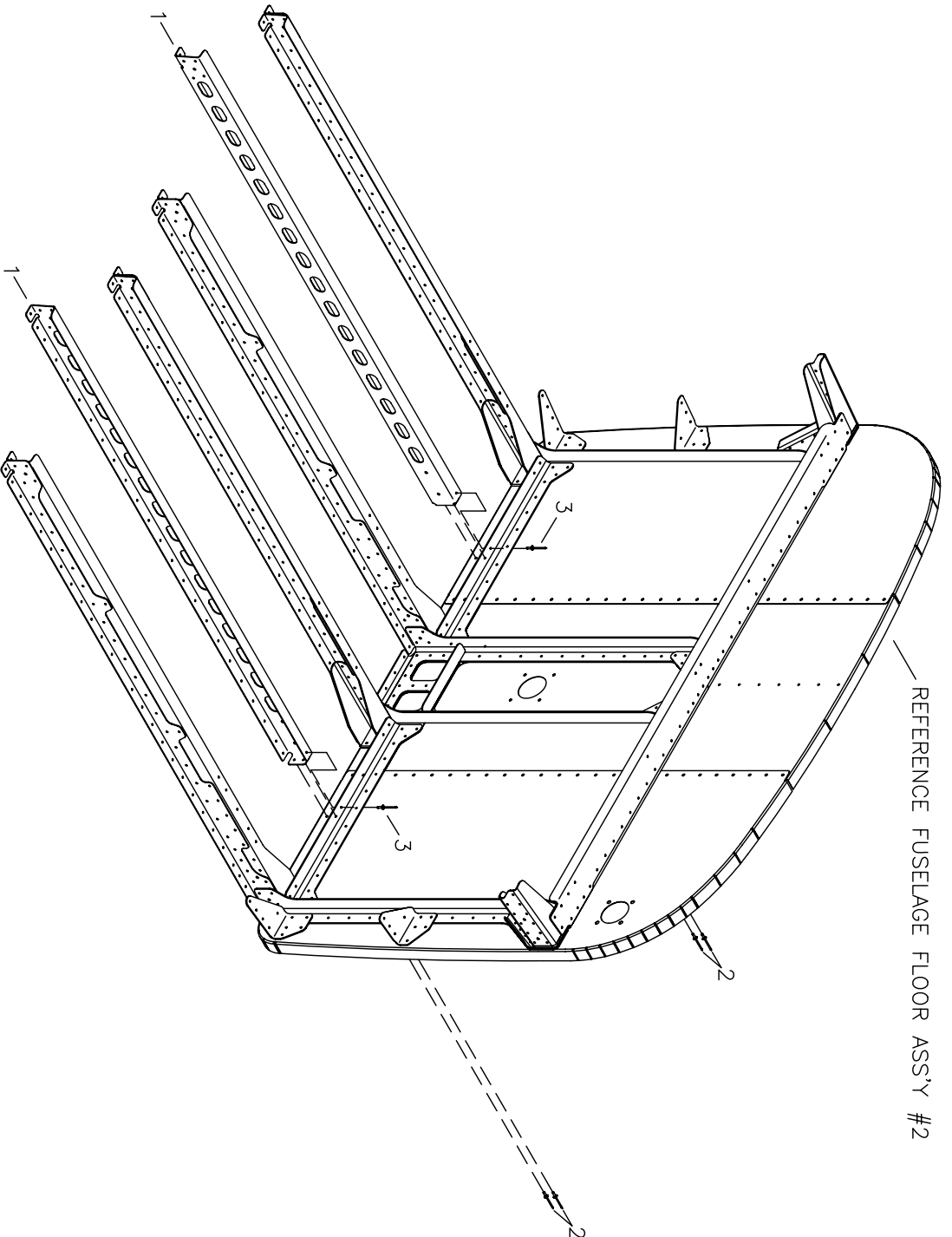
* Builder modifies



RRRND08 S-19 VENTERRA
FUSELAGE FLOOR ASSEMBLY #2

MD5050

#	DESCRIPTION	PART NUMBER	QUANTITY
1.	1/8" Stainless Steel Rivet - Cherry Q	CCPQ-42	8
2.	1/8" Stainless Steel Rivet - Cherry Q	CCPQ-43	32
3.	1/8" Stainless Steel Rivet - Cherry Q	CCPQ-44	20

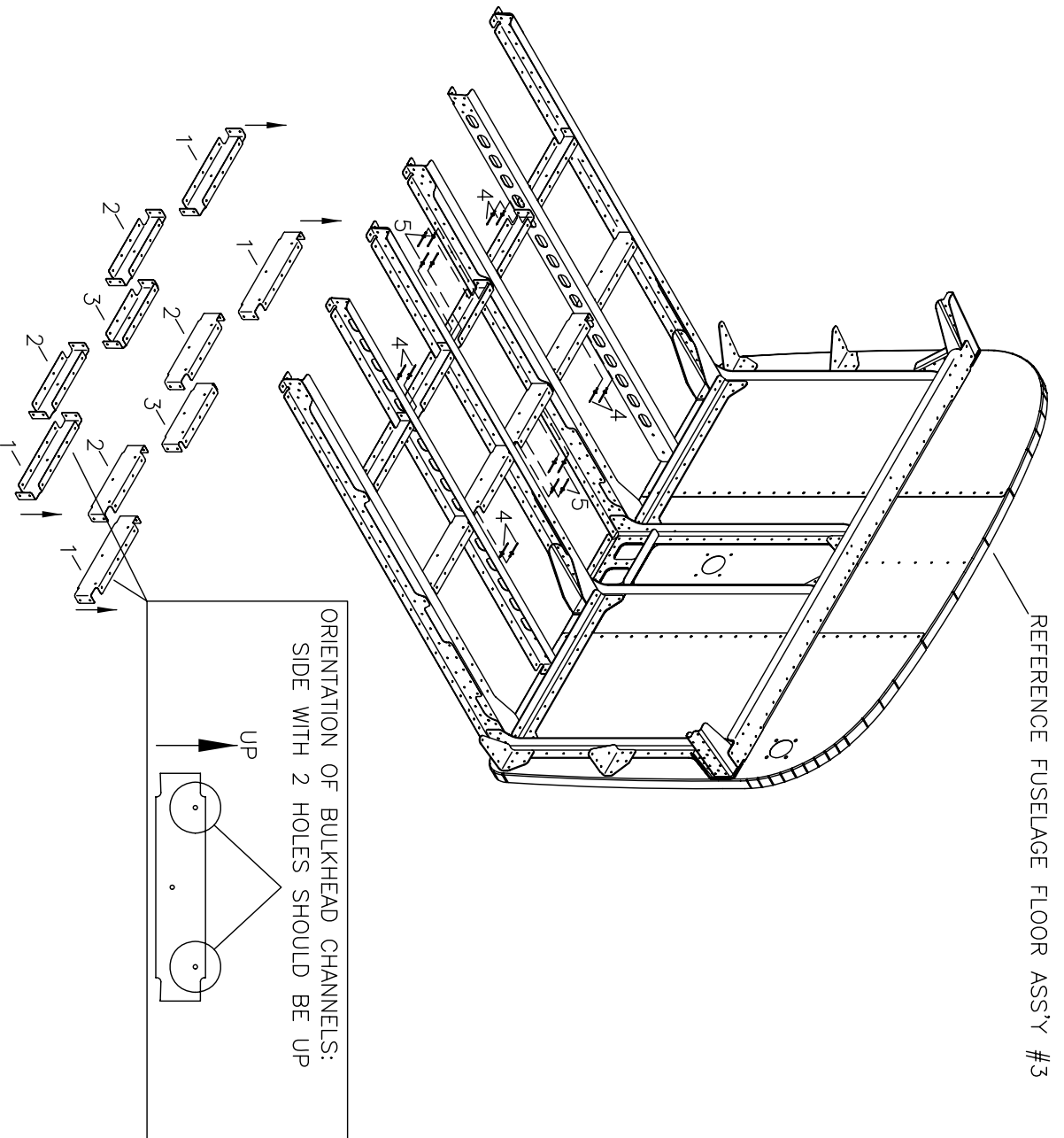


REFERENCE FUSELAGE FLOOR ASS'Y #2

RRANDS S-19 VENTERRA
FUSELAGE FLOOR ASSEMBLY #3

MD5050

#	DESCRIPTION	PART NUMBER	QUANTITY
1.	Channel - Floor Reinforcement - RH	KPFU0640-R	1
1.	Channel - Floor Reinforcement - LH	KPFU0640-L	1
2.	1/8" Stainless Steel Rivet - Cherry Q	CCPQ-41	4
3.	1/8" Aluminum Rivet - Cherry Q	AAPQ-42	2



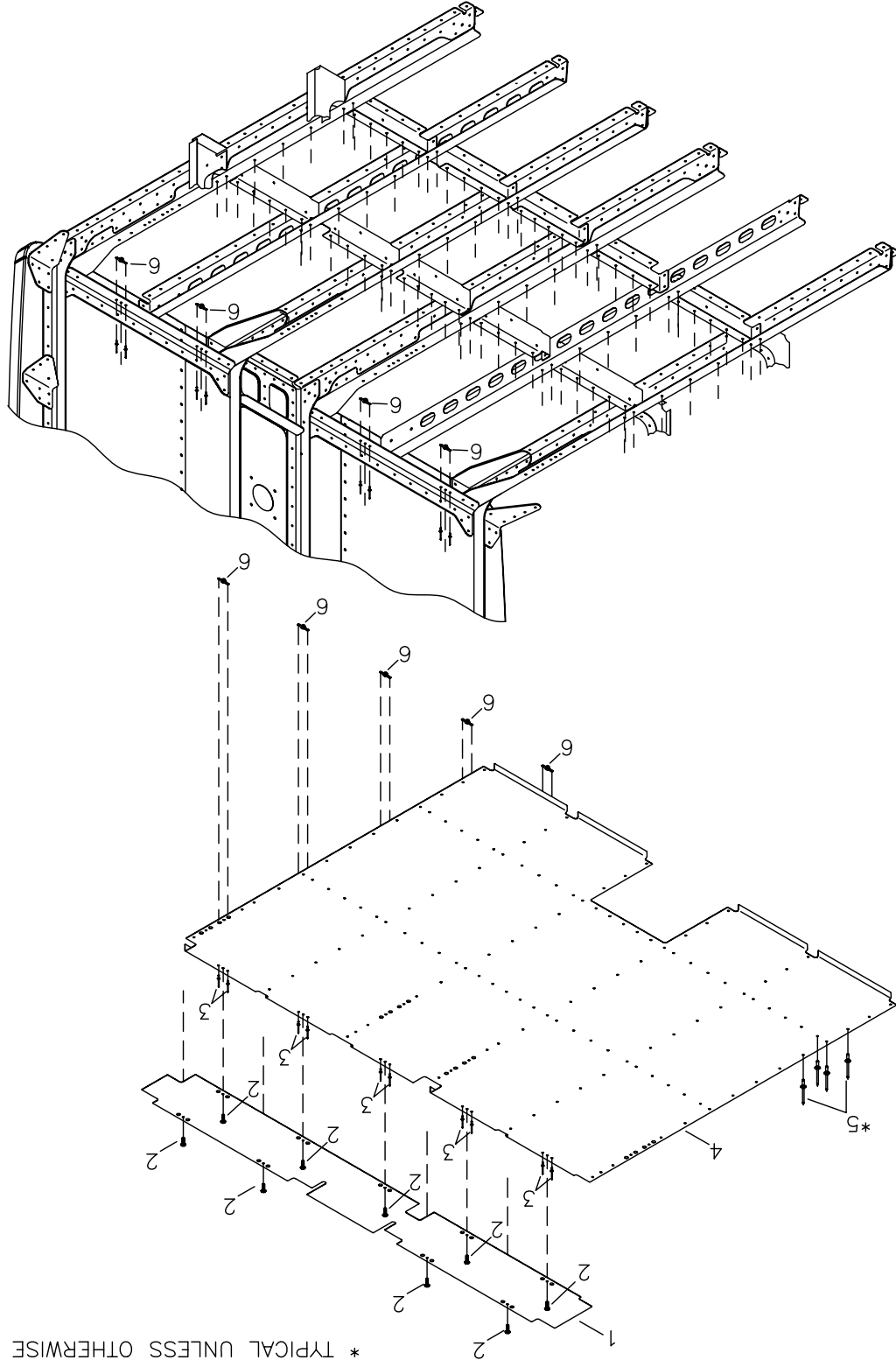
RRPN08 S-19 VENTERRA
FUSELAGE FLOOR ASSEMBLY #4

MD5050

#	DESCRIPTION	PART NUMBER	QUANTITY
1.	Bulkhead Channel - Outer	KPFU0562	4
2.	Bulkhead Channel - Middle	KPFU0564	4
3.	Bulkhead Channel - Center	KPFU0563	2
4.	1/8" Aluminum Rivet - Cherry Q	AAPQ-42	8
5.	1/8" Aluminum Rivet - Cherry Q	AAPQ-44	8

RPM S-19 VENTURA FLOORBOARD INSTALLATION #1

MD5067

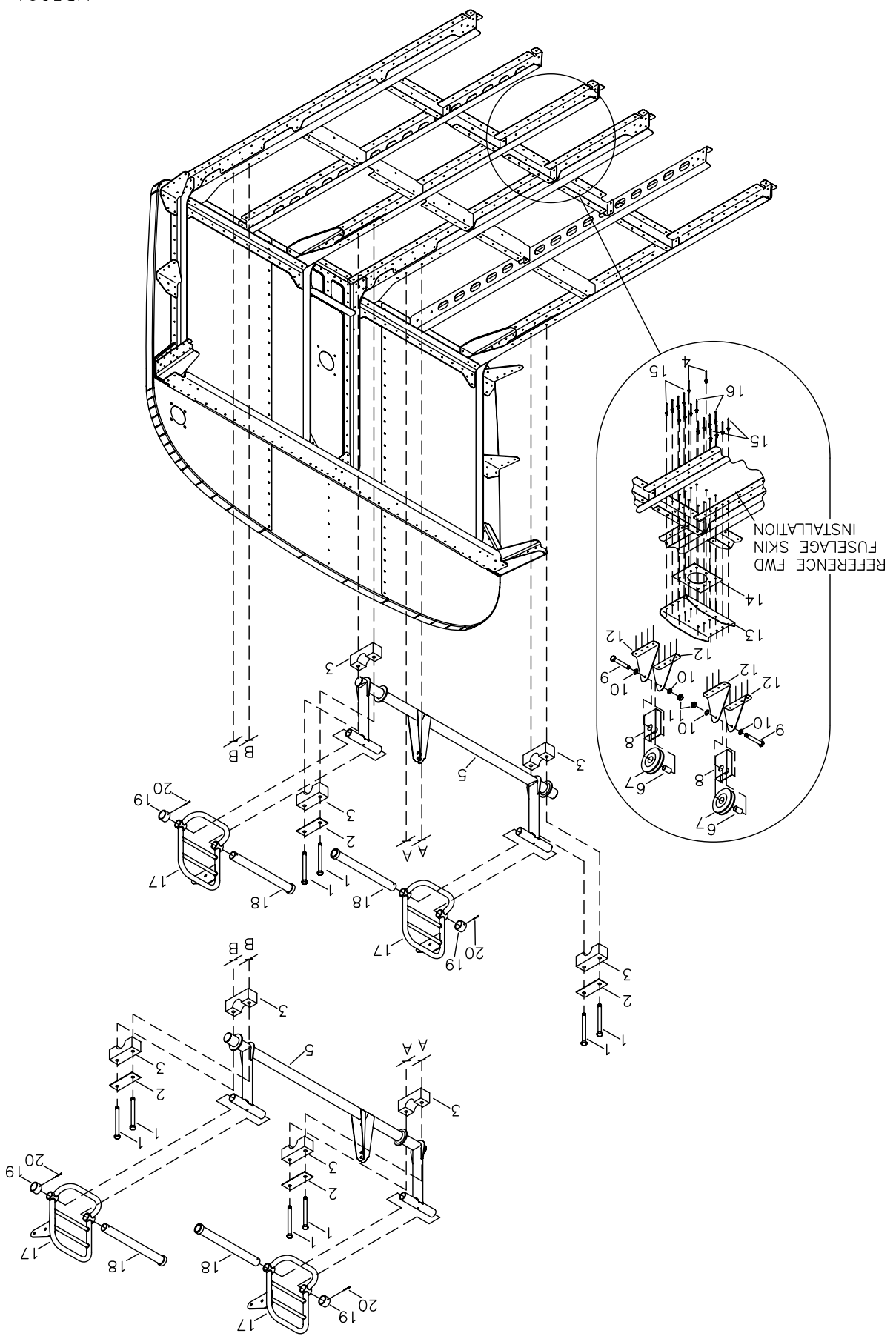


* TYPICAL UNLESS OTHERWISE SHOWN

#	DESCRIPTION	PART NUMBER	QUANTITY
1.	Floorboard Inspection Panel	KPFU0638	1
2.	#8 Trusshead Screw	AN526-832R6	9
3.	3/32" Aluminum Rivet	40APR1/8	18
4.	Floorboard	KPFU0637	1
5.	1/8" Aluminum Rivet - Avex	1691-0410	130
6.	#8 Nut Plate	MS21047-08	9

RANS S-19 VENTRA RUDDER PEDAL/BRAKE INSTALLATION #1

MD5061



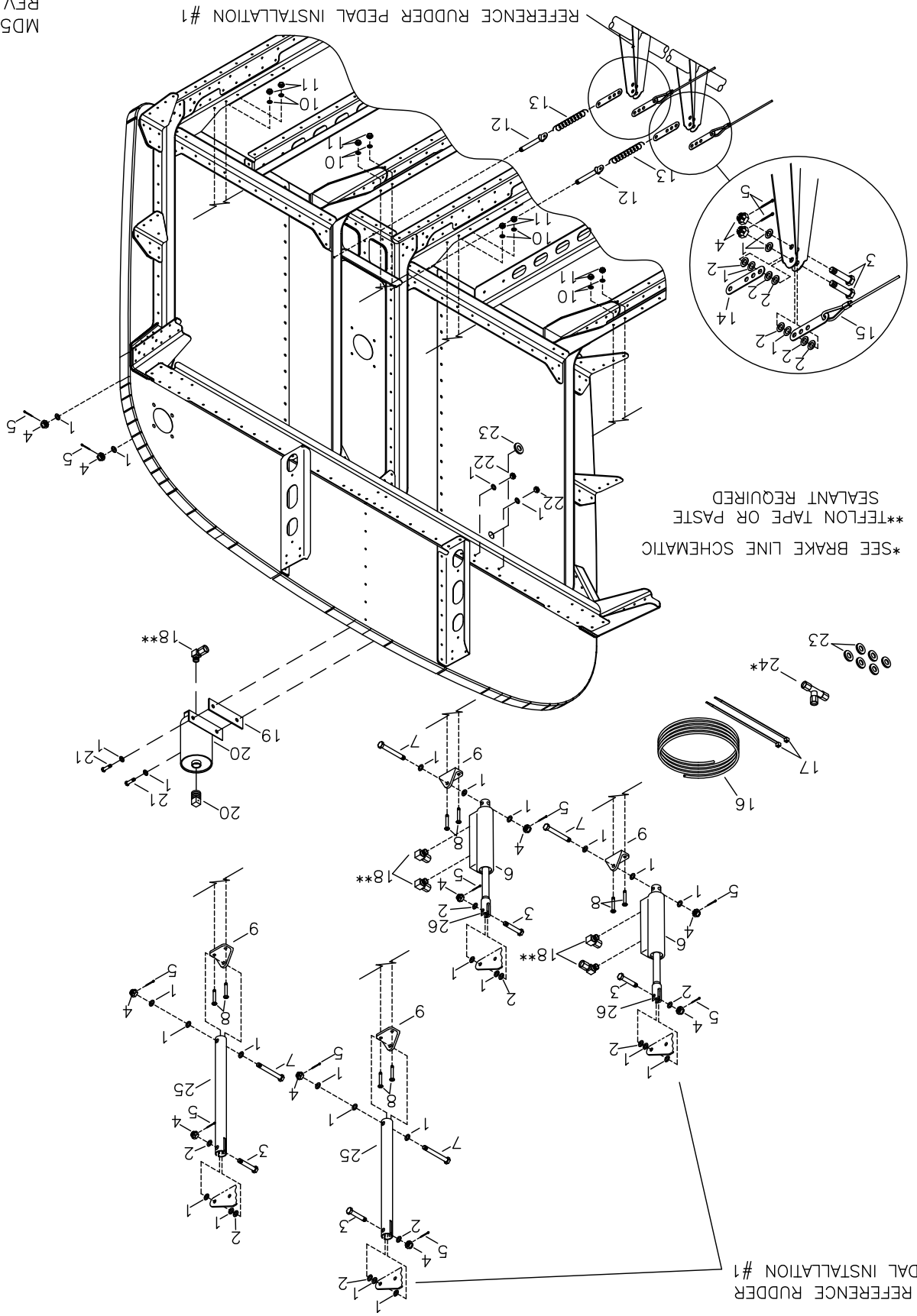
#	DESCRIPTION	PART NUMBER	QUANTITY
1.	3/16" Bolt	AN3-20A	8
2.	Plate - Bearing Block *	KPRD0077	1
3.	Bearing Block - Rudder Pedal	KPCS0243	8
4.	1/8" Aluminum Rivet - Cherry Q	AAPQ-42	2
5.	Rudder Pedal Assembly	KACS0033	2
6.	Bushing - 1/4" x .028" x 1/2" **	KAAC0044-2	0
7.	Pulley	AN210-3A	2
8.	Cable Keeper *	KPCS0257	1
9.	3/16" Bolt	AN3-10A	2
10.	3/16" Thin Washer	AN960-10L	4
11.	3/16" Shear Nut	AN364-1032A	2
12.	Pulley Attach Bracket - RH	KPRD0084-R	2
12.	Pulley Attach Bracket - LH	KPRD0084-L	2
13.	Channel - Pulley Attach	KPRD0083	1
14.	Spacer - Pulley Attach	KPRD0085	1
15.	1/8" Stainless Steel Rivet - Cherry Q	CCPQ-43	8
16.	1/8" Aluminum Rivet - Cherry Q	AAPQ-43	8
17.	Rudder Pedal - LH	KPRD0088-L	2
17.	Rudder Pedal - RH	KPRD0088-R	2
18.	Rudder Pedal Pin	KPRD0043	4
19.	Bushing - 5/8" x .058" x 3/8" **	KAAC0044-7	0
20.	Cotter Pin - Large	MS24665-285	4

* Builder modifies

** Builder fabricates from raw stock.

RANDS S-19 VENTURA RUDDER PEDAL/BRAKE INSTALLATION #2 STANDARD PILOT SIDE

MD5061
REV. A



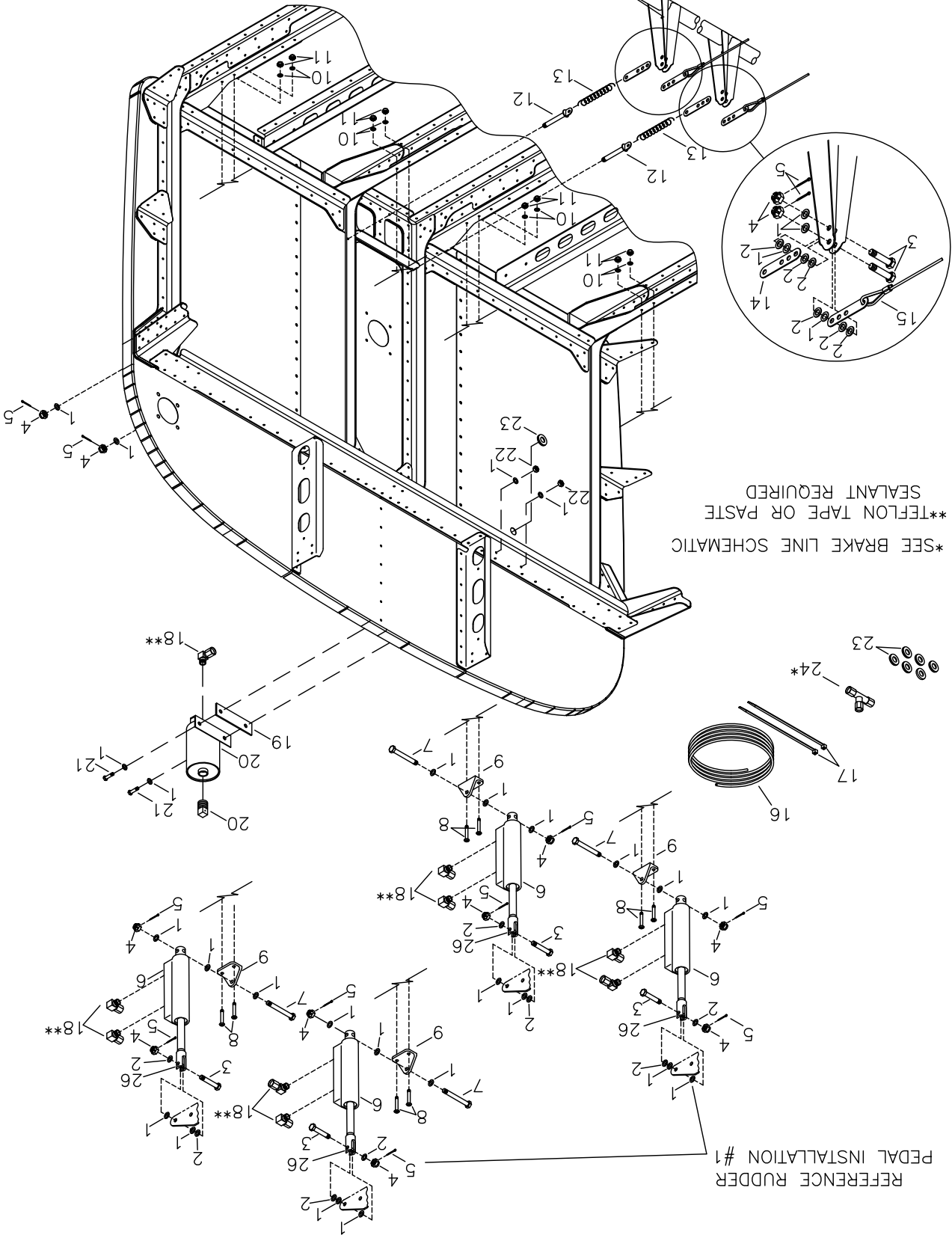
*SEE BRAKE LINE SCHEMATIC
**TEFLON TAPE OR PASTE
SEALANT REQUIRED

REFERENCE RUDDER
PEDAL INSTALLATION #1

RANS S-19 VENTURA RUDDER PEDAL/BRAKE INSTALLATION #2 OPTIONAL DUAL

MD5061
REV. A

REFERENCE RUDDER PEDAL INSTALLATION #1



*SEE BRAKE LINE SCHEMATIC
**TEFLON TAPE OR PASTE
SEALANT REQUIRED

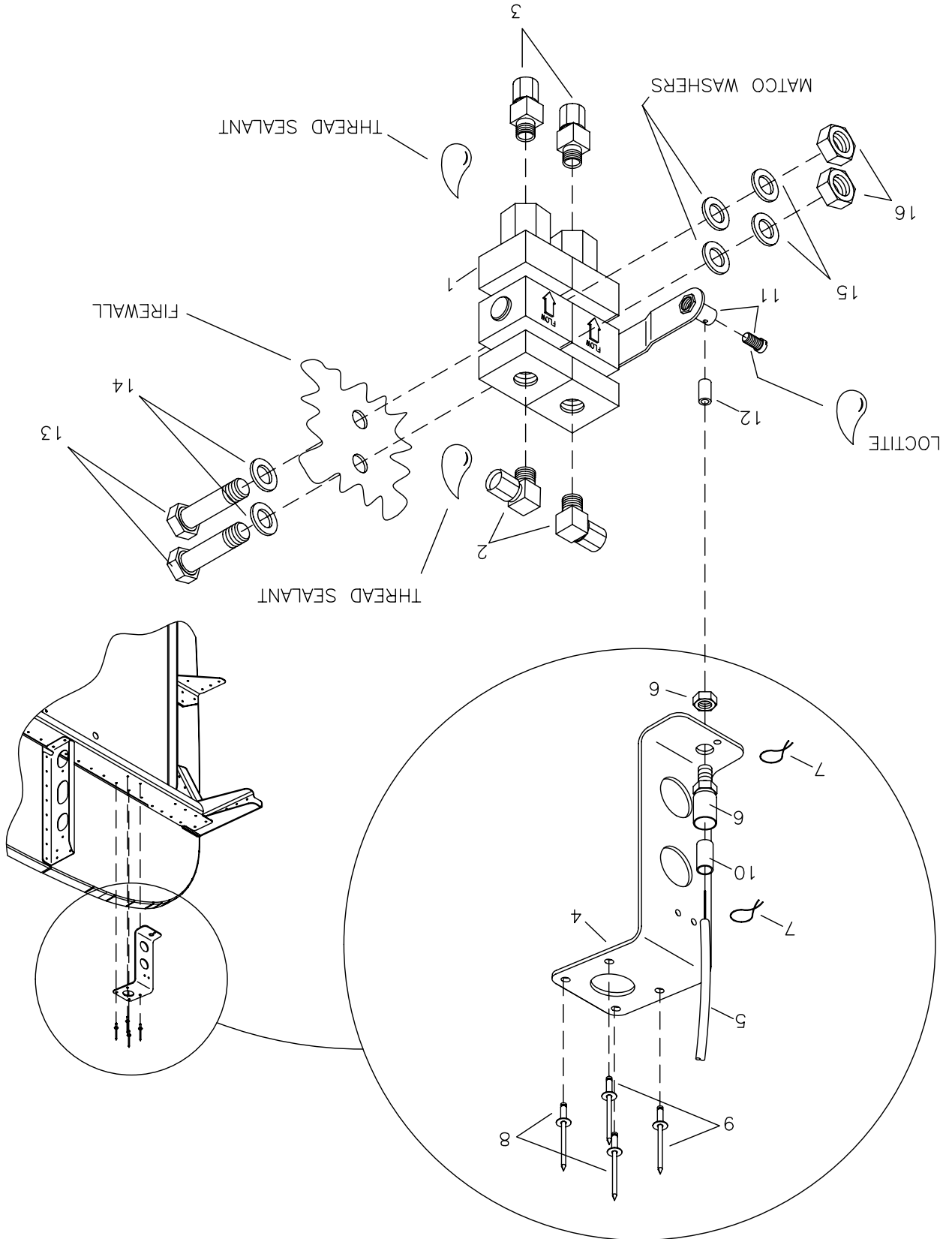
REFERENCE RUDDER
PEDAL INSTALLATION #1

#	DESCRIPTION	PART NUMBER	QUANTITY
1.	3/16" Thin Washer	AN960-10L	34
2.	3/16" Thick Washer	AN960-10	20
3.	3/16" Bolt	AN3-6	8
4.	3/16" Castle Nut	AN310-3	14
5.	Cotter Pin - Small	MS24665-134	14
6.	Brake Cylinder (+2 Opt. Dual Brakes)	KSBS0031	2
7.	3/16" Bolt	AN3-10	4
8.	#8 Pan Head Machine Screw	MS27039-0809	8
9.	Mount Bracket	KPAC0221	4
10.	#8 Brass Washer	AN960-B8	8
11.	8-32 Shear Nut	AN364-832A	8
12.	3/16" Eye Bolt	AN42B-4	2
13.	Rudder Return Spring	KSRD0001	2
14.	Multi-Hole Tang	ST-16-FLAT	2
15.	Rudder Cable	KPRD0087	2
16.	Hydraulic Brake Line (30 ft. Opt. Dual Brakes)	KSBS0019	26 ft.
17.	Nylon Tie	N-TIES	2
18.	90-Degree Fitting (+4 Opt. Dual Brakes)	KSBS0017	5
19.	Brake Reservoir Shim	KPBS0037	1
20.	Brake Reservoir	KSBS0034	1
21.	3/16" Bolt	AN3-4A	2
22.	3/16" Shear Nut	AN364-1032A	2
23.	1/4" Rubber Grommet	MS35489-6	7
24.	Tee Fitting	KSBS0021	1
25.	1/2" x .035 Alum Tube (-1 Opt. Dual Brakes) *	KAAC0044-8	0
26.	Clevis - Brake Cylinder (+2 Opt. Dual Brakes)	KSBS0039	2

* Builder fabricates from raw stock.

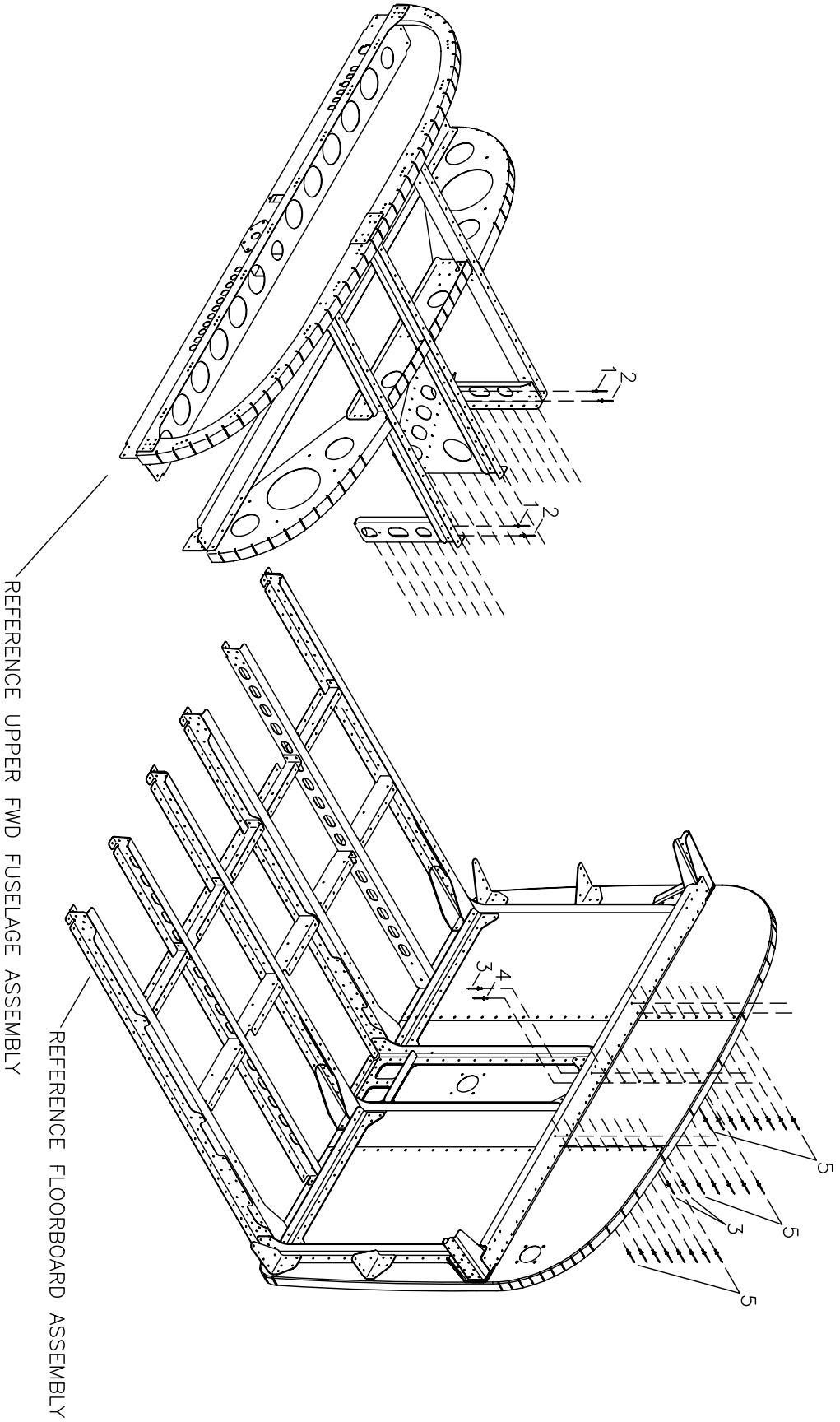
RAND S-19 VENTERA OPTIONAL PARKING BRAKE INSTALLATION

MD5500



#	DESCRIPTION	PART NUMBER	QUANTITY
1.	Park Brake	KSBS0007	1
2.	90-Degree Fitting	KSBS0017	2
3.	Straight Fitting	KSBS0018	2
4.	Park Brake Cable Bracket	KPBS0043	1
5.	Control Cable	4-336	1
6.	Adjustable Cable Ferrule	12553	1
7.	Safety Wire *	-----	0
8.	1/8" Aluminum Rivet - Cherry Q	AAPQ-42	2
9.	1/8" Aluminum Rivet - Cherry Q	AAPQ-43	2
10.	Cable Conduit Ferrule End Cap	80-0002-01	1
11.	Wire Swivel/Screw Stop	2361	1
12.	1/8" Primer Line	PRIMER LINE	0.5 in.
13.	3/16" Bolt	AN3-11A	2
14.	3/16" Thick Washer	AN960-10	2
15.	3/16" Thin Washer	AN960-10L	2
16.	3/16" Shear Nut	AN364-1032A	2

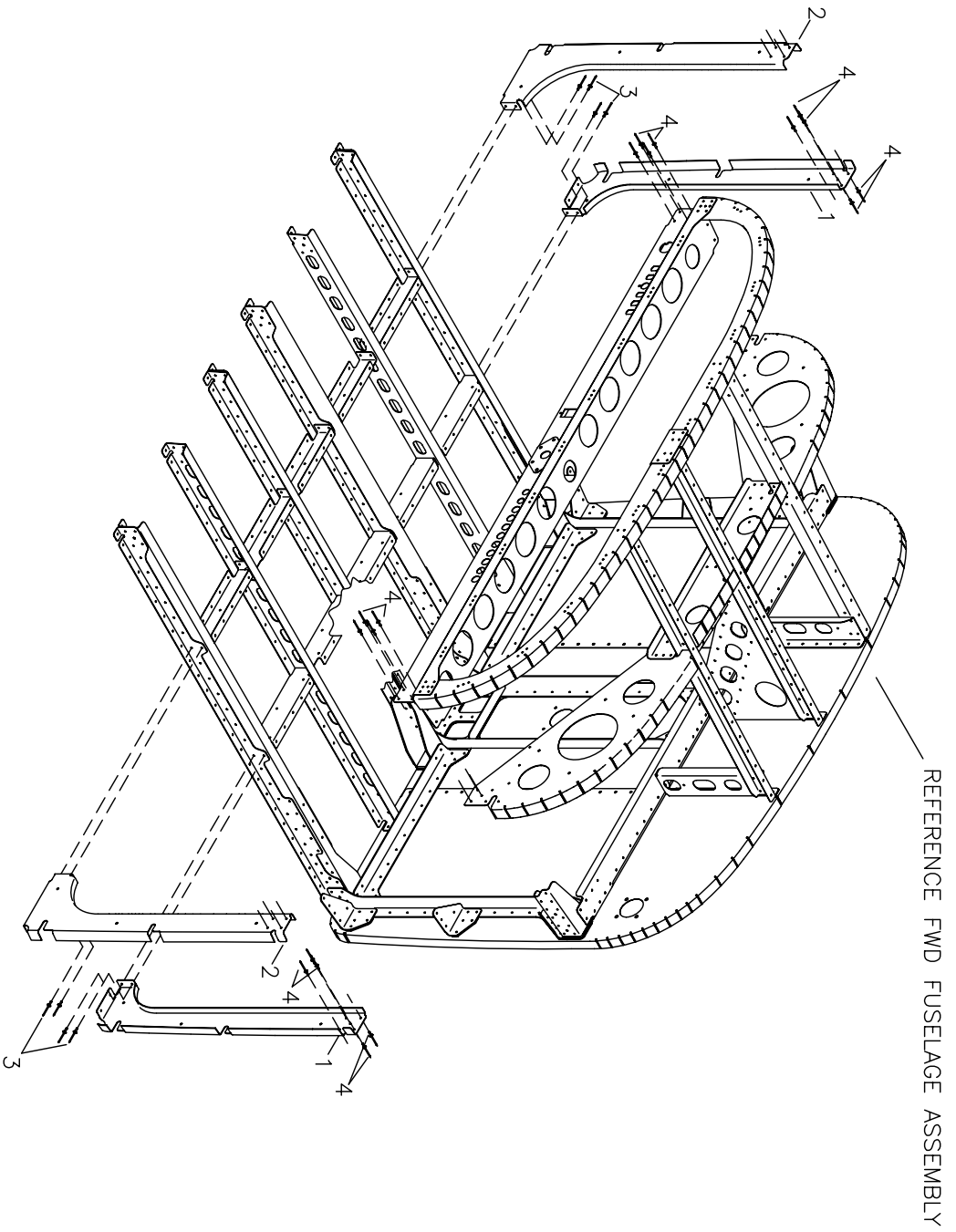
* Builder Supplied



RRFDN08 S-19 VENTERRA
FWD FUSELAGE ASSEMBLY #1

MD5051

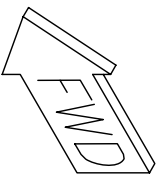
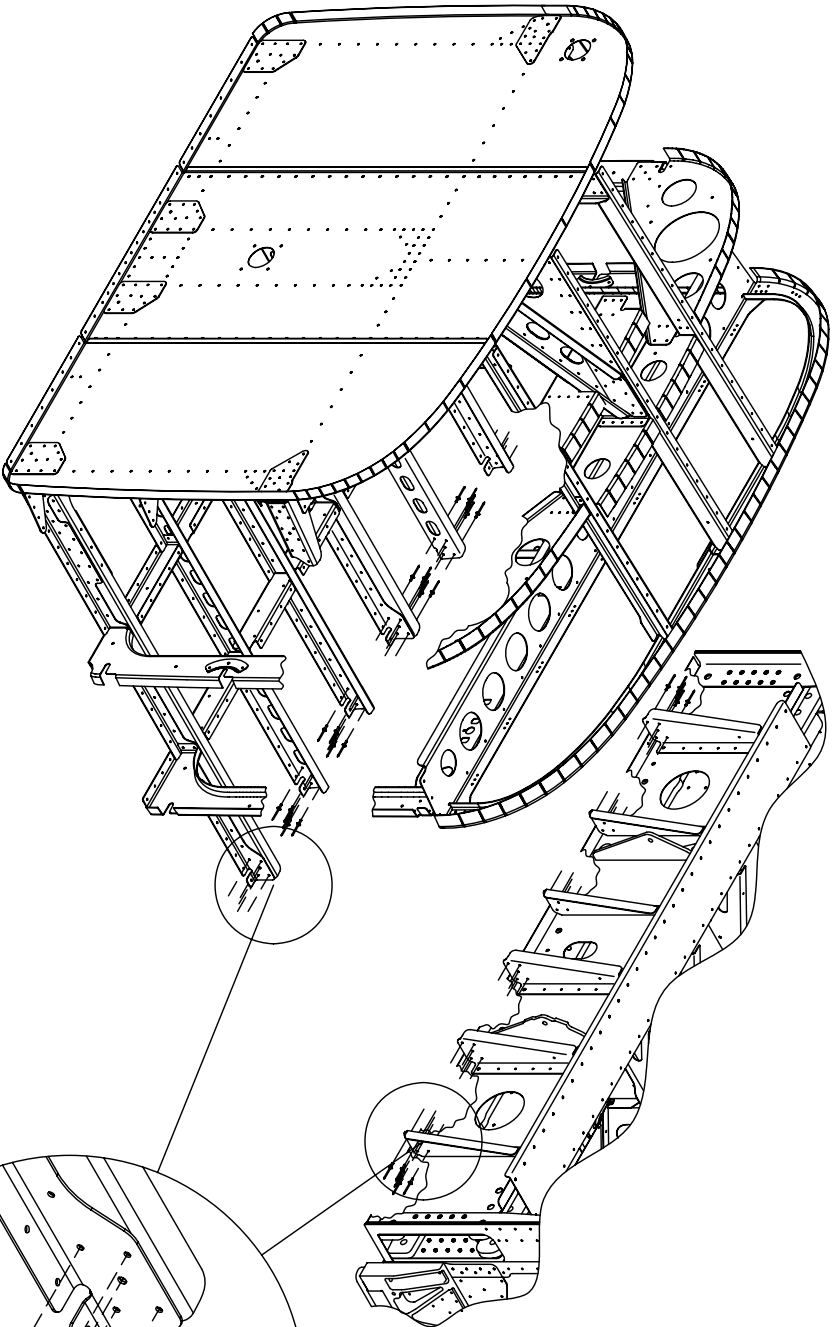
#	DESCRIPTION	PART NUMBER	QUANTITY
1.	1/8" Aluminum Rivet - Cherry Q	AAPQ-42	2
2.	1/8" Aluminum Rivet - Cherry Q	AAPQ-43	2
3.	1/8" Stainless Steel Rivet - Cherry Q	CCPQ-42	3
4.	1/8" Stainless Steel Rivet - Cherry Q	CCPQ-44	1
5.	1/8" Stainless Steel Rivet - Cherry Q	CCPQ-41	21



RRRNDG S-19 VENTERRA
FWD FUSELAGE ASSEMBLY #2

MD5051

#	DESCRIPTION	PART NUMBER	QUANTITY
1.	Bulkhead Side - RH	KPFU0558-R	1
1.	Bulkhead Side - LH	KPFU0558-L	1
2.	Bulkhead Side - RH	KPFU0557-R	1
2.	Bulkhead Side - LH	KPFU0557-L	1
3.	1/8" Aluminum Rivet - Cherry Q	AAPQ-45	8
4.	1/8" Aluminum Rivet - Cherry Q	AAPQ-42	20

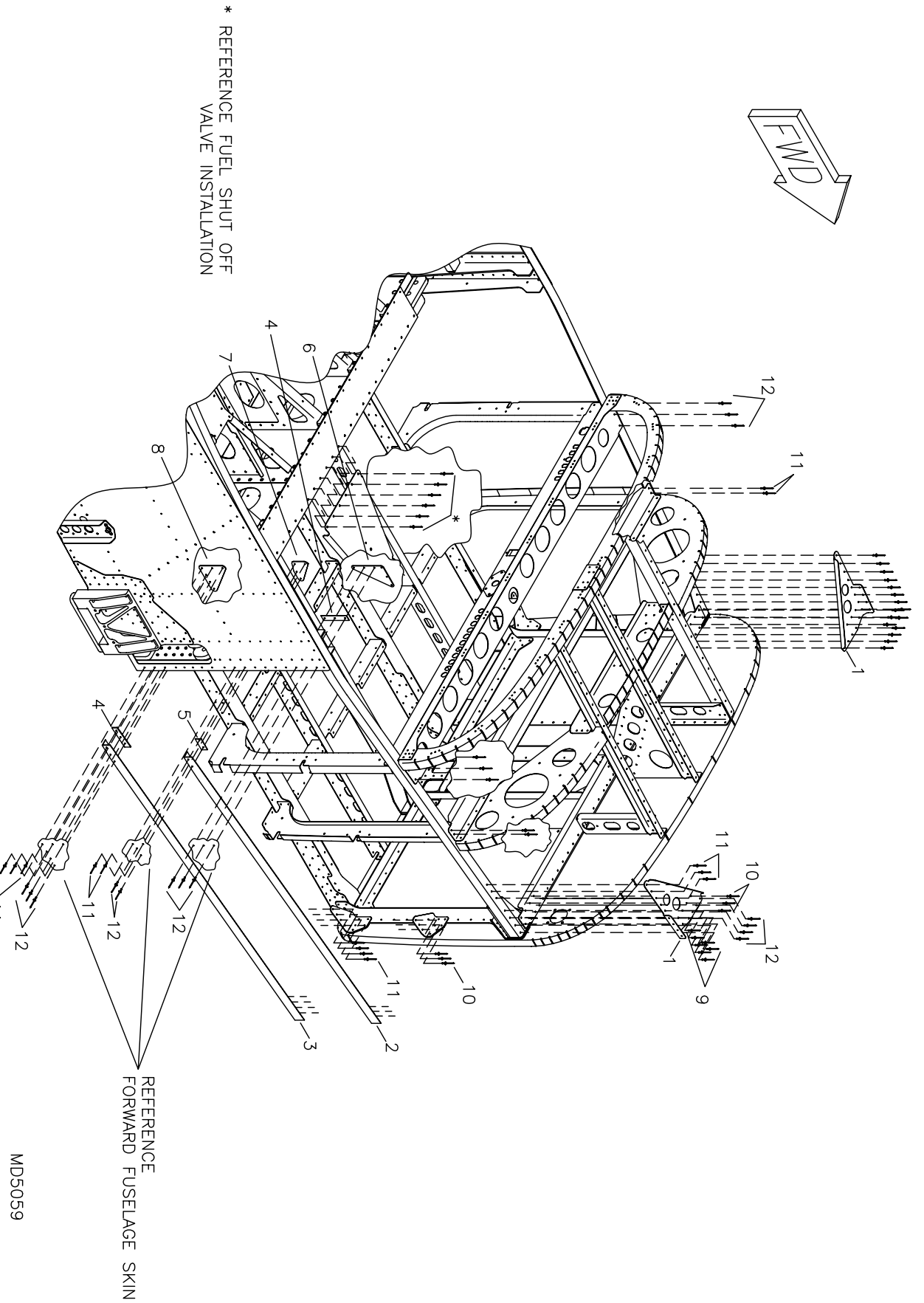
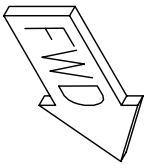


NOTE ORIENTATION OF RIVETS:
ALL RIVETS ENTER FROM OUTSIDE
TOWARDS THE CENTER.

RRR0008 S-19 VENTERRA
FWD FUSELAGE INSTALLATION #1

MD5059

#	DESCRIPTION	PART NUMBER	QUANTITY
1.	1/8" Aluminum Rivet - Cherry Q	AAPQ-42	30



RRRPNDS S-19 VENTERRA
FWD FUSELAGE INSTALLATION #2

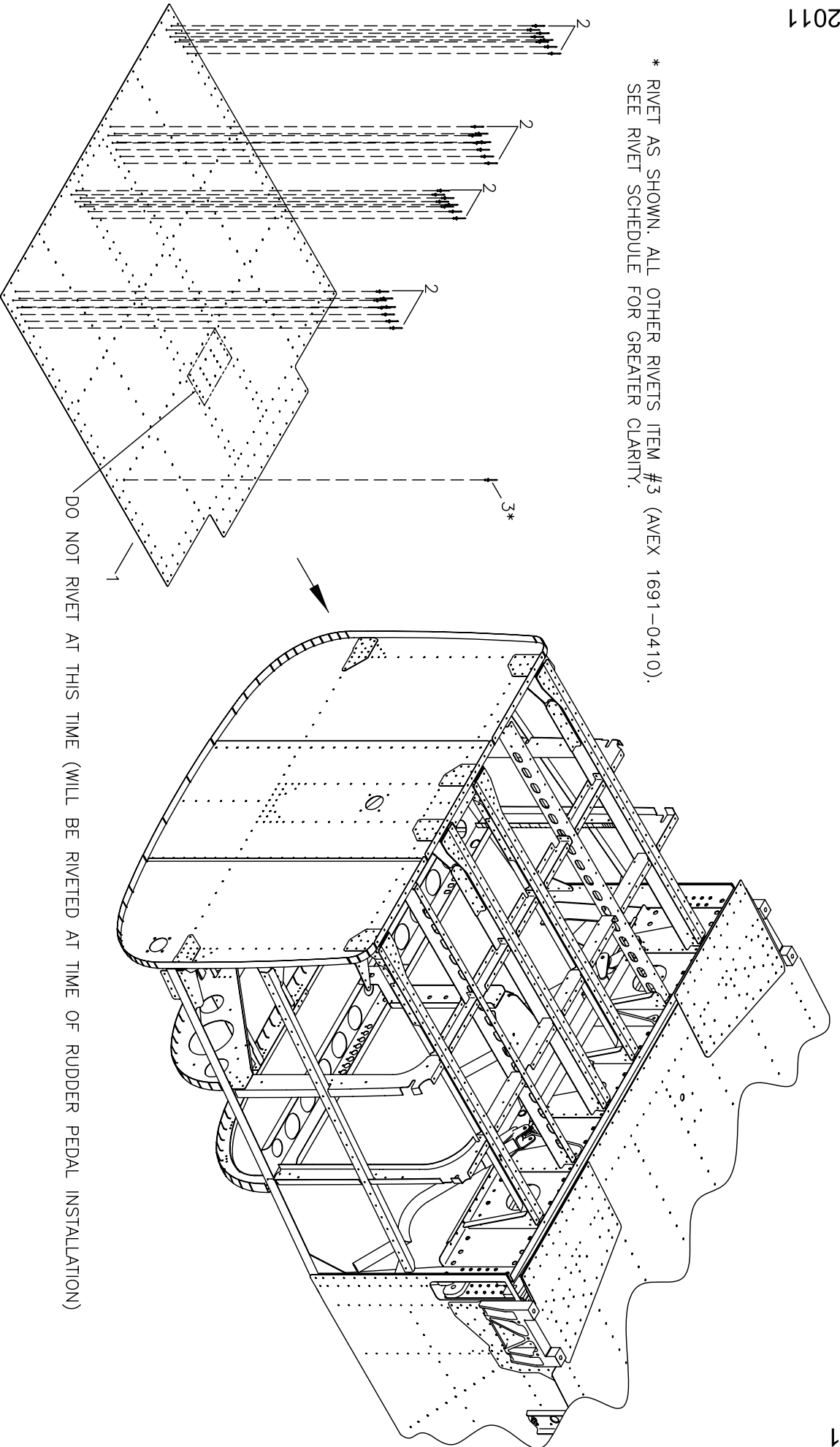
MD5059

#	DESCRIPTION	PART NUMBER	QUANTITY
1.	Gusset - RH	KPFU0522-R	1
1.	Gusset - LH	KPFU0522-L	1
2.	FWD Stiffener - Upper - RH	KPFU0568-R	1
2.	FWD Stiffener - Upper - LH	KPFU0568-L	1
3.	FWD Stiffener - Lower - RH	KPFU0569-R	1
3.	FWD Stiffener - Lower - LH	KPFU0569-L	1
4.	0.032" Sheet * **	KAAC0044-10	0
5.	0.050" Sheet * **	KAAC0044-11	0
6.	Gusset *	KPFU0421	0
7.	Gusset - Stiffener Attach *	KPFU0570	1
8.	Gusset - Stiffener Attach *	KPFU0571	1
9.	1/8" Stainless Steel Rivet - Cherry Q	CCPQ-44	14
10.	1/8" Aluminum Rivet - Cherry Q	AAPQ-42	12
11.	1/8" Aluminum Rivet - Cherry Q	AAPQ-43	28
12.	1/8" Aluminum Rivet - Cherry Q	AAPQ-44	30

*Builder modifies

** Builder fabricates from raw stock.

* RIVET AS SHOWN. ALL OTHER RIVETS ITEM #3 (AVEX 1691-0410).
SEE RIVET SCHEDULE FOR GREATER CLARITY.



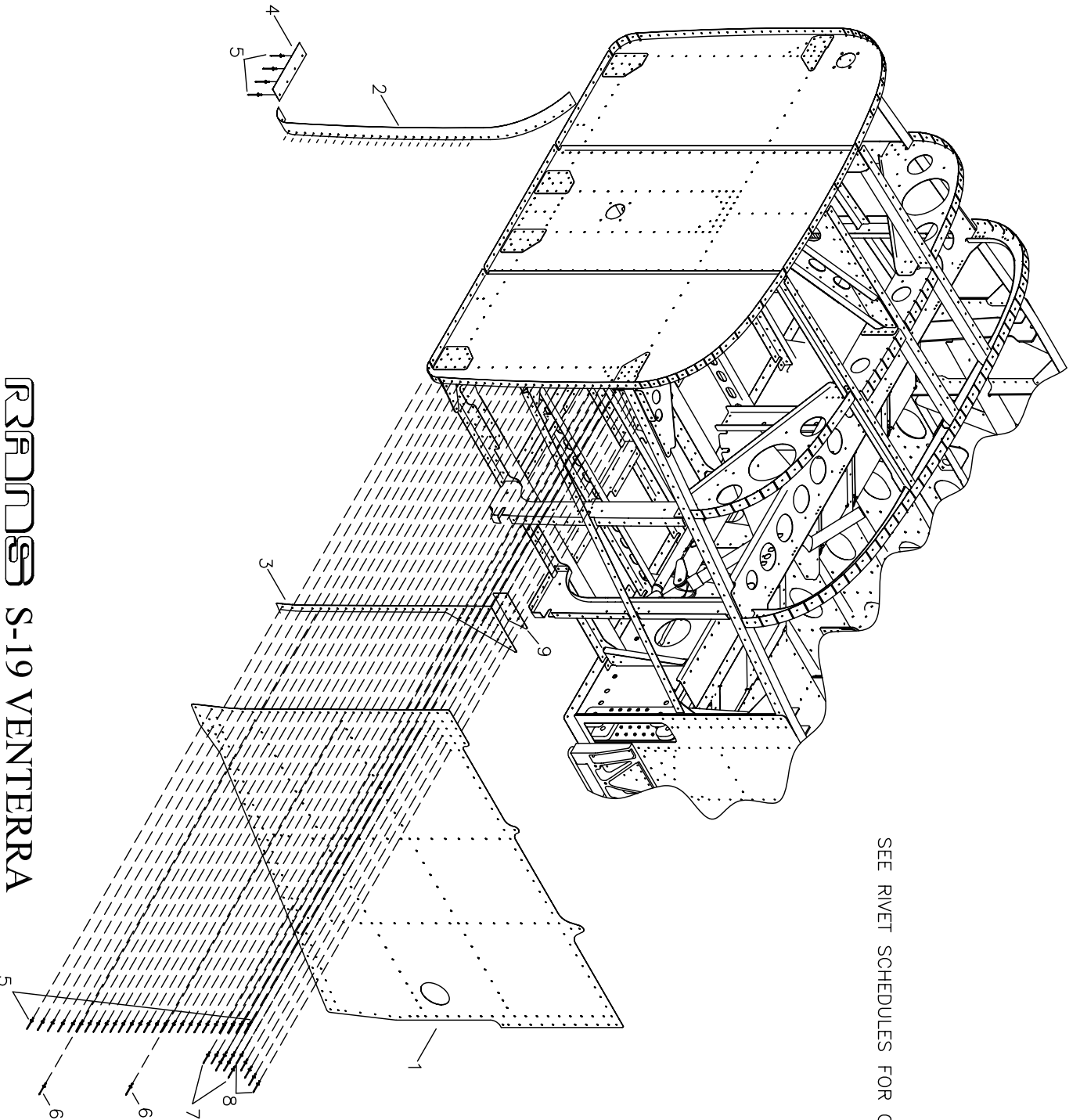
DO NOT RIVET AT THIS TIME (WILL BE RIVETED AT TIME OF RUDDER PEDAL INSTALLATION)

RRRND08 S-19 VENTERRA FWD FUSELAGE SKIN INSTALLATION #1

MD5065

#	DESCRIPTION	PART NUMBER	QUANTITY
1.	Forward Belly Skin	KPFU0560	1
2.	1/8" Aluminum Rivet - Cherry Q	AAPQ-43	32
3.	1/8" Aluminum Rivet - Avex	1691-0410	381

SEE RIVET SCHEDULES FOR GREATER CLARITY

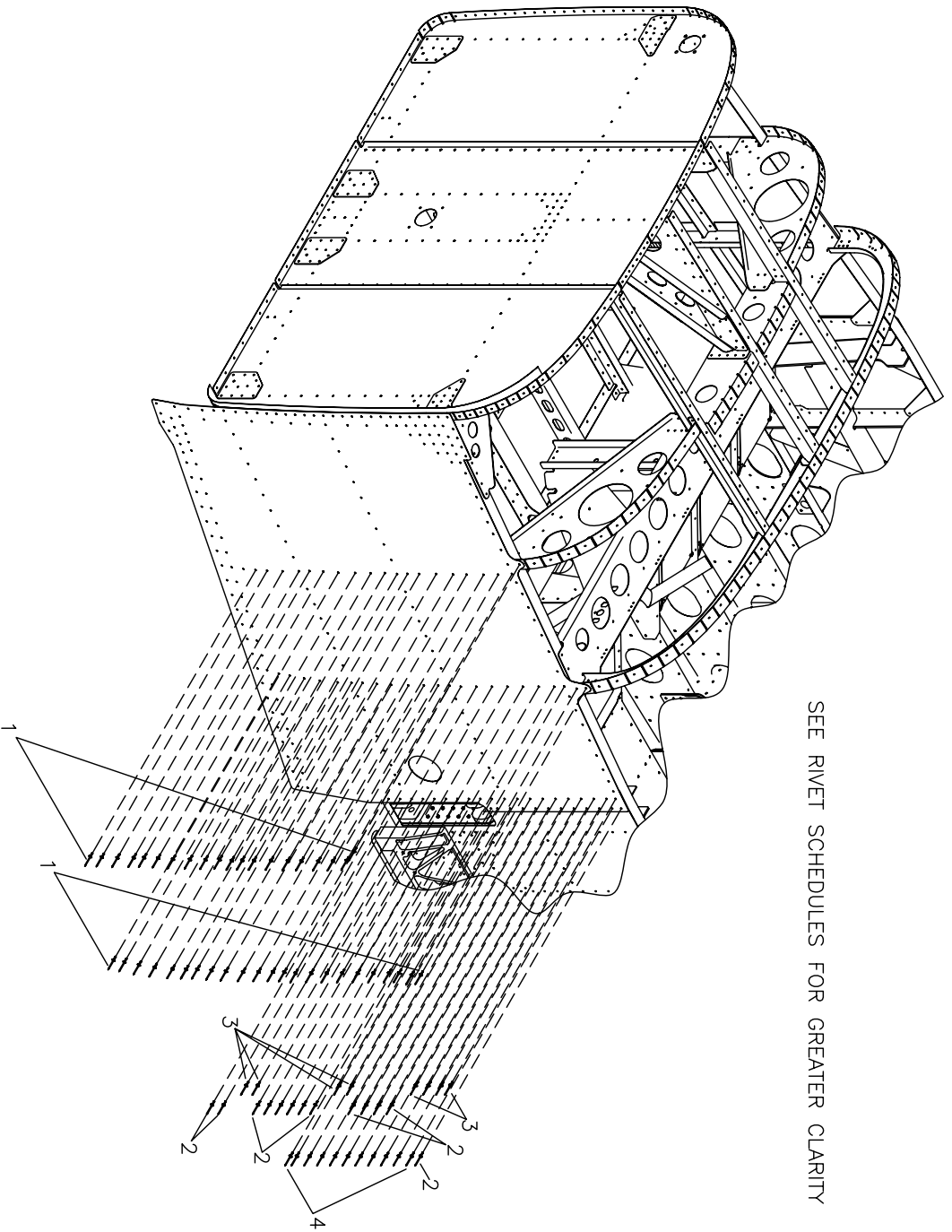


RRR S-19 VENTERRA
FWD FUSELAGE SKIN INSTALLATION #2

MD5065

#	DESCRIPTION	PART NUMBER	QUANTITY
1.	FWD Fuselage Side Skin	KPFU0643	2
2.	Cowling Attach Strap - Side	KPFU0541	2
3.	Spacer Gusset - FWD Fuselage - Side	KPFU0642	2
4.	Cowling Attach Strap - Bottom *	KPFU0584	1
5.	1/8" Aluminum Rivet - Cherry Q	AAPQ-43	60
6.	1/8" Aluminum Rivet - Cherry Q	AAPQ-42	4
7.	1/8" Aluminum Rivet - Avex	1691-0410	38
8.	1/8" Stainless Steel Rivet - Cherry Q	CCPQ-44	10
9.	Plate - Upper Engine Fitting	KPFU0521	2

* Builder modifies

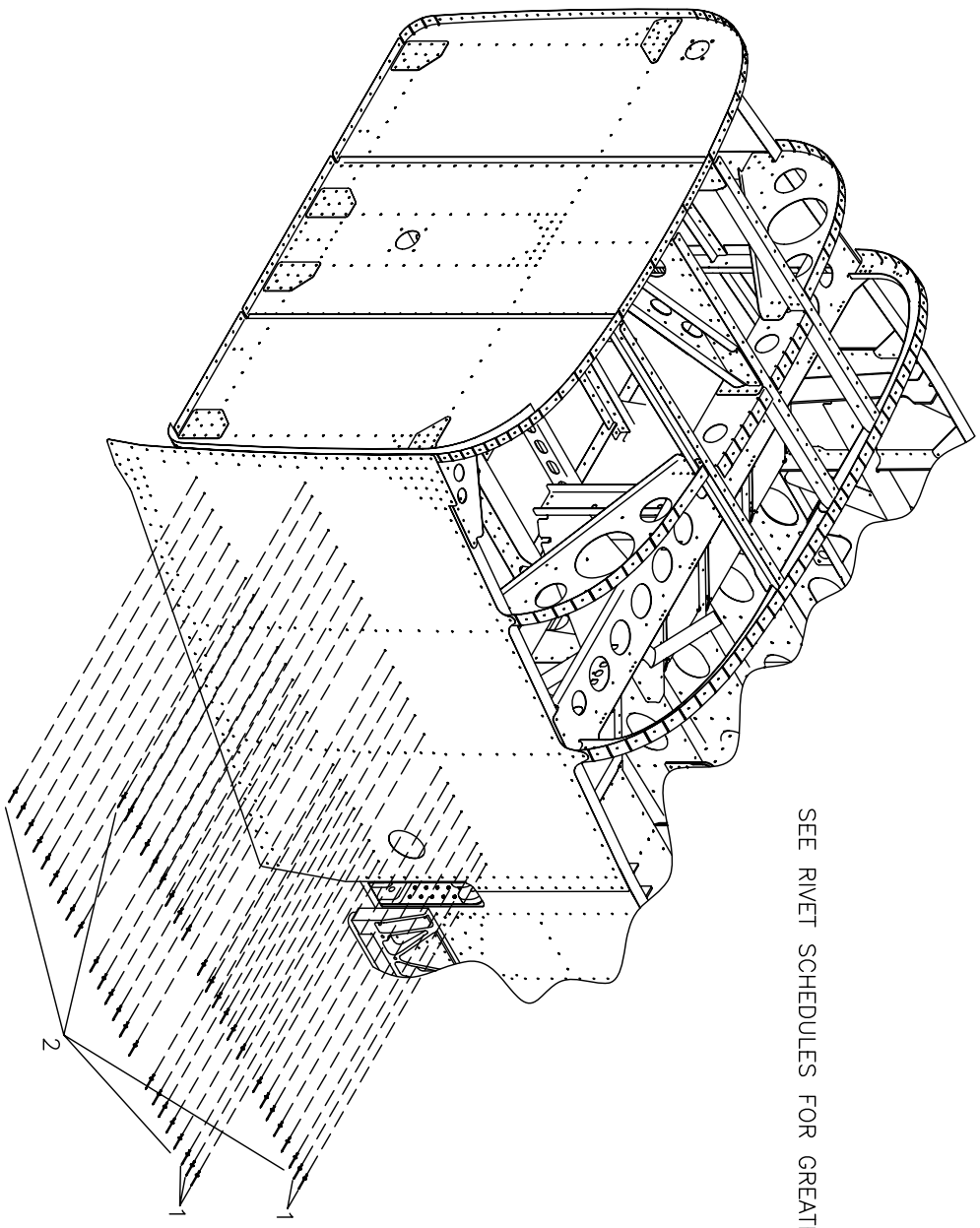


SEE RIVET SCHEDULES FOR GREATER CLARITY

RRRPNDS S-19 VENTERA
FWD FUSELAGE SKIN INSTALLATION #3

MD5065

#	DESCRIPTION	PART NUMBER	QUANTITY
1.	1/8" Aluminum Rivet - Avex	1691-0410	86
2.	1/8" Aluminum Rivet - Cherry Q	AAPQ-43	24
3.	1/8" Aluminum Rivet - Cherry Q	AAPQ-44	16
4.	1/8" Aluminum Rivet - Cherry Q	AAPQ-42	22



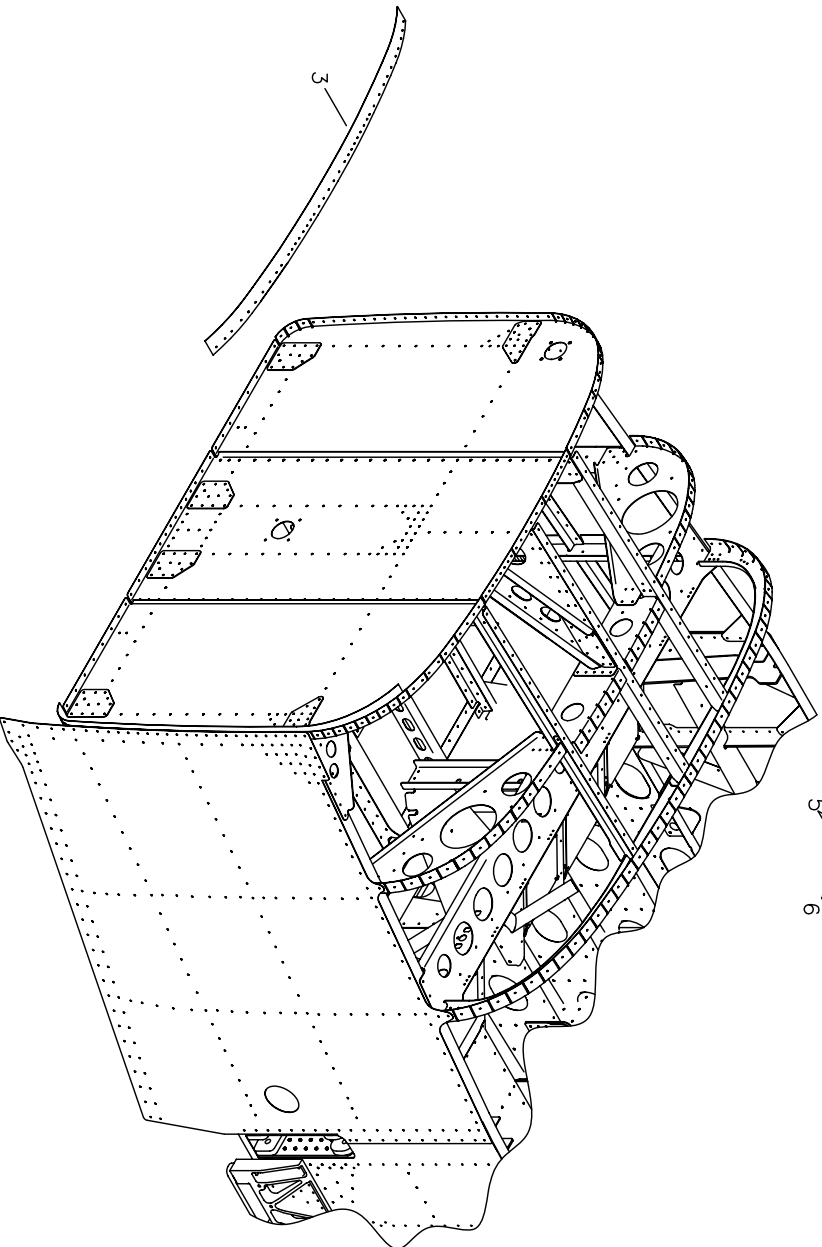
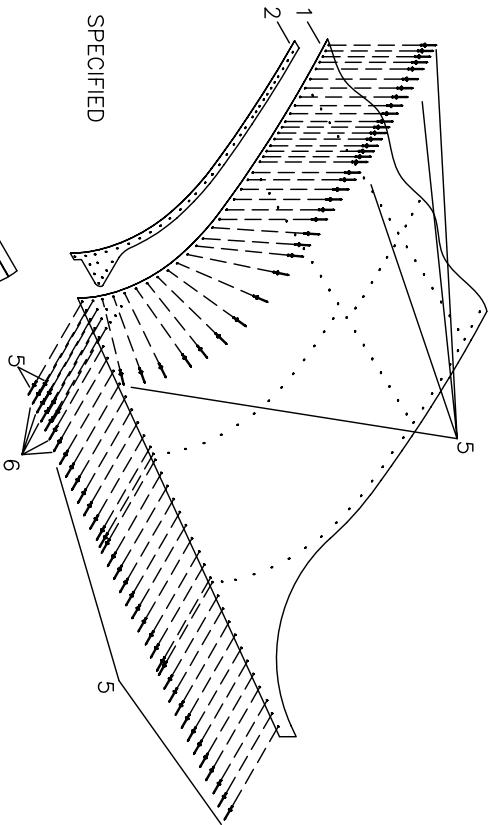
SEE RIVET SCHEDULES FOR GREATER CLARITY

RRFDND88 S-19 VENTERRA
FWD FUSELAGE SKIN INSTALLATION #4

MD5065

#	DESCRIPTION	PART NUMBER	QUANTITY
1.	1/8" Aluminum Rivet - Cherry Q	AAPQ-44	10
2.	1/8" Aluminum Rivet - Avex	1691-0410	96

ALL RIVETS ARE AVEX (1691-0410) UNLESS OTHERWISE SPECIFIED
SEE RIVET SCHEDULES FOR GREATER CLARITY



RRRND08 S-19 VENTERRA
FWD FUSELAGE SKIN INSTALLATION #5

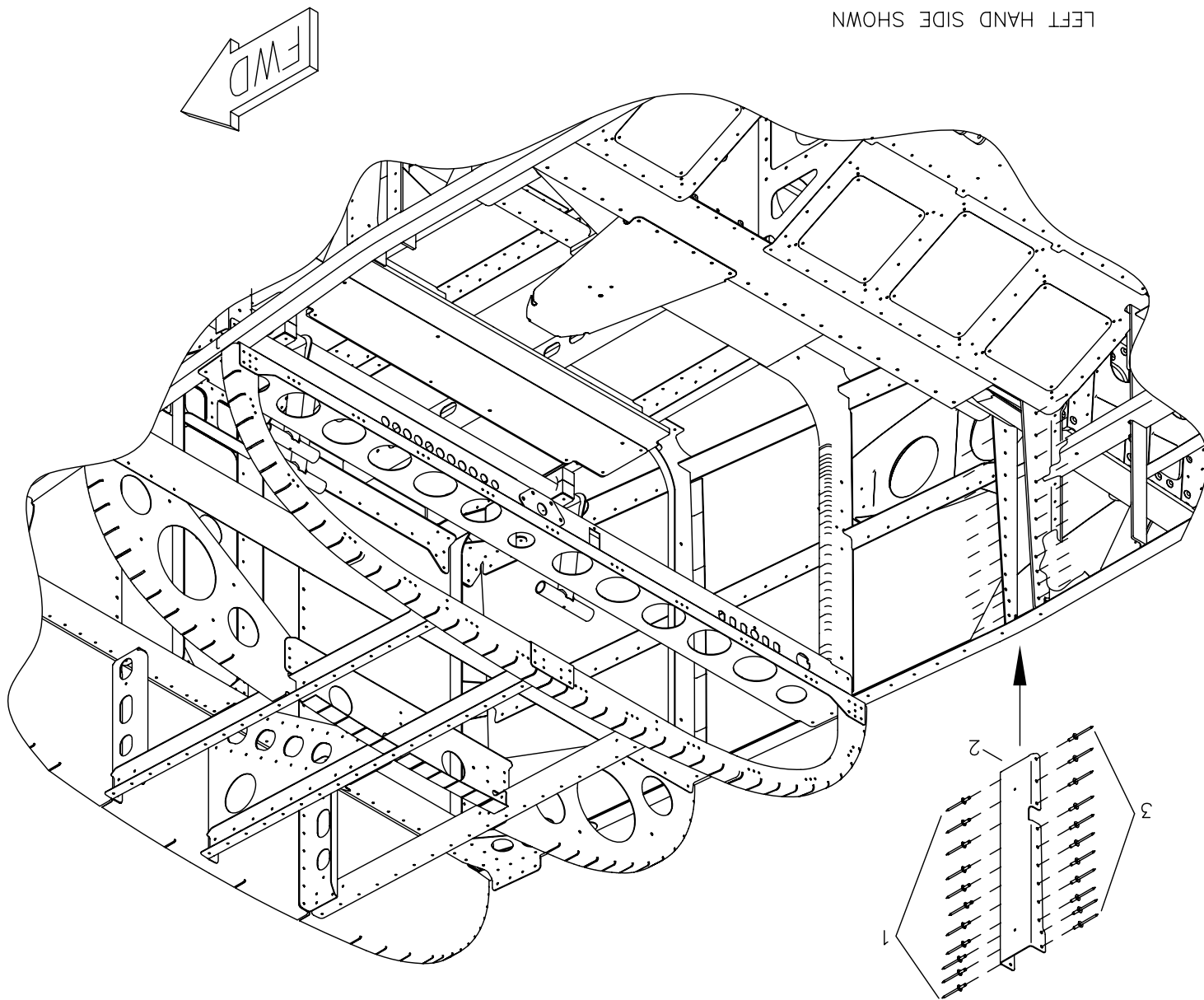
MD5065

#	DESCRIPTION	PART NUMBER	QUANTITY
1.	Deck Skin	KPFU0644	1
2.	Spacer Gusset - FWD Fuselage - Top	KPFU0641	2
3.	Cowling Attach Strap	KPFU0537	1
4.	1/8" Aluminum Rivet - Avex	1691-0410	175
5.	1/8" Aluminum Rivet - Cherry Q	AAPQ-43	150
6.	1/8" Stainless Steel Rivet - Cherry Q	CCPQ-44	12

RRMS S-19 VENTRA ROLL BAR INSTALLATION #1

MDS069

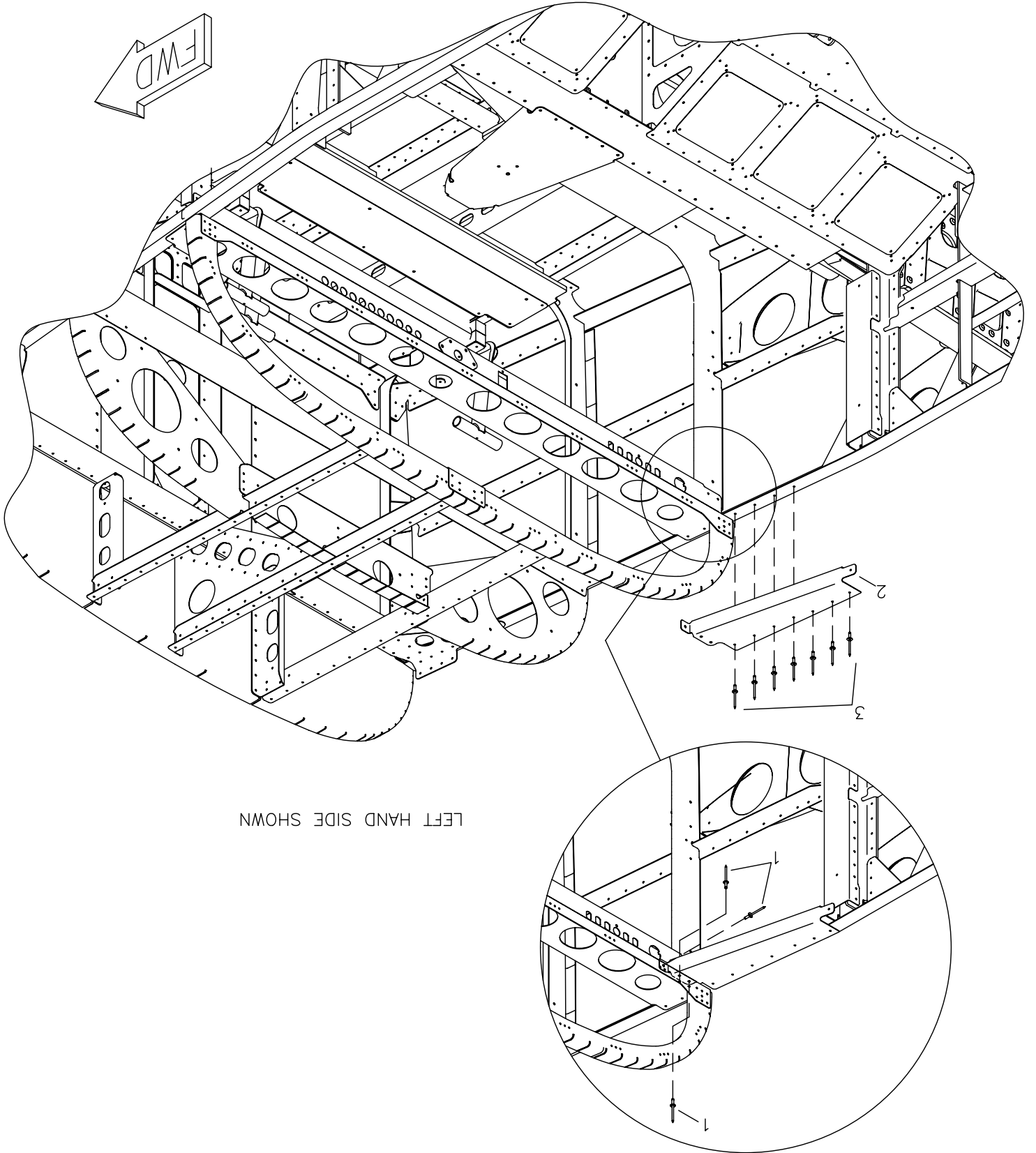
LEFT HAND SIDE SHOWN



#	DESCRIPTION	PART NUMBER	QUANTITY
1.	1/8" Aluminum Rivet - Cherry Q	AAPQ-42	22
2.	Cover Channel - LH	KPFU0633-L	1
2.	Cover Channel - RH	KPFU0633-R	1
3.	1/8" Aluminum Rivet - Cherry Q	AAPQ-43	22

RAMP S-19 VENTRA ROLL BAR INSTALLATION #2

MD5069

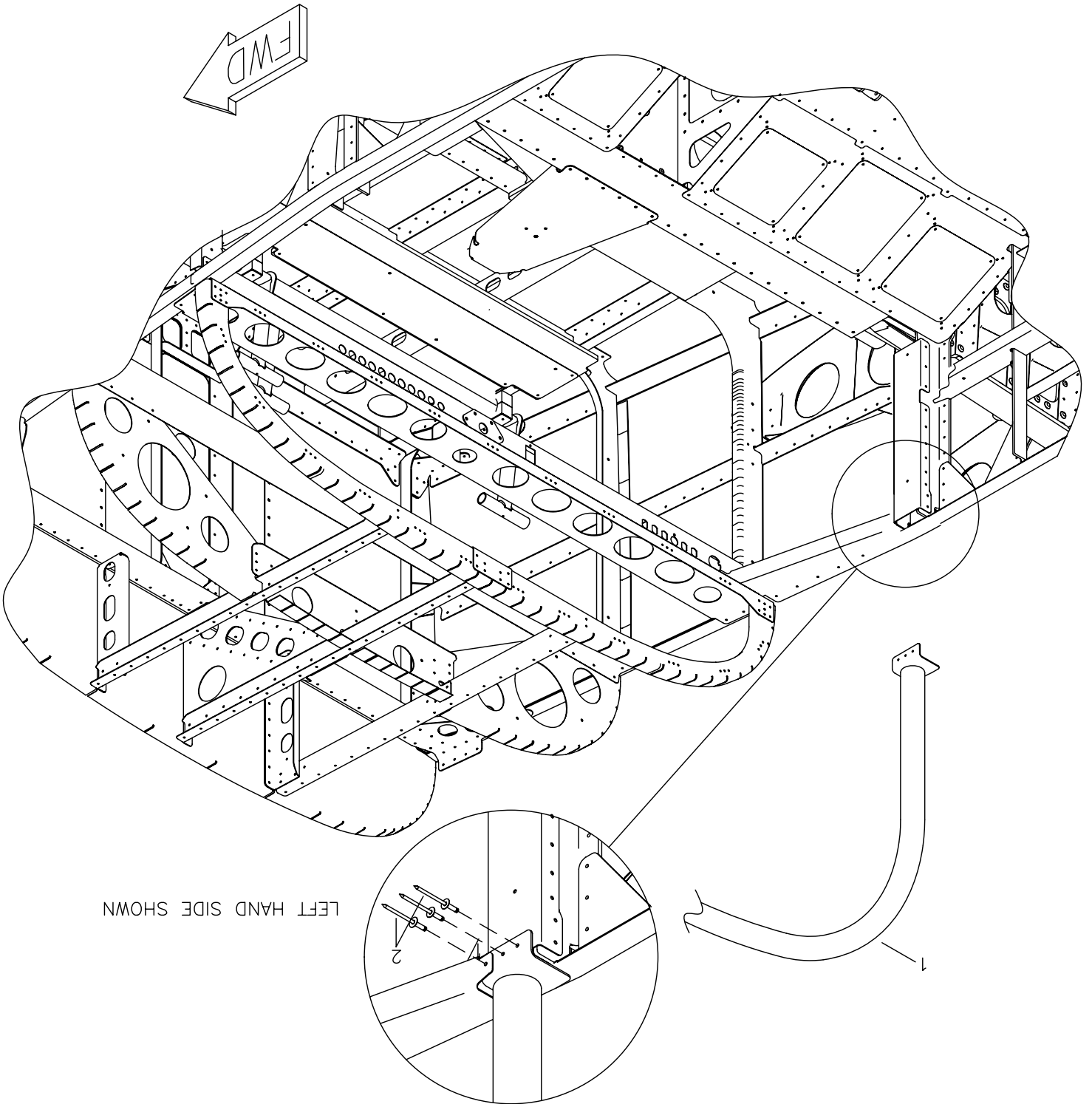


LEFT HAND SIDE SHOWN

#	DESCRIPTION	PART NUMBER	QUANTITY
1.	1/8" Aluminum Rivet - Avex	1691-0410	6
2.	Channel - RH	KPFU0634-R	1
2.	Channel - LH	KPFU0634-L	1
3.	1/8" Aluminum Rivet - Cherry Q	AAPQ-43	14

RAMP S-19 VENTRA ROLL BAR INSTALLATION #3

MD5069

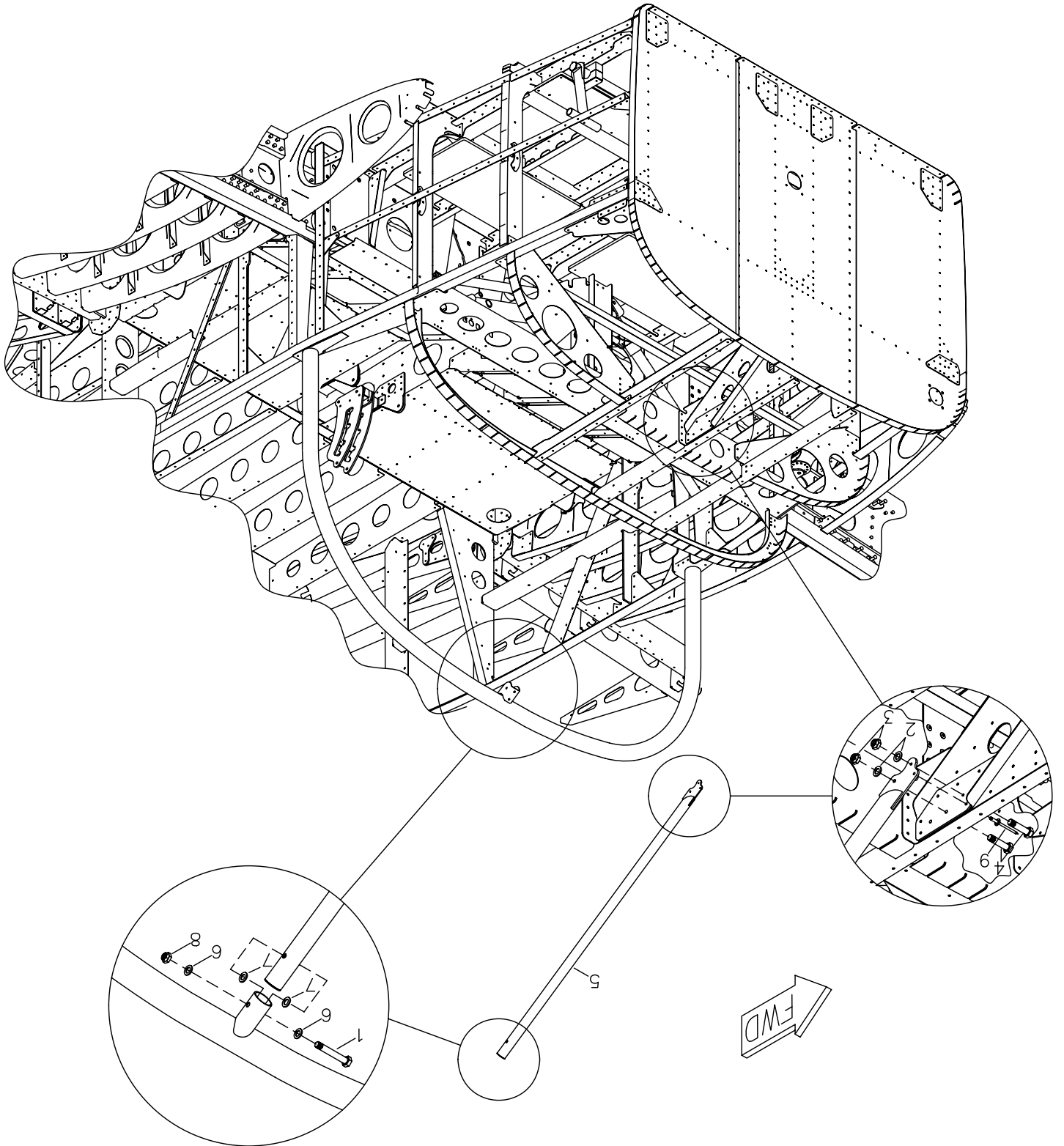


LEFT HAND SIDE SHOWN

#	DESCRIPTION	PART NUMBER	QUANTITY
1.	Roll Bar	KAFU0050	1
2.	1/8" Stainless Steel Rivet - Cherry Q	CCPQ-42	6

RRMS S-19 VENTRA ROLL BAR INSTALLATION #4

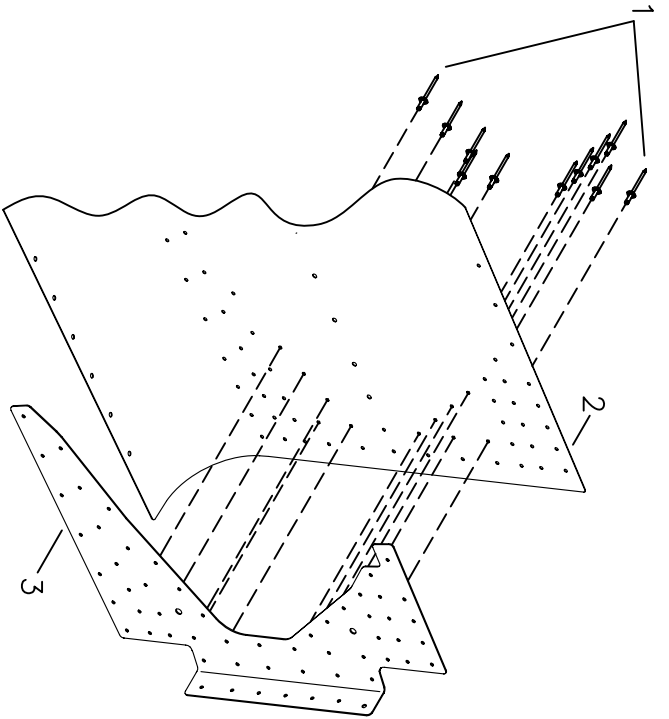
MD5069



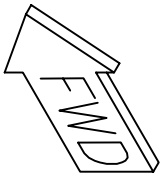
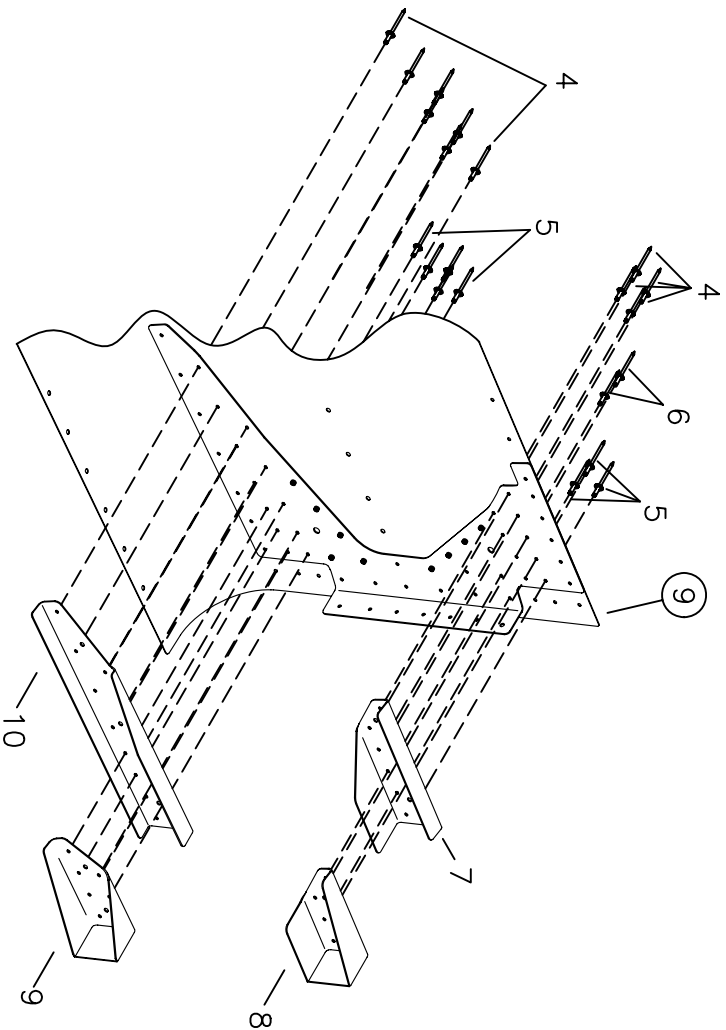
#	DESCRIPTION	PART NUMBER	QUANTITY
1.	1/4" Bolt	AN4-13A	1
2.	3/16" Thin Washer	AN960-10L	2
3.	3/16" Tensile Nut	AN365-1032A	2
4.	3/16" Bolt	AN3-5A	2
5.	Roll Bar Brace	KPFU0628	1
6.	1/4" Thick Washer	AN960-416	2
7.	1/4" Thin Washer	AN960-416L	2
8.	1/4" Shear Nut	AN364-428A	1
9.	1/8" Aluminum Rivet - Cherry Q	AAPQ-44	1

07 – FUSELAGE – TAILCONE

TAILCONE SIDE SKIN AFT ASSEMBLY	07-01 - 07-02
TAILCONE ASSEMBLY #1	07-03 - 07-04
TAILCONE ASSEMBLY #2	07-05 - 07-06
TAILCONE ASSEMBLY #3	07-07 - 07-08
TAILCONE ASSEMBLY #4	07-09 - 07-10
BELLCRANK CHANNEL INSTALLATION	07A-01 - 07A-02
TAILCONE INSPECTION PLATES INSTALLATION	07B-01 - 07B-02
BULKHEAD #1 ASSEMBLY	07C-01 - 07C-02
BULKHEAD 1, 2 & 3 TOP INSTALLATION	07D-01 - 07D-02
FOOT STEP INSTALLATION	07E-01 - 07E-02
BULKHEAD #4 TOP ASSEMBLY	07F-01 - 07F-02
BULKHEAD #4 TOP INSTALLATION	07F-03 - 07F-04
BULKHEAD #5 ASSEMBLY & INSTALLATION #1	07G-01 - 07G-02
BULKHEAD #5 ASSEMBLY & INSTALLATION #2	07G-03 - 07G-04
BULKHEAD #5 ASSEMBLY & INSTALLATION #3	07G-05 - 07G-06
REAR DECK INSTALLATION	07H-01 - 07H-02
TAILCONE TOP SKIN INSTALLATION	07I-01 - 07I-02
TAILCONE TO CENTER SECTION INSTALLATION #1	07J-01 - 07J-02
TAILCONE TO CENTER SECTION INSTALLATION #2	07J-03 - 07J-04
TAILCONE TO CENTER SECTION INSTALLATION #3	07J-05 - 07J-06
TAILCONE TO CENTER SECTION INSTALLATION #4	07J-07 - 07J-08
TAILCONE TO CENTER SECTION INSTALLATION #5	07J-09 - 07J-10
TAILCONE TO CENTER SECTION INSTALLATION #6	07J-11 - 07J-12
TAILCONE TO CENTER SECTION INSTALLATION #7	07J-13 - 07J-14
TAILCONE TO CENTER SECTION INSTALLATION #8	07J-15 - 07J-16
TAILCONE STINGER INSTALLATION	07K-01 - 07K-02



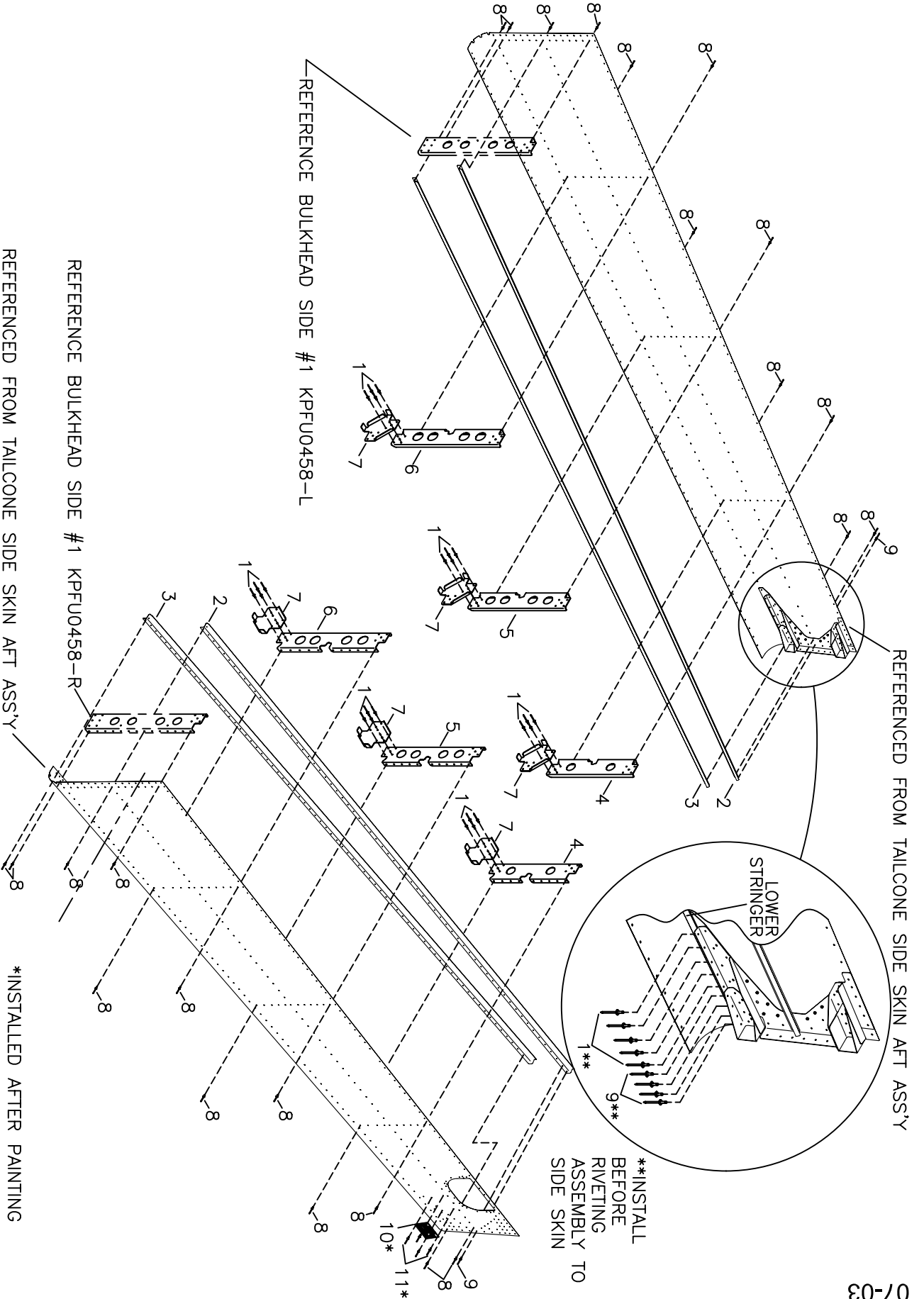
RH SKIN SHOWN



RRRINDOS S-19 VENTERRA
TAILCONE - SIDE SKIN - AFT ASSEMBLY

MD4963

#	DESCRIPTION	PART NUMBER	QUANTITY
1.	1/8" Aluminum Rivet - Cherry Q	AAPQ-41	22
2.	Side Skin - Tailcone - LH	KPFU0469-L	1
2.	Side Skin - Tailcone - RH	KPFU0469-R	1
3.	Gusset - Side Wall - LH	KPFU0494-L	1
3.	Gusset - Side Wall - RH	KPFU0494-R	1
4.	1/8" Aluminum Rivet - Cherry Q	AAPQ-42	22
5.	1/8" Stainless Steel Rivet - Cherry Q	CCPQ-43	16
6.	1/8" Aluminum Rivet - Cherry Q	AAPQ-43	4
7.	Channel - Stabilator Attach - Upper - RH	KPFU0496-R	1
7.	Channel - Stabilator Attach - Upper - LH	KPFU0496-L	1
8.	Weldment - Stabilator Attach - Upper - RH	KPFU0498-R	1
8.	Weldment - Stabilator Attach - Upper - LH	KPFU0498-L	1
9.	Weldment - Stabilator Attach - Lower - LH	KPFU0497-L	1
9.	Weldment - Stabilator Attach - Lower - RH	KPFU0497-R	1
10.	Channel - Stabilator Attach - Lower - LH	KPFU0495-L	1
10.	Channel - Stabilator Attach - Lower - RH	KPFU0495-R	1

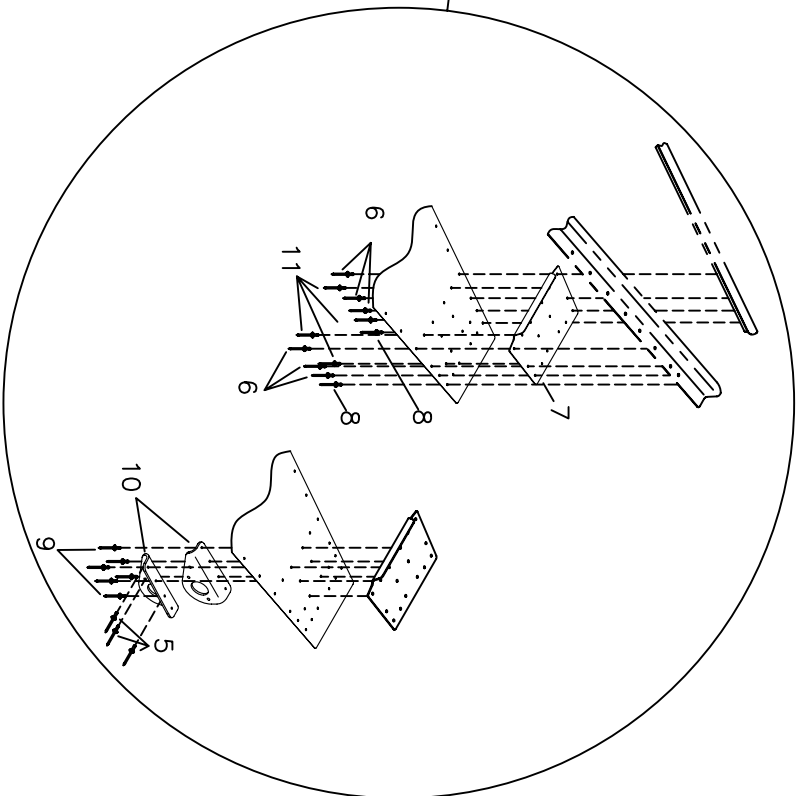
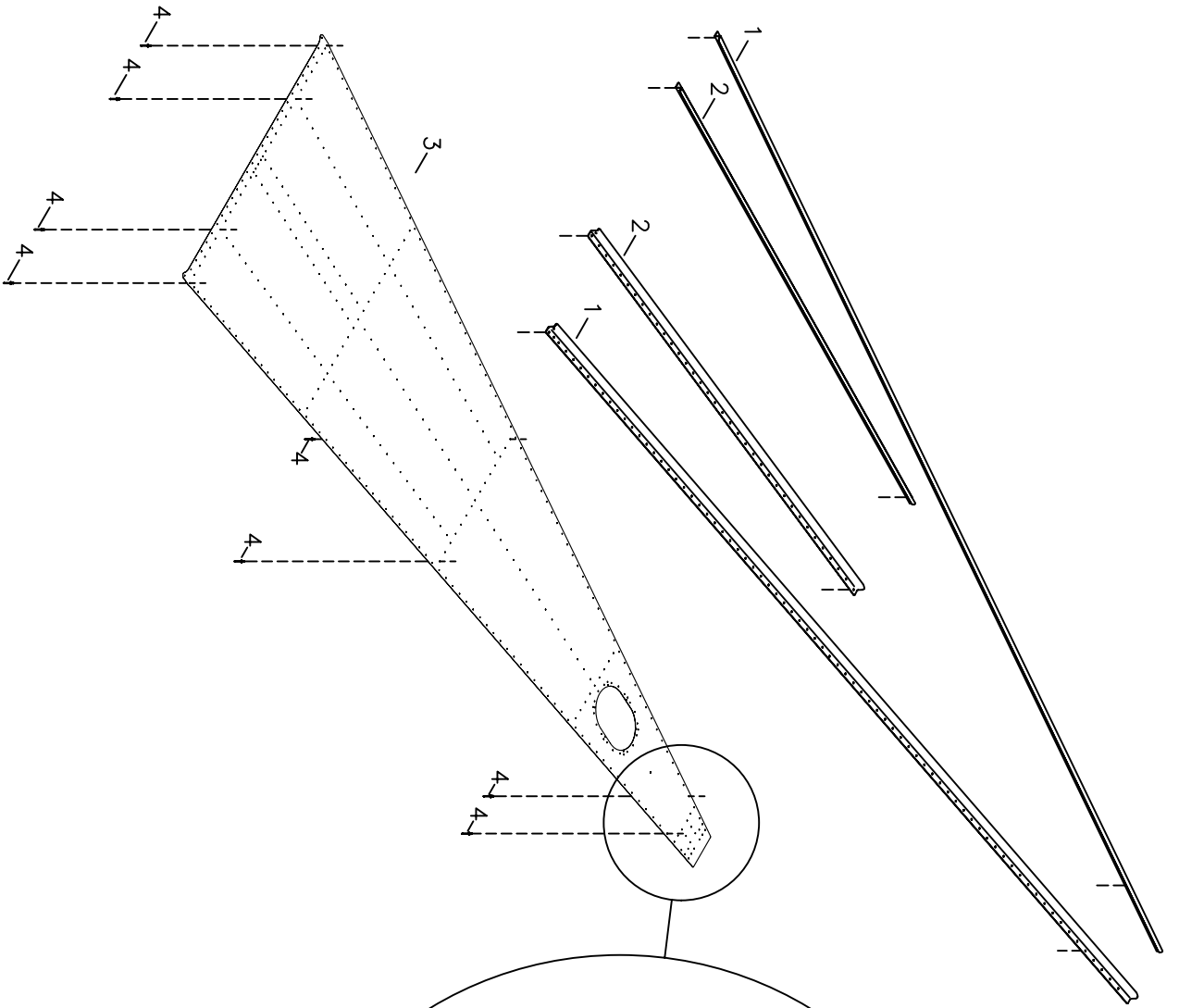


S-19 VENTERA
TAILCONE ASSEMBLY #1

MD4784

#	DESCRIPTION	PART NUMBER	QUANTITY
1.	1/8" Aluminum Rivet - Cherry Q	AAPQ-42	40
2.	Stiffener - Tailcone Side Skin - LH	KPFU0470-L	1
2.	Stiffener - Tailcone Side Skin - RH	KPFU0470-R	1
3.	Corner Stiffener - Side - LH	KPFU0471-L	1
3.	Corner Stiffener - Side - RH	KPFU0471-R	1
4.	Bulkhead Side #4 - RH	KPFU0456-R	1
4.	Bulkhead Side #4 - LH	KPFU0456-L	1
5.	Bulkhead Side #3 - RH	KPFU0454-R	1
5.	Bulkhead Side #3 - LH	KPFU0454-L	1
6.	Bulkhead Side #2 - LH	KPFU0452-L	1
6.	Bulkhead Side #2 - RH	KPFU0452-R	1
7.	Gusset - Bulkhead - LH	KPFU0450-L	3
7.	Gusset - Bulkhead - RH	KPFU0450-R	3
8.	1/8" Aluminum Rivet - Avex	1691-0410	354
9.	1/8" Stainless Steel Rivet - Cherry Q	CCPQ-42	10
10.	Serial Number Plate *	DATA PLATE	0
11.	1/8" Stainless Steel Rivet - Cherry Q	CCPQ-41	4

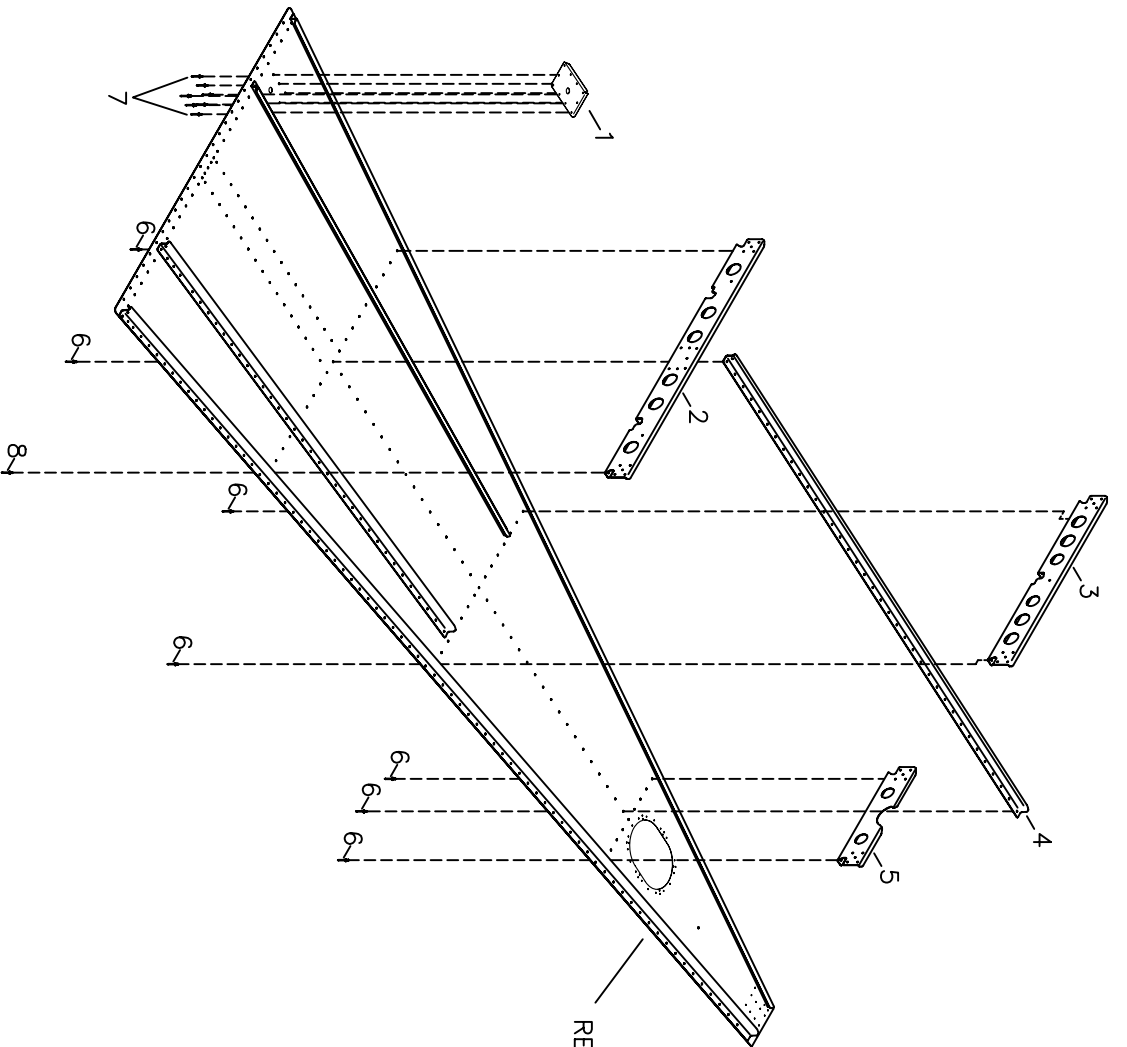
* Builder Supplied - May be ordered from RANS Parts Dept



**RRRMD088 S-19 VENTERRA
TAILCONE ASSEMBLY #2**

MD4784

#	DESCRIPTION	PART NUMBER	QUANTITY
1.	Corner Stiffener - Belly - RH	KPFU0467-R	1
1.	Corner Stiffener - Belly - LH	KPFU0467-L	1
2.	Stiffener - Belly Skin - RH	KPFU0461-R	1
2.	Stiffener - Belly Skin - LH	KPFU0461-L	1
3.	Belly Skin - Tailcone	KPFU0468	1
4.	1/8" Aluminum Rivet - Avex	1691-0410	230
5.	1/8" Aluminum Rivet - Cherry Q	AAPQ-44	3
6.	1/8" Aluminum Rivet - Cherry Q	AAPQ-42	6
7.	Plate - Tie Down Fitting	KPFU0509	1
8.	1/8" Aluminum Rivet - Cherry Q	AAPQ-43	2
9.	1/8" Stainless Steel Rivet - Cherry Q	CCPQ-43	6
10.	Tie Down Fitting - RH	KPFU0508-R	1
10.	Tie Down Fitting - LH	KPFU0508-L	1
11.	1/8" Aluminum Rivet - Cherry Q	AAPQ-41	4

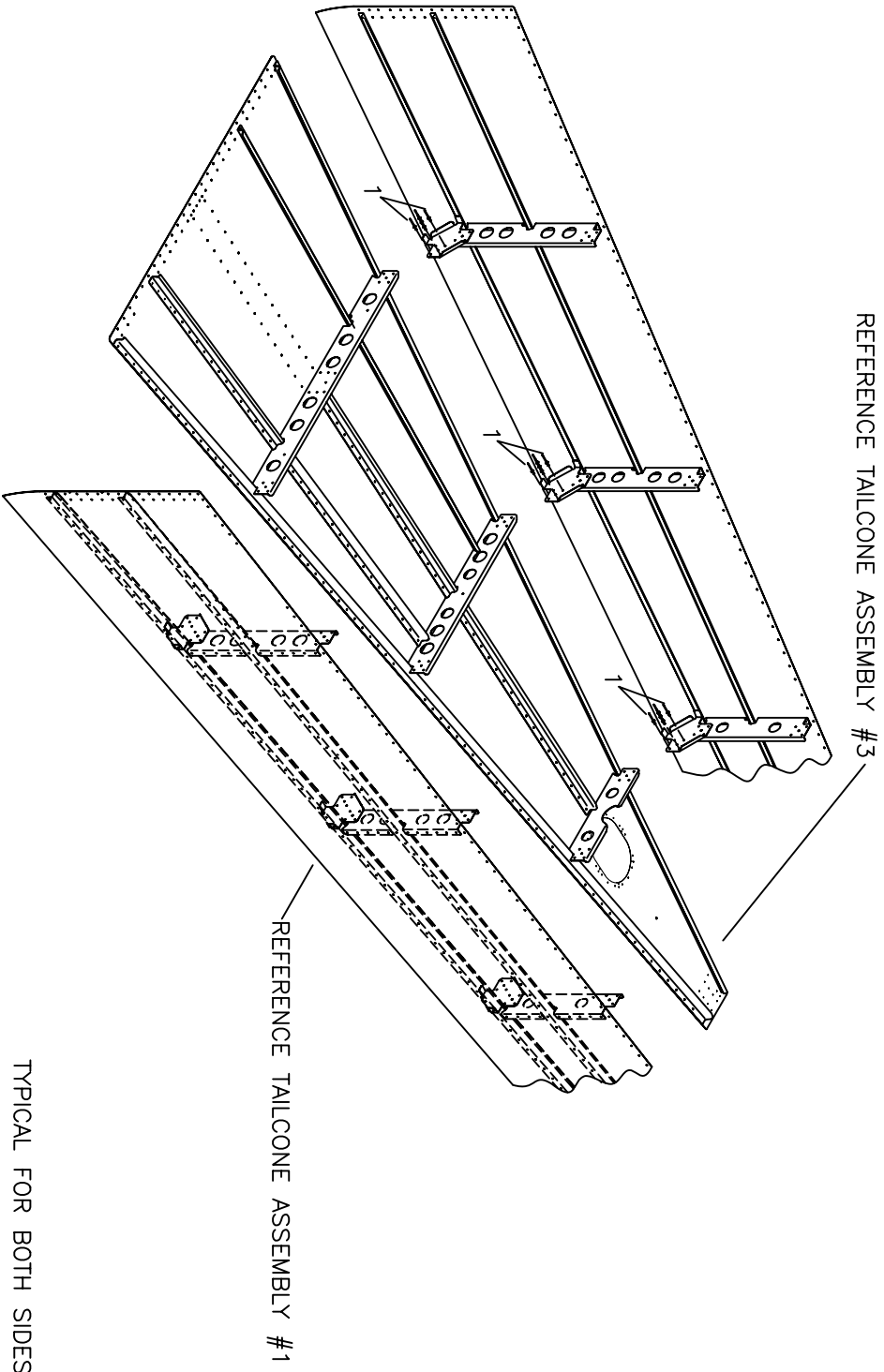


REFERENCE TAILCONE ASSEMBLY #2

RRR S-19 VENTERRA
TAILCONE ASSEMBLY #3

MD4784

#	DESCRIPTION	PART NUMBER	QUANTITY
1.	Antenna Plate - Comm	KPAV0027	1
2.	Bulkhead - Belly #2	KPFU0451	1
3.	Bulkhead - Belly #3	KPFU0453	1
4.	Stiffener - Tailcone Belly Skin - Center	KPFU0462	1
5.	Bulkhead - Belly #4	KPFU0455	1
6.	1/8" Aluminum Rivet - Avex	1691-0410	79
7.	1/8" Aluminum Rivet - Cherry Q	AAPQ-41	7

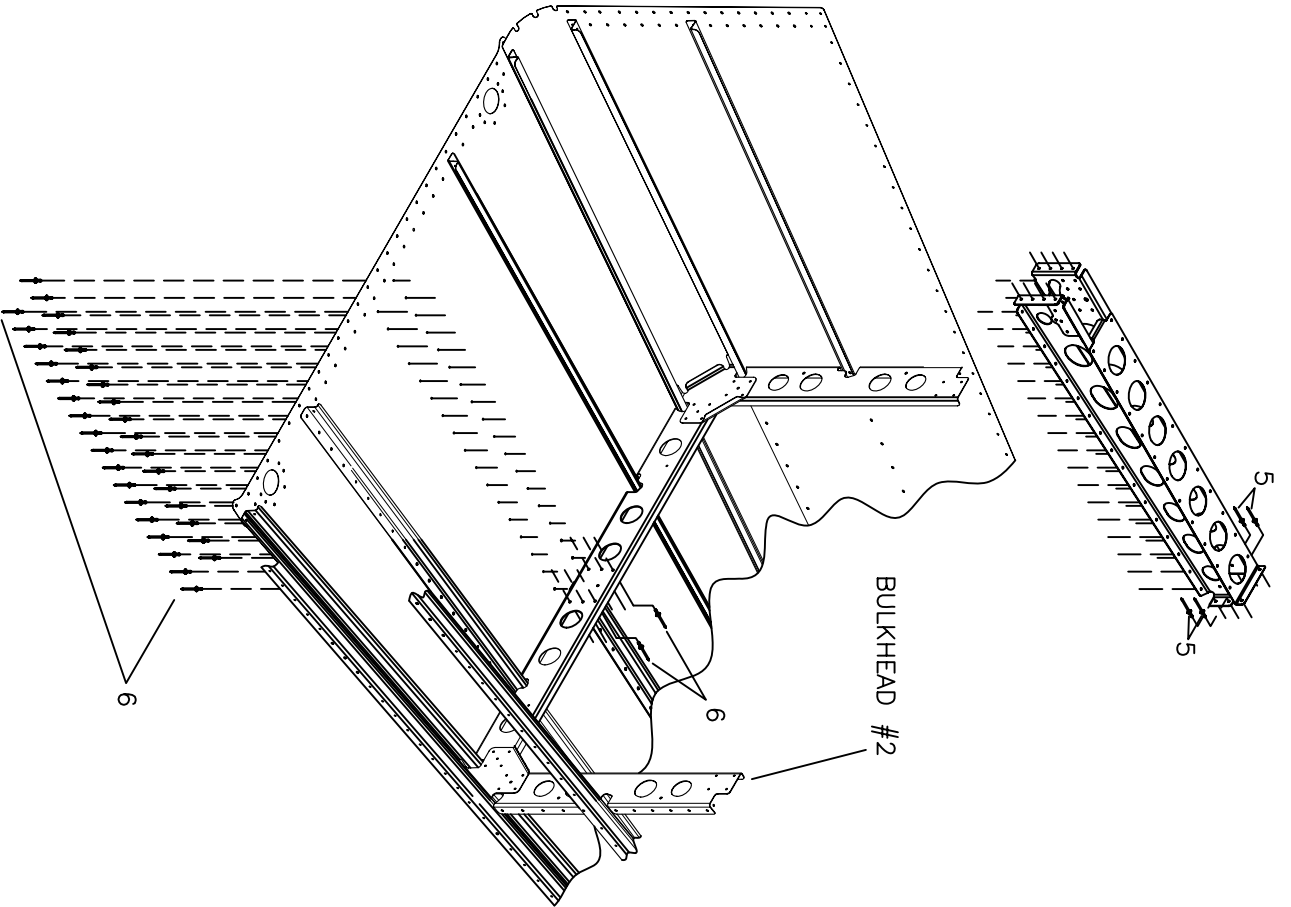
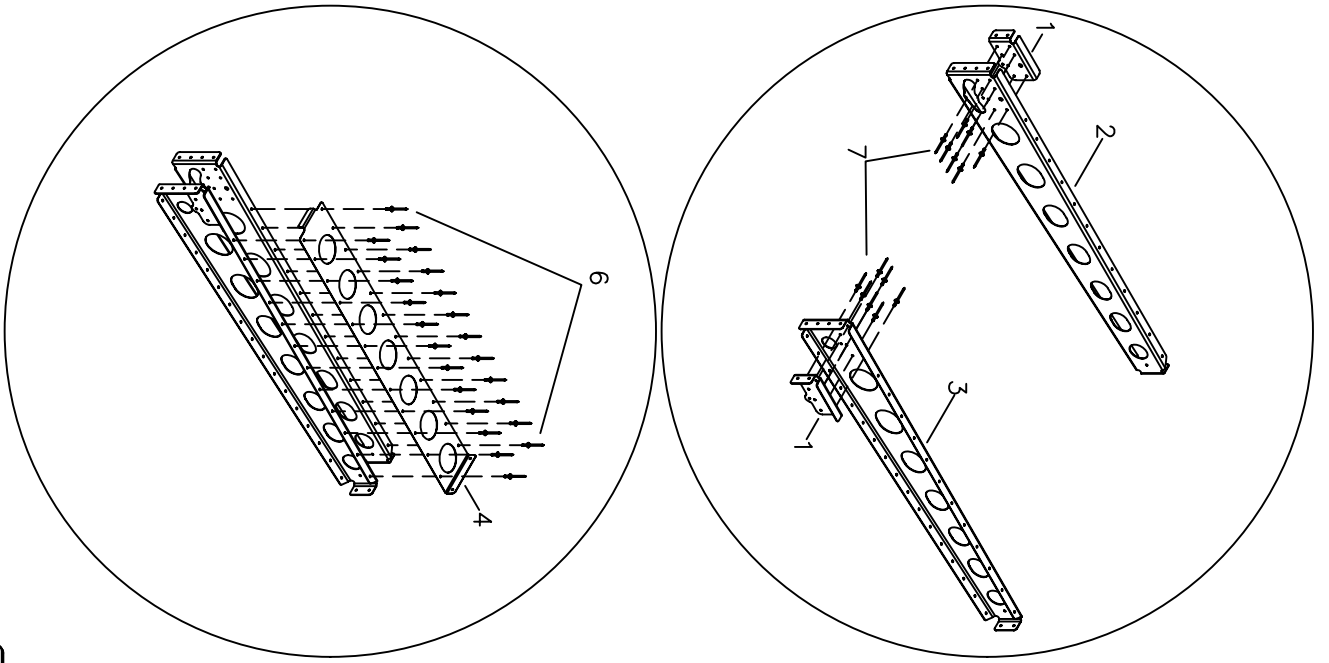


RRRNDG S-19 VENTERRA
TAILCONE ASSEMBLY #4

MD4784

#	DESCRIPTION	PART NUMBER	QUANTITY
1.	1/8" Aluminum Rivet - Cherry Q	AAPQ-42	24

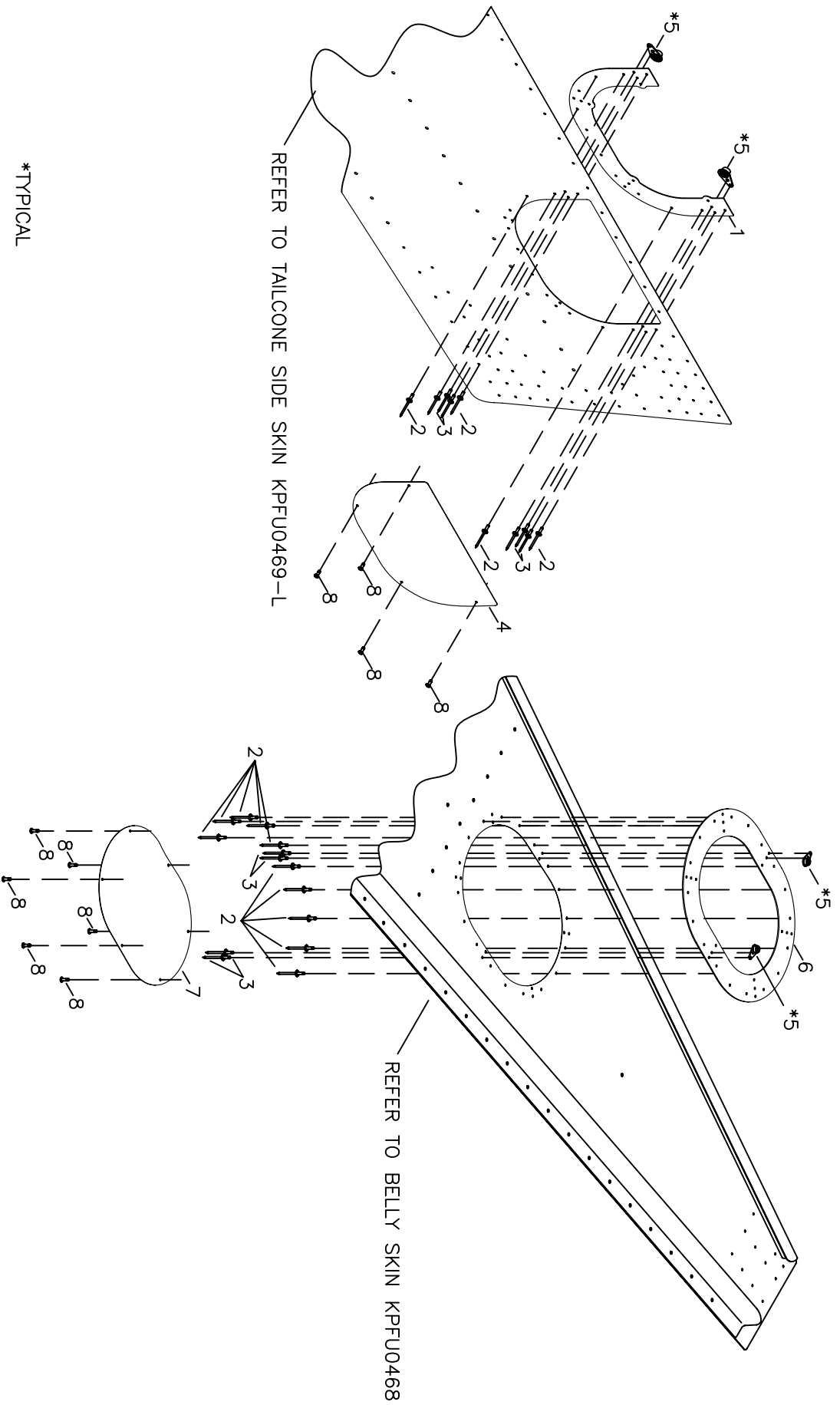
* Builder modifies



RRRND S-19 VENTERRA
BELLCRANK CHANNEL INSTALLATION

MD4968

#	DESCRIPTION	PART NUMBER	QUANTITY
1.	Bellcrank Attach - RH	KPFU0464-R	1
1.	Bellcrank Attach - LH	KPFU0464-L	1
2.	Channel - Bellcrank Attach - RH	KPFU0465	1
3.	Channel - Bellcrank Attach - LH	KPFU0466	1
4.	Cover - Channel Bellcrank	KPFU0463	1
5.	1/8" Aluminum Rivet - Cherry Q	AAPQ-42	4
6.	1/8" Aluminum Rivet - Avex	1691-0410	60
7.	1/8" Aluminum Rivet - Cherry Q	AAPQ-41	14



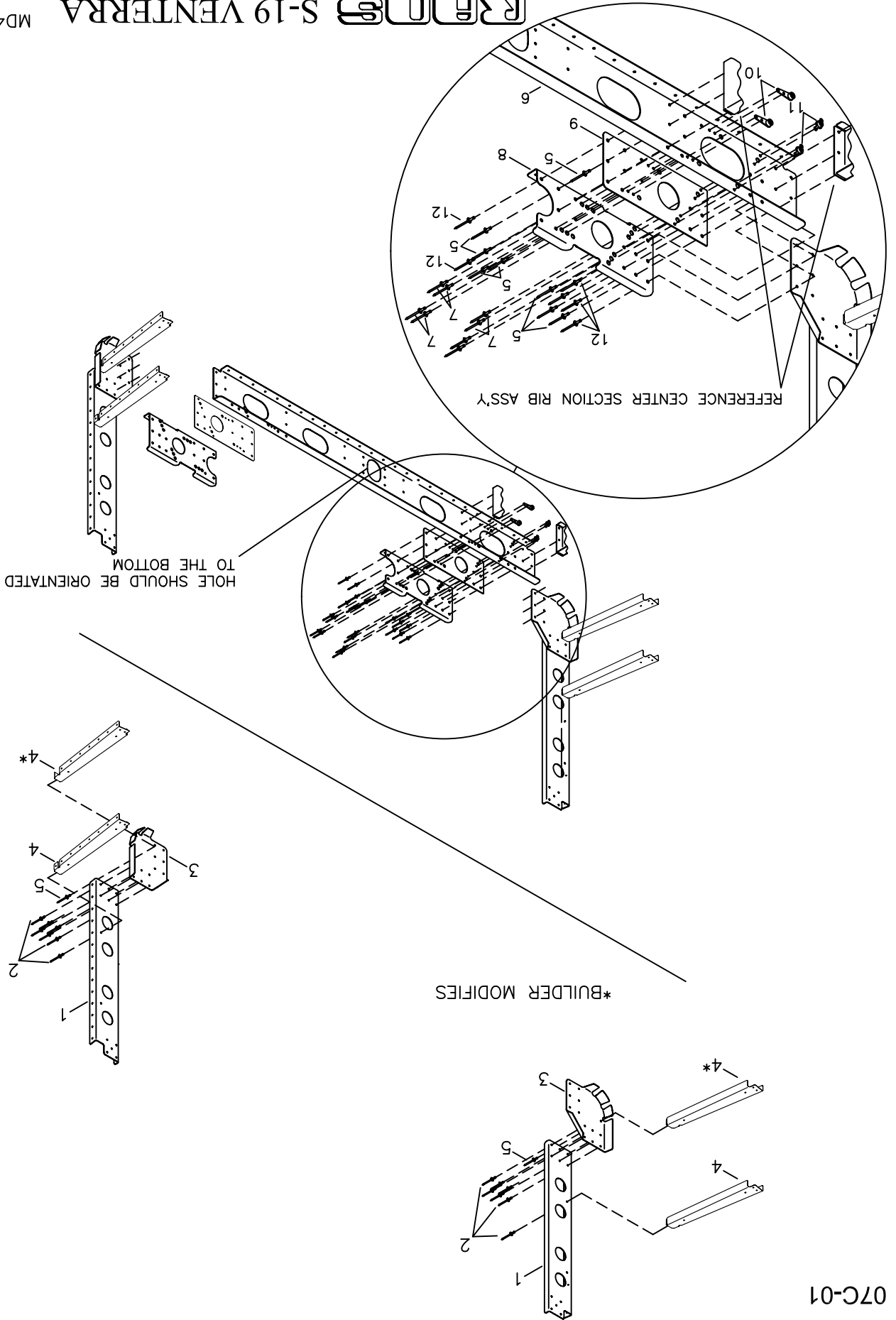
RRR S-19 VENTERRA
TAILCONE INSPECTION PLATES INSTALLATION

MD4967

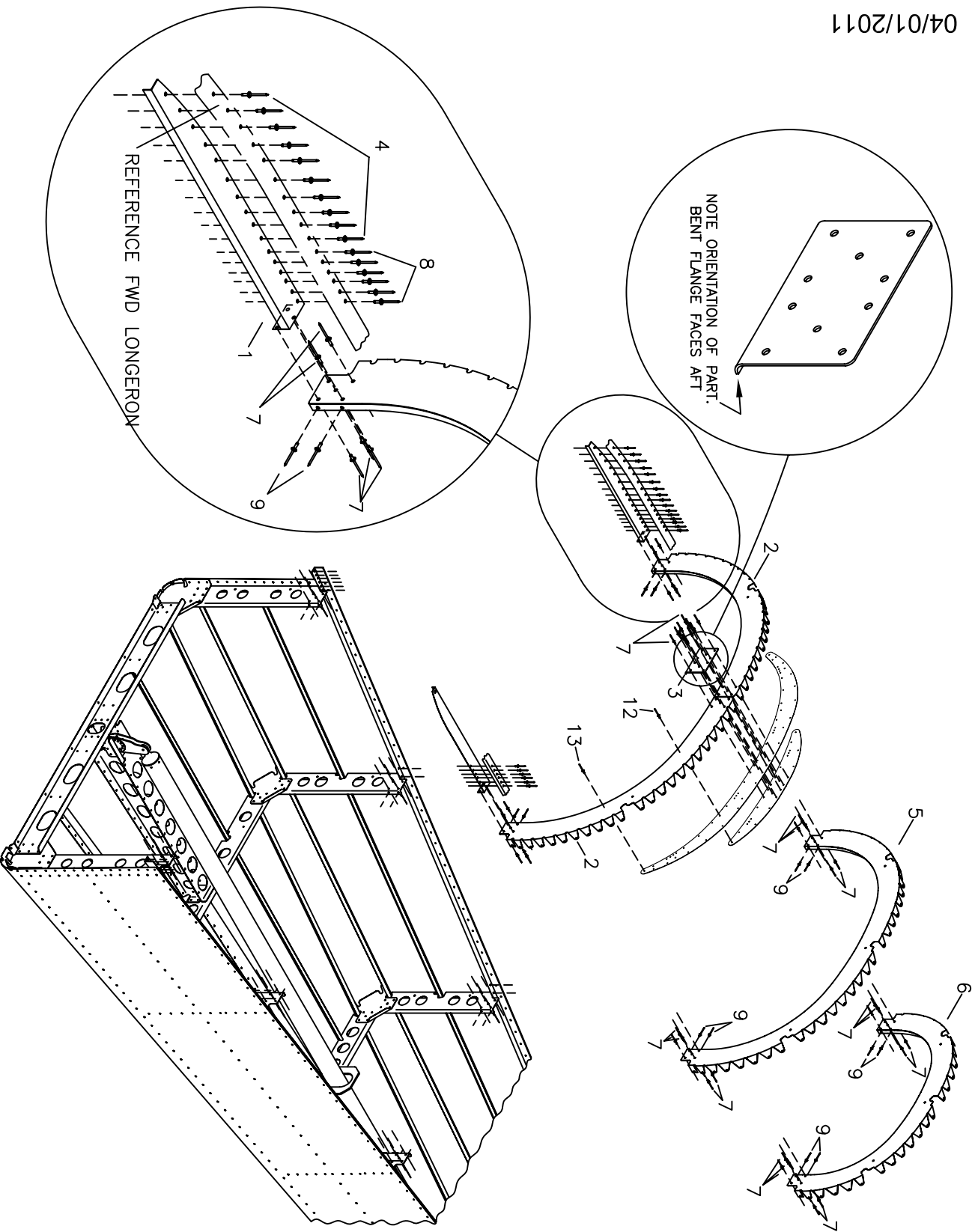
#	DESCRIPTION	PART NUMBER	QUANTITY
1.	Access Panel - Ring	KPFU0491	1
2.	1/8" Aluminum Rivet - Cherry Q	AAPQ-41	30
3.	3/32" Aluminum Rivet	40APR1/8	20
4.	Access Panel	KPFU0490	1
5.	#8 Single-Ear Nut Plate	MS21051-08	10
6.	Access Panel - Ring	KPAC0115	1
7.	Access Panel - Cover Plate	KPAC0114	1
8.	#8 Trusshead Screw	AN526-832R6	10

RANDS S-19 VENTERA BULKHEAD #1 ASSEMBLY

MD4987



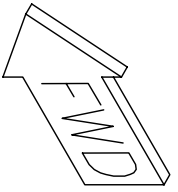
#	DESCRIPTION	PART NUMBER	QUANTITY
1.	Bulkhead - Side #1 - RH	KPFU0458-R	1
1.	Bulkhead - Side #1 - LH	KPFU0458-L	1
2.	1/8" Stainless Steel Rivet - Cherry Q	CCPQ-41	12
3.	Gusset - Bulkhead - LH	KPFU0459-L	1
3.	Gusset - Bulkhead - RH	KPFU0459-R	1
4.	Stiffener - Side Wall - RH	KPFU0473-R	2
4.	Stiffener - Side Wall - LH	KPFU0473-L	2
5.	1/8" Stainless Steel Rivet - Cherry Q	CCPQ-42	20
6.	Bulkhead - Belly #1	KPFU0457	1
7.	3/32" Aluminum Rivet	40APR1/8	16
8.	Reinforcement Plate - Footstep - LH	KPFU0475-L	1
8.	Reinforcement Plate - Footstep - RH	KPFU0475-R	1
9.	Spacer - Footstep	KPFU0476	2
10.	3/16" Single-Ear Nut Plate	MS21051-L3	4
11.	3/16" Nut Plate	K-1000-3	4
12.	1/8" Stainless Steel Rivet - Cherry Q	CCPQ-43	10



RFD S-19 VENTERRA BULKHEADS 1, 2 AND 3 TOP INSTALLATION

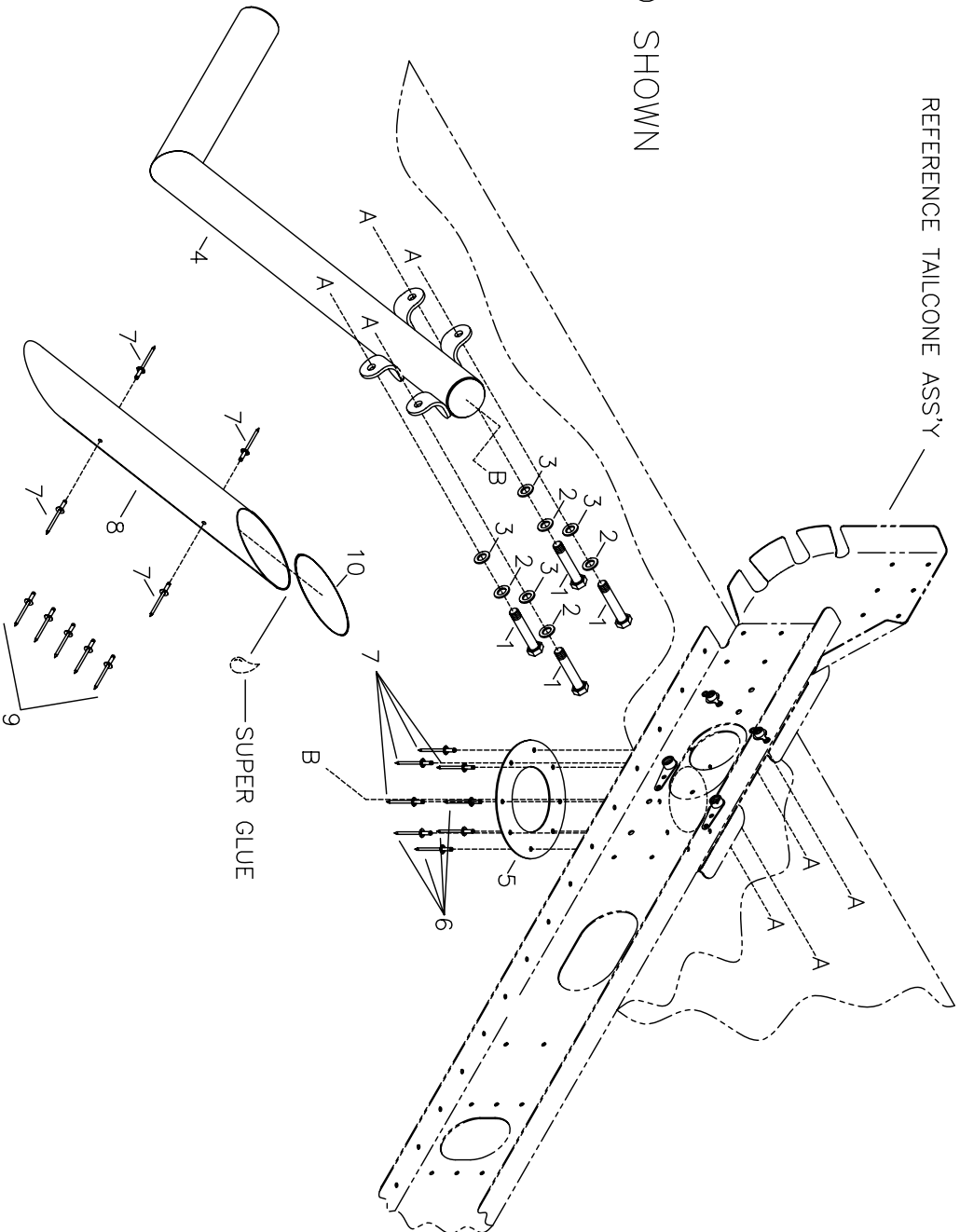
MD4971

#	DESCRIPTION	PART NUMBER	QUANTITY
1.	Gusset - Bulkhead - RH	KPFU0514-R	1
1.	Gusset - Bulkhead - LH	KPFU0514-L	1
2.	Bulkhead Top #1 - RH	KPFU0483-R	1
2.	Bulkhead Top #1 - LH	KPFU0483-L	1
3.	Bulkhead Top #1 - Splice	KPFU0484	1
4.	1/8" Aluminum Rivet - Flush	AACQ-42	20
5.	Bulkhead Top #2	KPFU0481	1
6.	Bulkhead Top #3	KPFU0482	1
7.	1/8" Aluminum Rivet - Cherry Q	AAPQ-42	64
8.	1/8" Stainless Steel Rivet - Cherry Q	CCPQ-44	22
9.	1/8" Stainless Steel Rivet - Cherry Q	CCPQ-42	12
10.	Bulkhead Reinforcement #1	KPFU0671	1
11.	Bulkhead Reinforcement #2	KPFU0672	1
12.	1/8" Aluminum Rivet - Cherry Q	AAPQ-44	10
13.	1/8" Aluminum Rivet - Cherry Q	AAPQ-43	10



REFERENCE TALCONE ASS'Y

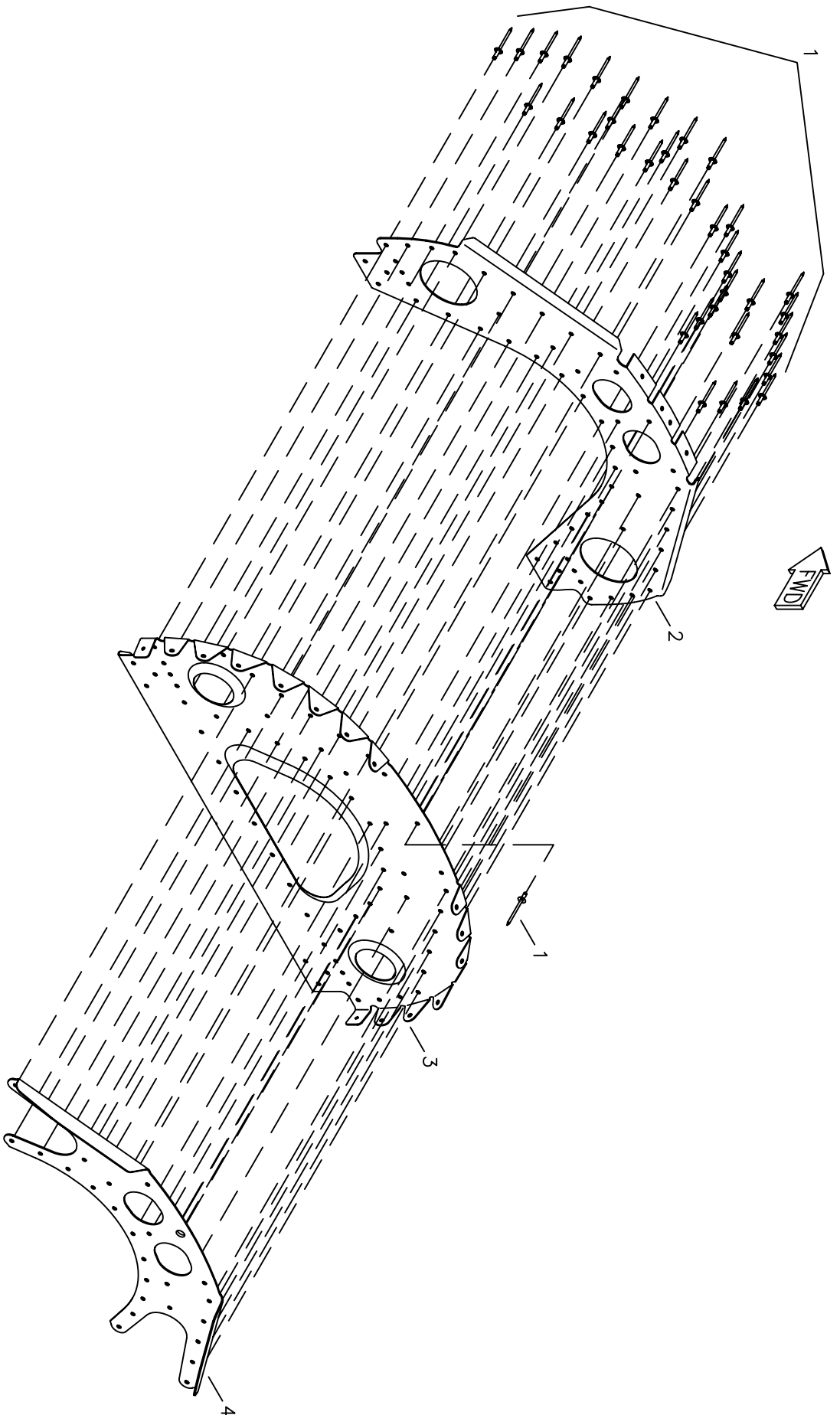
RIGHT HAND SHOWN



RRRrrrr S-19
FOOT STEP INSTALLATION

MD4772

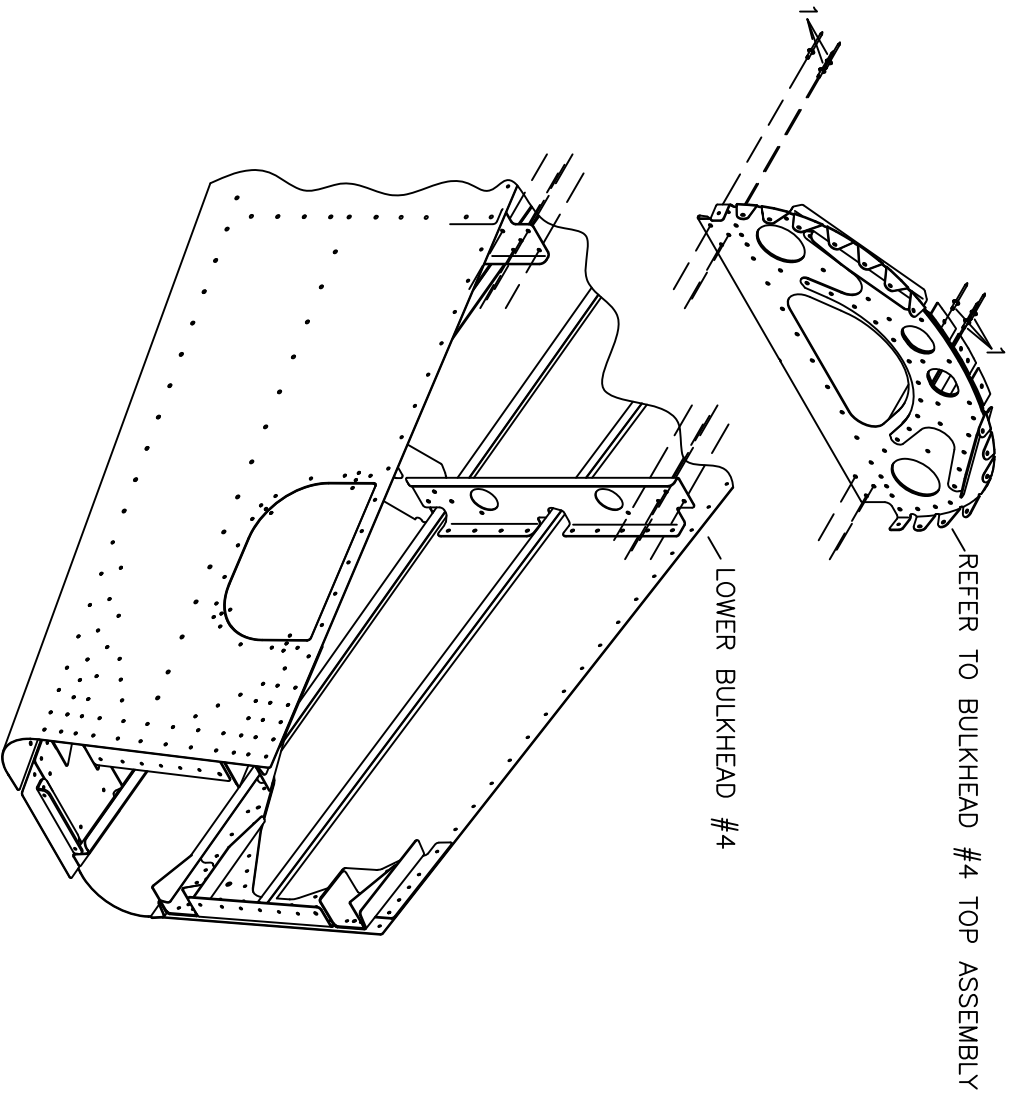
#	DESCRIPTION	PART NUMBER	QUANTITY
1.	3/16" Bolt	AN3-5A	8
2.	3/16" Thick Washer	AN960-10	8
3.	3/16" Thin Washer	AN960-10L	8
4.	Foot Step - RH	KPFU0477-R	1
4.	Foot Step - LH	KPFU0477-L	1
5.	Patch - Foot Step	KPFU0516	2
6.	1/8" Aluminum Rivet - Cherry Q	AAPQ-41	8
7.	1/8" Aluminum Rivet - Cherry Q	AAPQ-42	16
8.	Foot Step Fairing - RH	KPFU0479-R	1
8.	Foot Step Fairing - LH	KPFU0479-L	1
9.	3/32" Aluminum Rivet	40APR1/8	10
10.	Rubber Trim	8510K11	16 in.



**RRRND08 S-19 VENTERRA
BULKHEAD #4 TOP ASSEMBLY**

MD4969

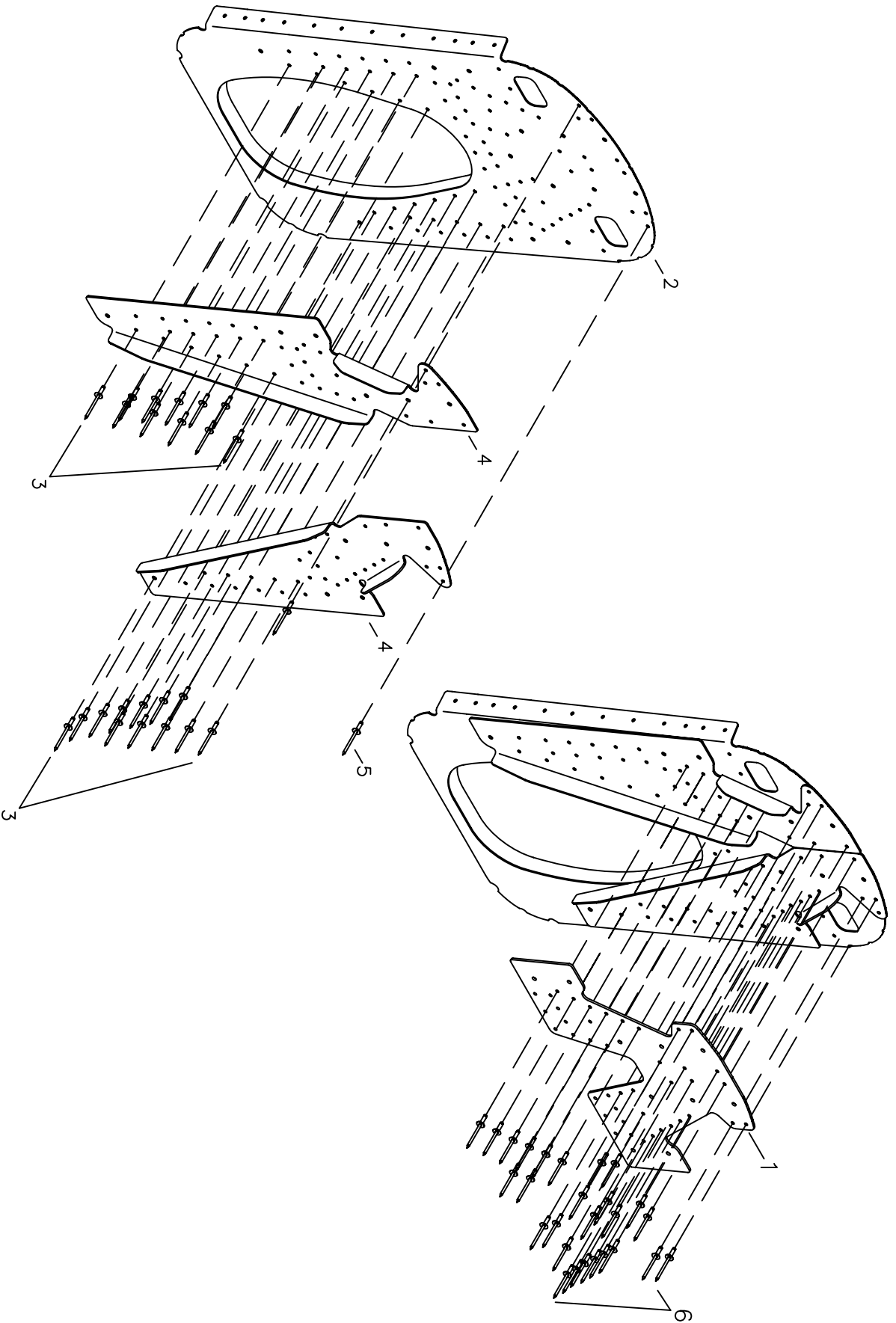
#	DESCRIPTION	PART NUMBER	QUANTITY
1.	1/8" Stainless Steel Rivet - Cherry Q	CCPQ-42	37
2.	Bulkhead Reinforcement	KPFU0485	1
3.	Bulkhead Top #4	KPFU0486	1
4.	Bulkhead Reinforcement	KPFU0492	1



**RRRND88 S-19 VENTERRA
BULKHEAD #4 TOP INSTALLATION**

MD4970

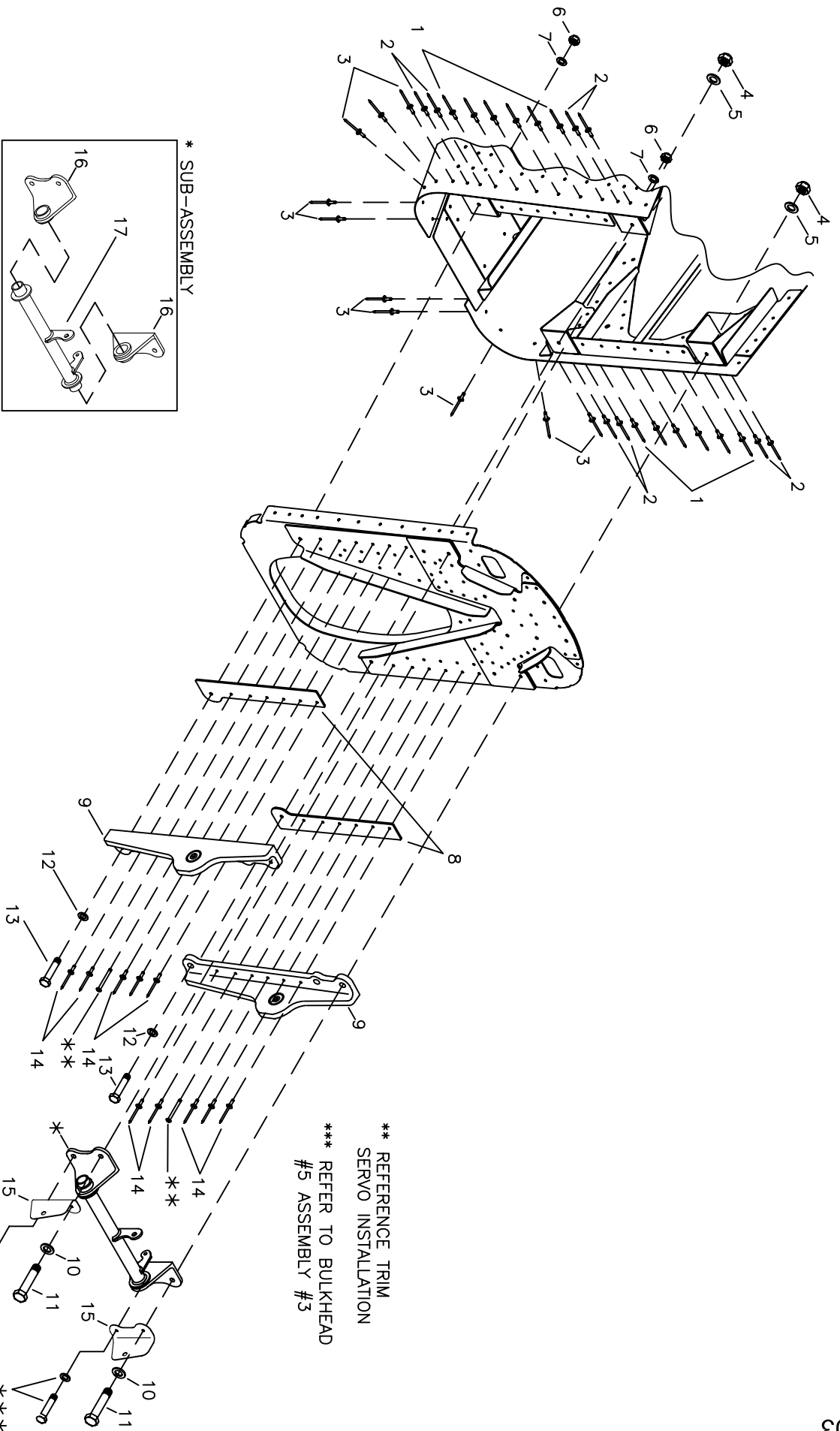
#	DESCRIPTION	PART NUMBER	QUANTITY
1.	1/8" Stainless Steel Rivet - Cherry Q	CCPQ-42	6



RRRND08 S-19 VENTERRA
BULKHEAD #5 ASSEMBLY AND INSTALLATION #1

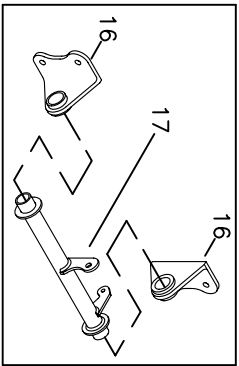
MD4972

#	DESCRIPTION	PART NUMBER	QUANTITY
1.	Plate - Bulkhead Reinforcement	KPFU0500	1
2.	Bulkhead #5	KPFU0504	1
3.	1/8" Aluminum Rivet - Cherry Q	AAPQ-42	22
4.	Gusset - Bulkhead Reinforcement - RH	KPFU0503-R	1
4.	Gusset - Bulkhead Reinforcement - LH	KPFU0503-L	1
5.	1/8" Stainless Steel Rivet - Cherry Q	CCPQ-42	2
6.	1/8" Stainless Steel Rivet - Cherry Q	CCPQ-43	27



** REFERENCE TRIM
SERVO INSTALLATION
*** REFER TO BULKHEAD
#5 ASSEMBLY #3

* SUB-ASSEMBLY

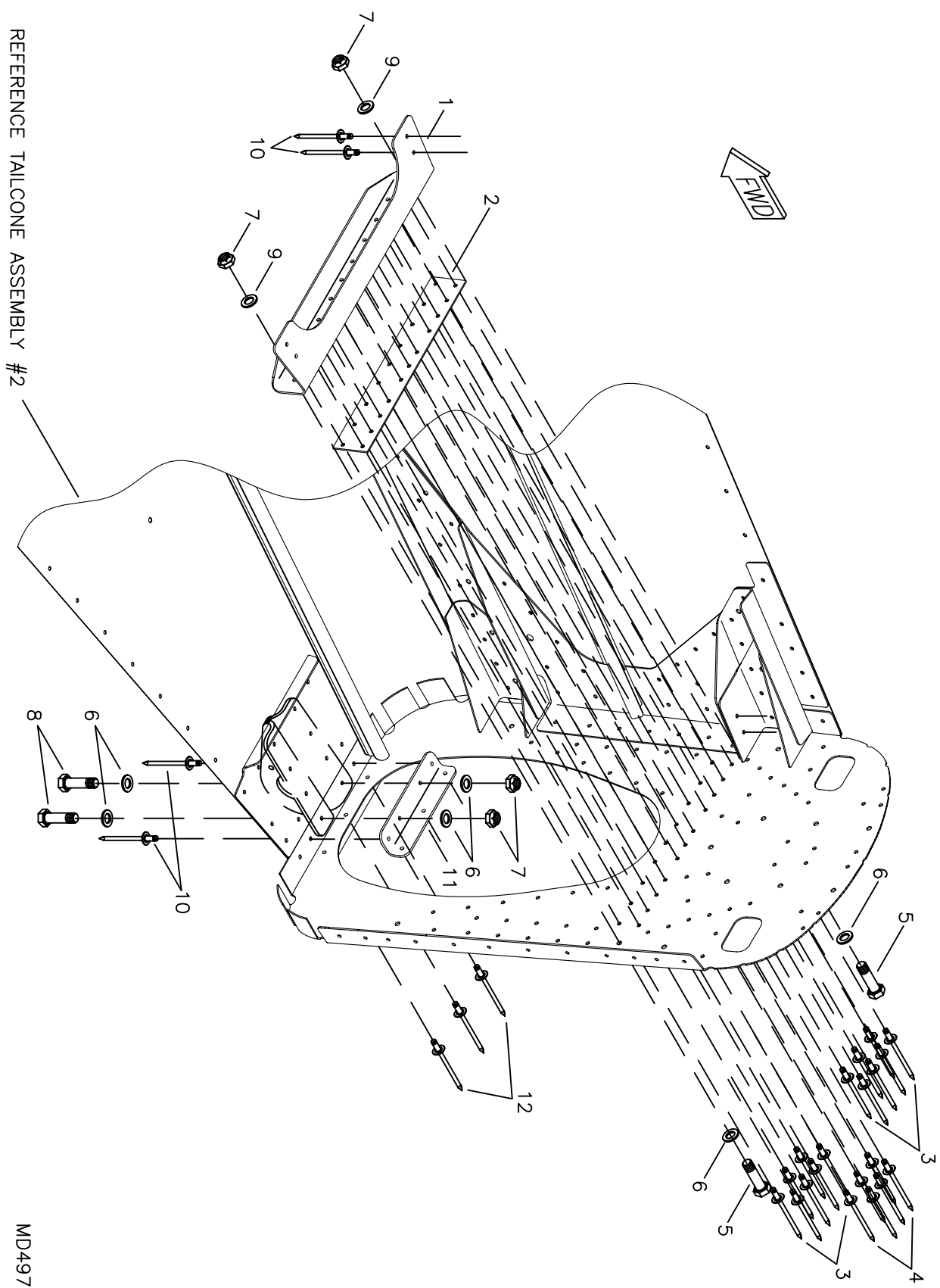


MD4972
REV. A

RRRMD S-19 VENTERA
BULKHEAD #5 ASSEMBLY AND INSTALLATION #2

#	DESCRIPTION	PART NUMBER	QUANTITY
1.	1/8" Stainless Steel Rivet - Cherry Q	CCPQ-42	12
2.	1/8" Stainless Steel Rivet - Cherry Q	CCPQ-43	26
3.	1/8" Aluminum Rivet - Cherry Q	AAPQ-42	10
4.	1/4" Tensile Nut	AN365-428A	2
5.	1/4" Thick Washer	AN960-416	2
6.	3/16" Tensile Nut	AN365-1032A	2
7.	3/16" Thick Washer	AN960-10	2
8.	Shim *	KPFU0501	1
9.	Stabilator Attach Angle - RH	KPFU0506-R	1
9.	Stabilator Attach Angle - LH	KPFU0506-L	1
10.	1/4" Thin Washer	AN960-416L	2
11.	1/4" Bolt	AN4-11A	2
12.	3/16" Thin Washer	AN960-10L	2
13.	3/16" Bolt	AN3-7A	2
14.	1/8" Aluminum Rivet - Cherry Q	AAPQ-48	12
15.	Tailcone Closeout - Capture Angle - LH	KPFU0536-L	1
15.	Tailcone Closeout - Capture Angle - RH	KPFU0536-R	1
16.	Angle - Trim Torque Tube Attach - RH	KPTR0047-R	1
16.	Angle - Trim Torque Tube Attach - LH	KPTR0047-L	1
17.	Trim Torque Tube	KPTR0048	1

* Builder modifies



REFERENCE TALCONE ASSEMBLY #2

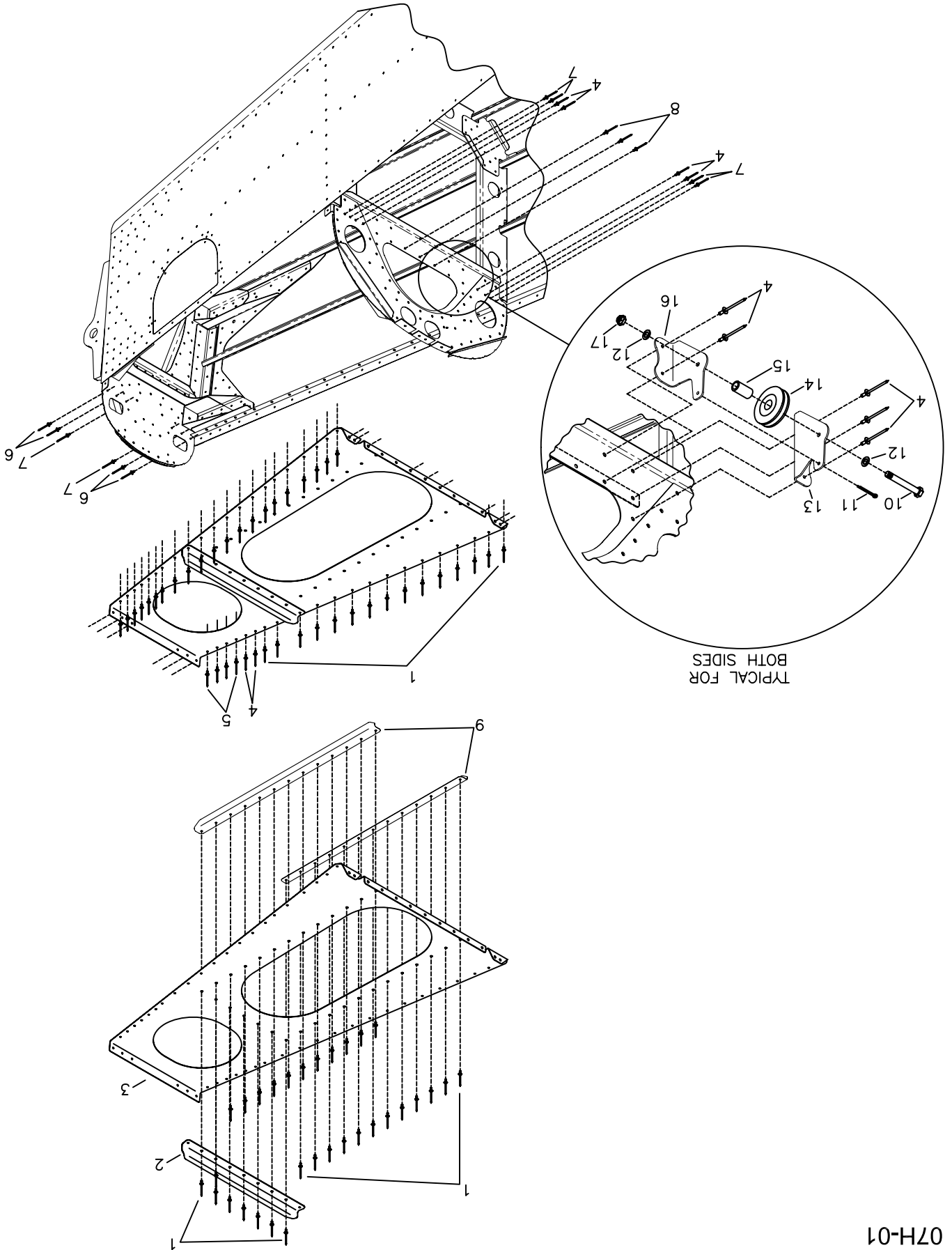
RRRNDG S-19 VENTERRA
BULKHEAD #5 ASSEMBLY AND INSTALLATION #3

MD4972

#	DESCRIPTION	PART NUMBER	QUANTITY
1.	Channel - Bulkhead Reinforcement	KPFU0505	1
2.	Shim	KPFU0502	1
3.	1/8" Stainless Steel Rivet - Cherry Q	CCPQ-45	14
4.	1/8" Aluminum Rivet - Cherry Q	AAPQ-43	6
5.	3/16" Bolt	AN3-11A	2
6.	3/16" Thin Washer	AN960-10L	6
7.	3/16" Tensile Nut	AN365-1032A	4
8.	3/16" Bolt	AN3-5A	2
9.	3/16" Thick Washer	AN960-10	2
10.	1/8" Stainless Steel Rivet - Cherry Q	CCPQ-43	6
11.	Angle - Tie Down Fitting	KPFU0510	1
12.	1/8" Stainless Steel Rivet - Cherry Q	CCPQ-42	3

RRRMS S-19 VENTERA REAR DECK INSTALLATION

MD4974



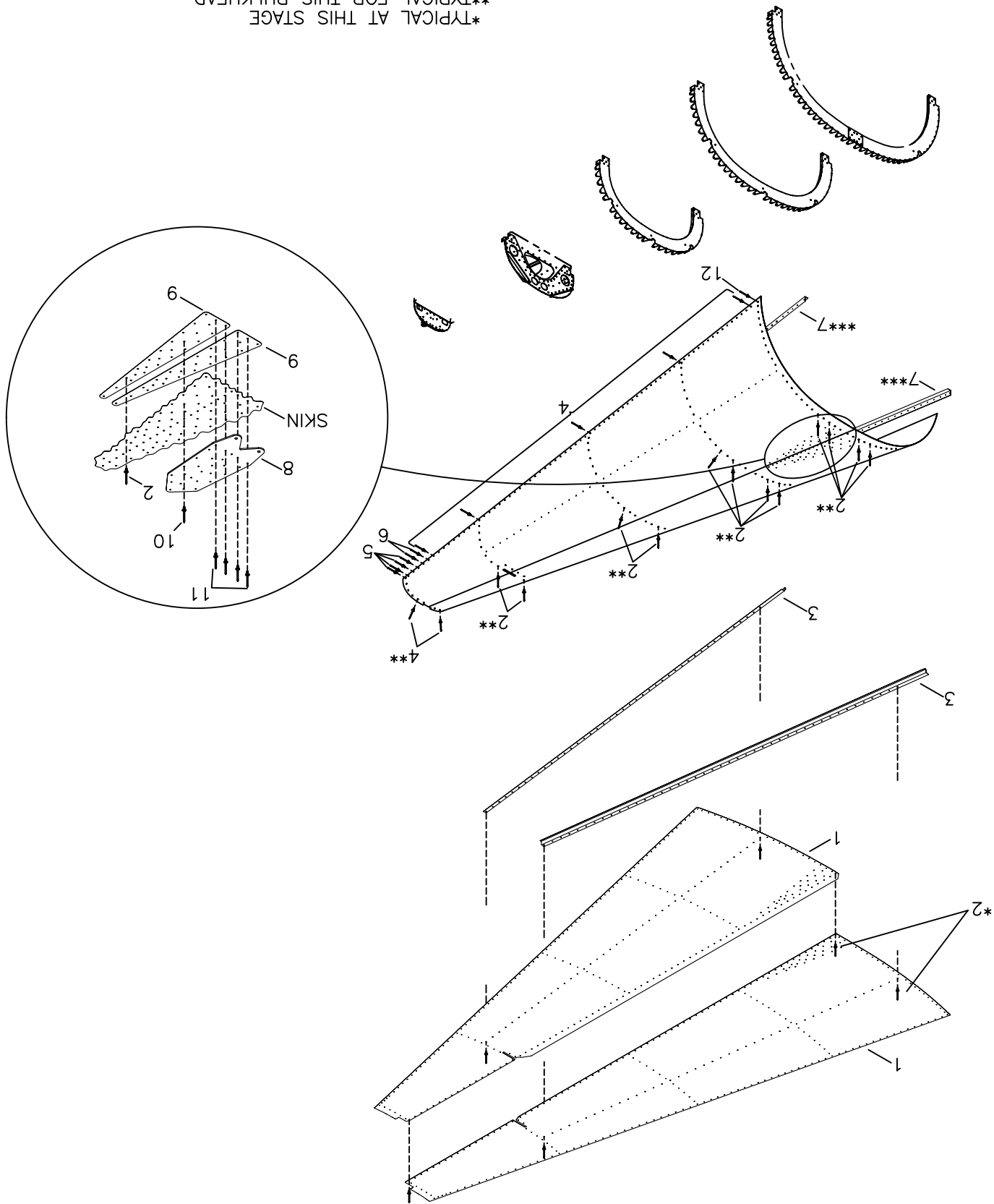
#	DESCRIPTION	PART NUMBER	QUANTITY
1.	1/8" Aluminum Rivet - Avex	1691-0410	61
2.	Stiffener - Closeout Skin	KPFU0487	1
3.	Closeout Skin	KPFU0489	1
4.	1/8" Stainless Steel Rivet - Cherry Q	CCPQ-42	18
5.	1/8" Stainless Steel Rivet - Cherry Q	CCPQ-44	8
6.	1/8" Aluminum Rivet - Cherry Q	AAPQ-42	4
7.	1/8" Stainless Steel Rivet - Cherry Q	CCPQ-43	6
8.	1/8" Aluminum Rivet - Cherry Q	AAPQ-41	7
9.	Stiffener - Closeout Skin	KPFU0488	2
10.	3/16" Bolt	AN3-10A	2
11.	Cotter Pin - Large	MS24665-287	2
12.	3/16" Thick Washer	AN960-10	4
13.	Pulley Attach Bracket - LH	KPRD0082-L	1
13.	Pulley Attach Bracket - RH	KPRD0082-R	1
14.	Pulley	AN210-3A	2
15.	Bushing - 1/4" x 0.028" x 1/2" *	KAAC0044-2	0
16.	Pulley Attach Bracket - LH	KPRD0081-L	1
16.	Pulley Attach Bracket - RH	KPRD0081-R	1
17.	3/16" Shear Nut	AN364-1032A	2

* Builder fabricates from raw stock.

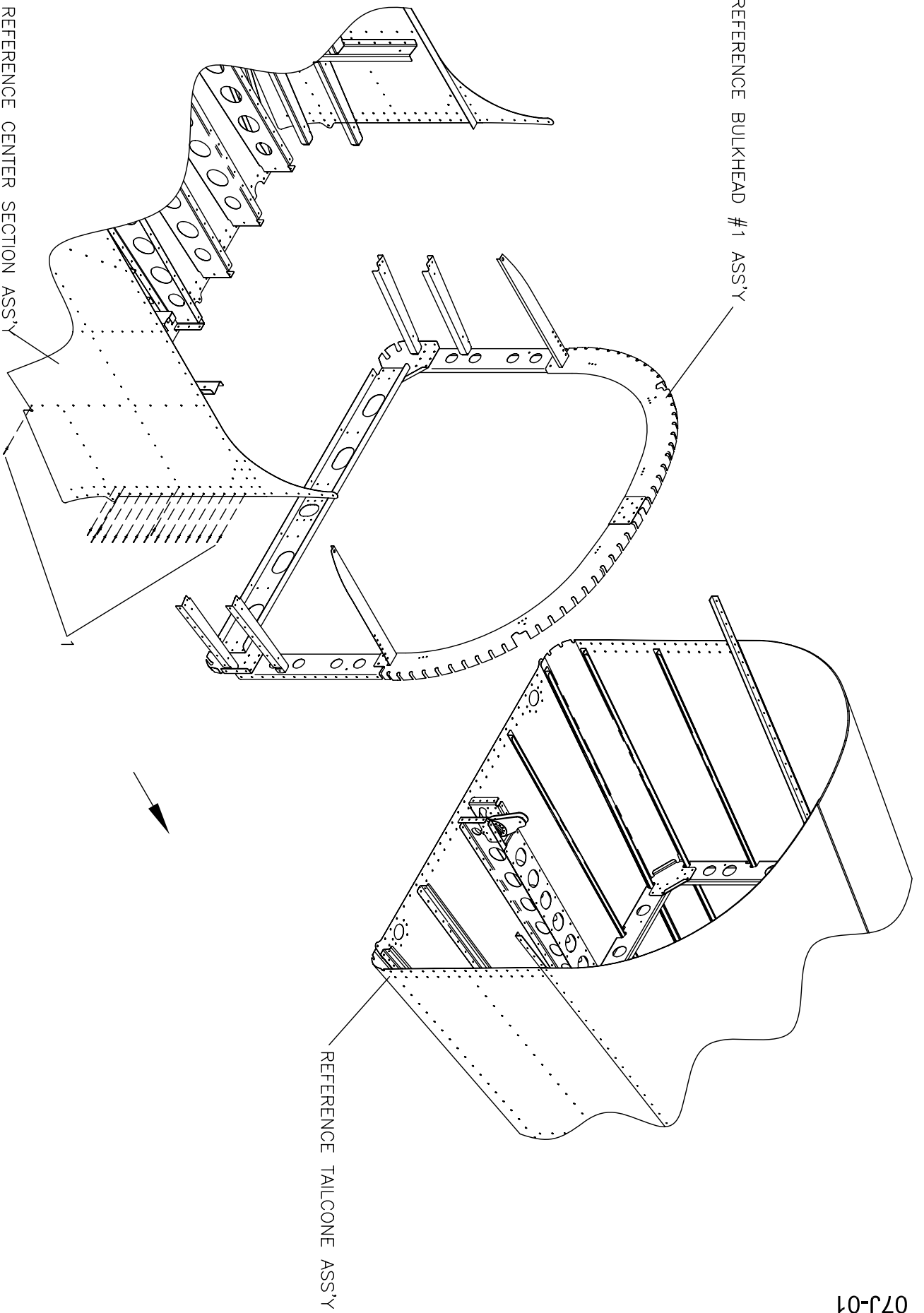
RPN S-19 VENTRA TAILCONE TOP SKIN INSTALLATION

MD4982

*TYPICAL AT THIS STAGE
**TYPICAL FOR THIS BULKHEAD
***INSTALLED ON INSIDE OF TAILCONE SIDE SKIN



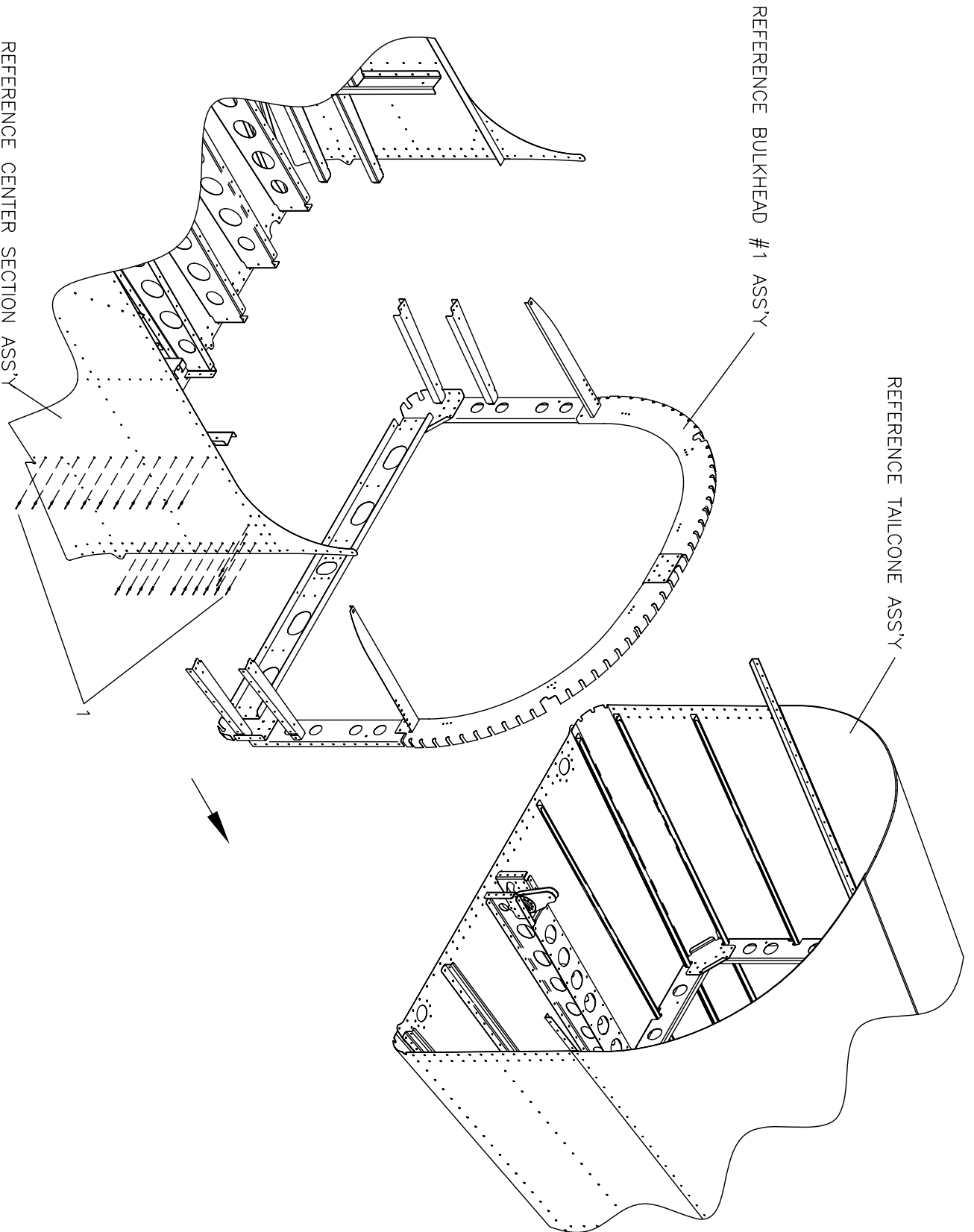
#	DESCRIPTION	PART NUMBER	QUANTITY
1.	Tailcone Top Skin - RH	KPFU0673-R	1
1.	Tailcone Top Skin - LH	KPFU0673-L	1
2.	1/8" Aluminum Rivet - Avex	1691-0410	346
3.	Stiffener - Tailcone Top Skin - RH	KPFU0512-R	1
3.	Stiffener - Tailcone Top Skin - LH	KPFU0512-L	1
4.	1/8" Aluminum Rivet - Cherry Q	AAPQ-42	126
5.	1/8" Stainless Steel Rivet - Cherry Q	CCPQ-43	8
6.	1/8" Aluminum Rivet - Cherry Q	AAPQ-43	4
7.	Tailcone Longeron	KPFU0517	2
8.	Seat Belt Attach Angle	KPFU0659	1
9.	Seat Belt Gusset	KPFU0660	2
10.	1/8" Stainless Steel Rivet - Cherry Q	CCPQ-44	23
11.	1/8" Stainless Steel Rivet - Cherry Q	CCPQ-45	4
12.	1/8" Aluminum Rivet - Cherry Q	AAPQ-44	2



RRRND08 S-19 VENTERRA
TAILCONE TO CENTER SECTION INSTALLATION #1

MD5015

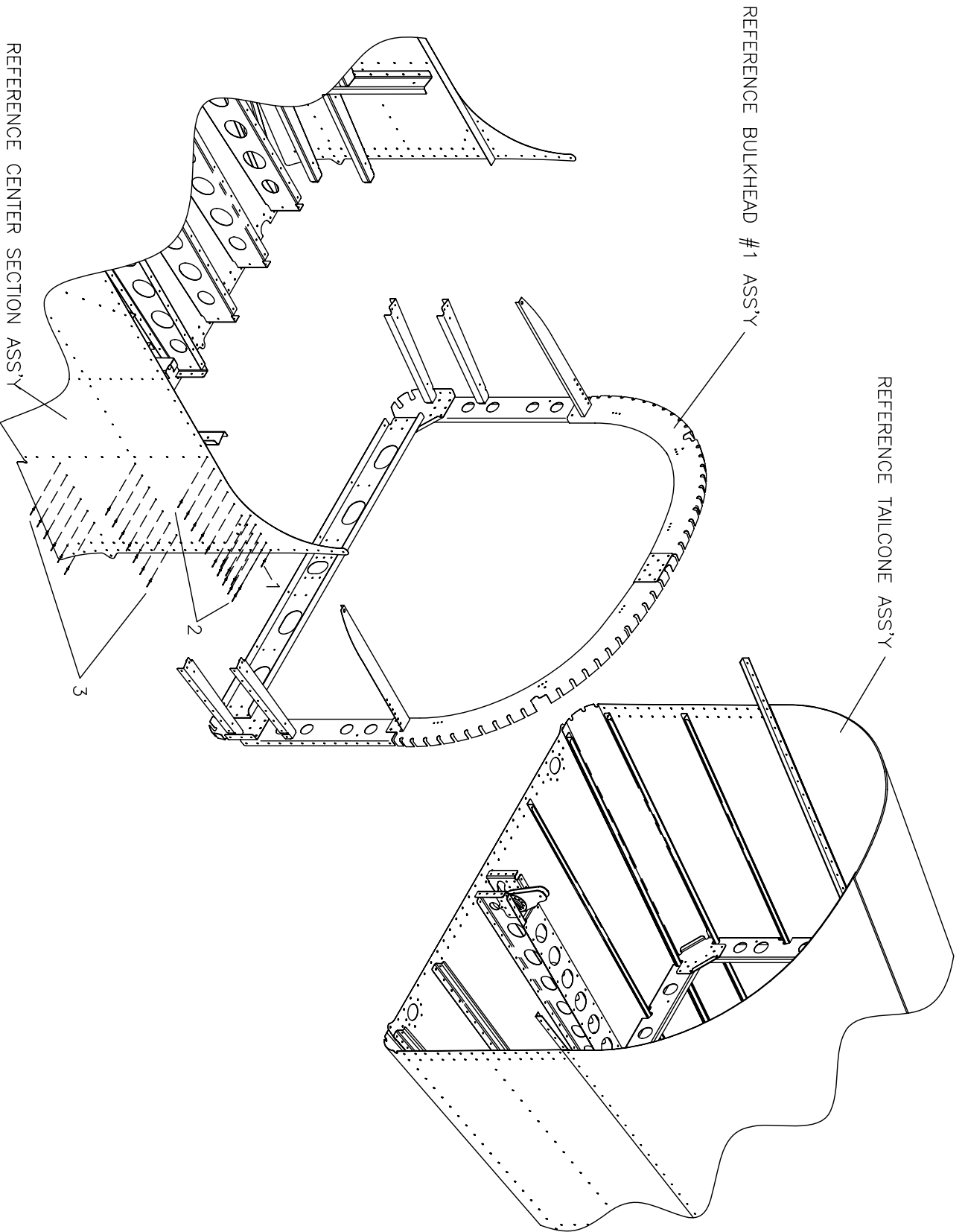
#	DESCRIPTION	PART NUMBER	QUANTITY
1.	1/8" Aluminum Rivet - Cherry Q	AAPQ-42	34



RRRND08 S-19 VENTERRA
TAILCONE TO CENTER SECTION INSTALLATION #2

MD5015

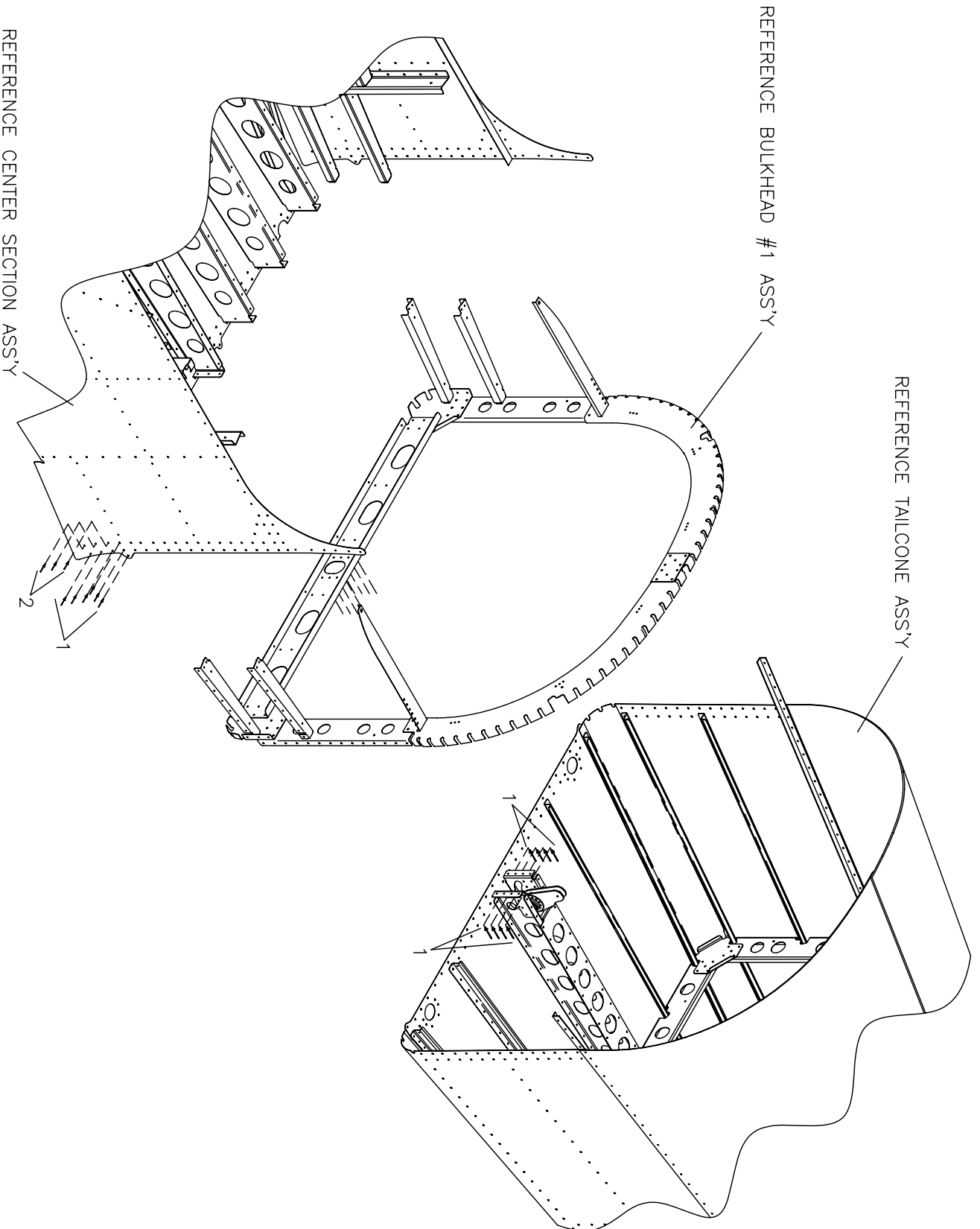
#	DESCRIPTION	PART NUMBER	QUANTITY
1.	1/8" Aluminum Rivet - Cherry Q	AAPQ-41	46



RRRNDG S-19 VENTERRA
TAILCONE TO CENTER SECTION INSTALLATION #3

MD5015

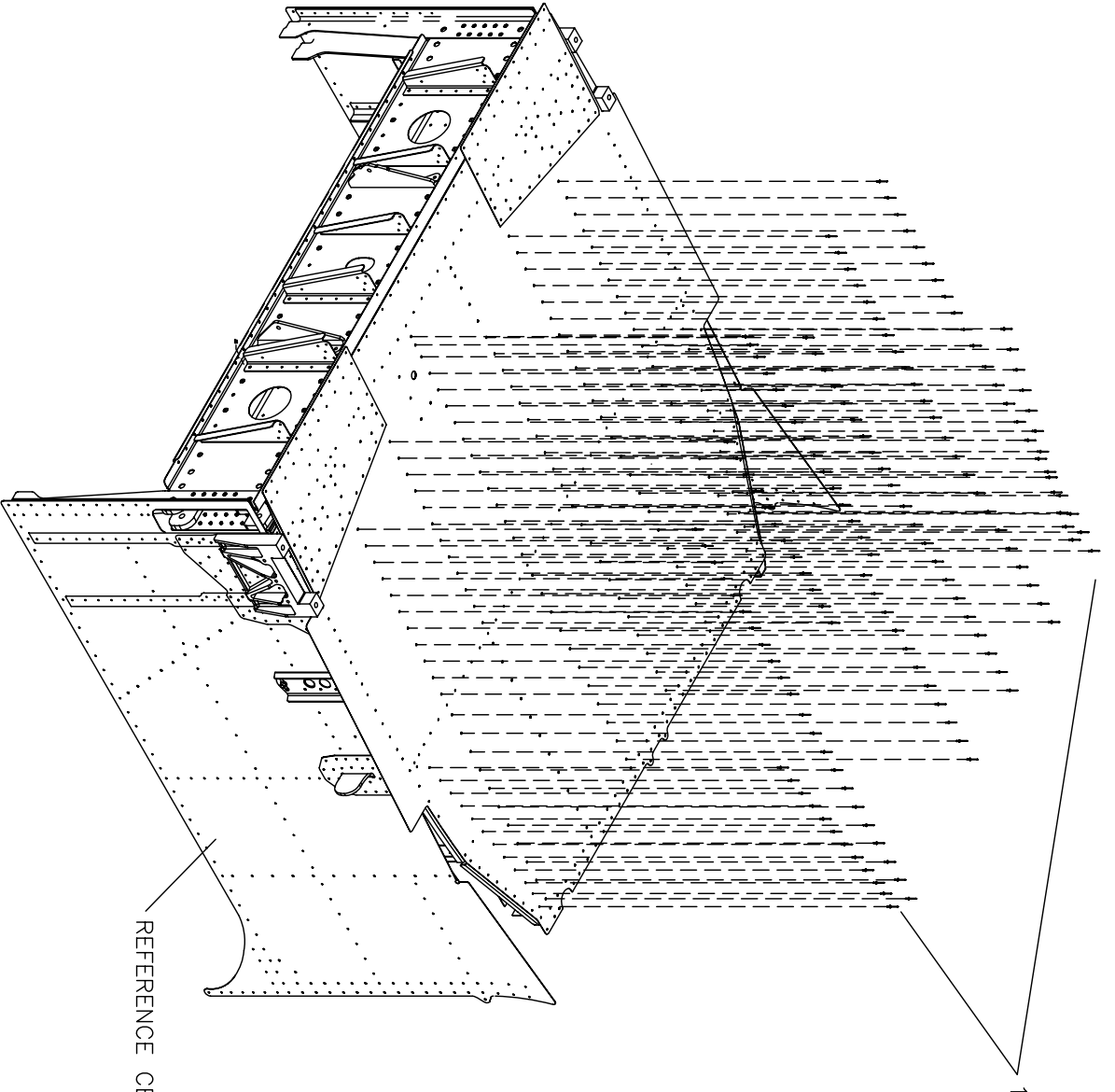
#	DESCRIPTION	PART NUMBER	QUANTITY
1.	1/8" Aluminum Rivet - Cherry Q	AAPQ-44	2
2.	1/8" Aluminum Rivet - Cherry Q	AAPQ-43	28
3.	1/8" Aluminum Rivet - Avex	1691-0410	26



RRRNDOS S-19 VENTERRA
TAILCONE TO CENTER SECTION INSTALLATION #4

MD5015

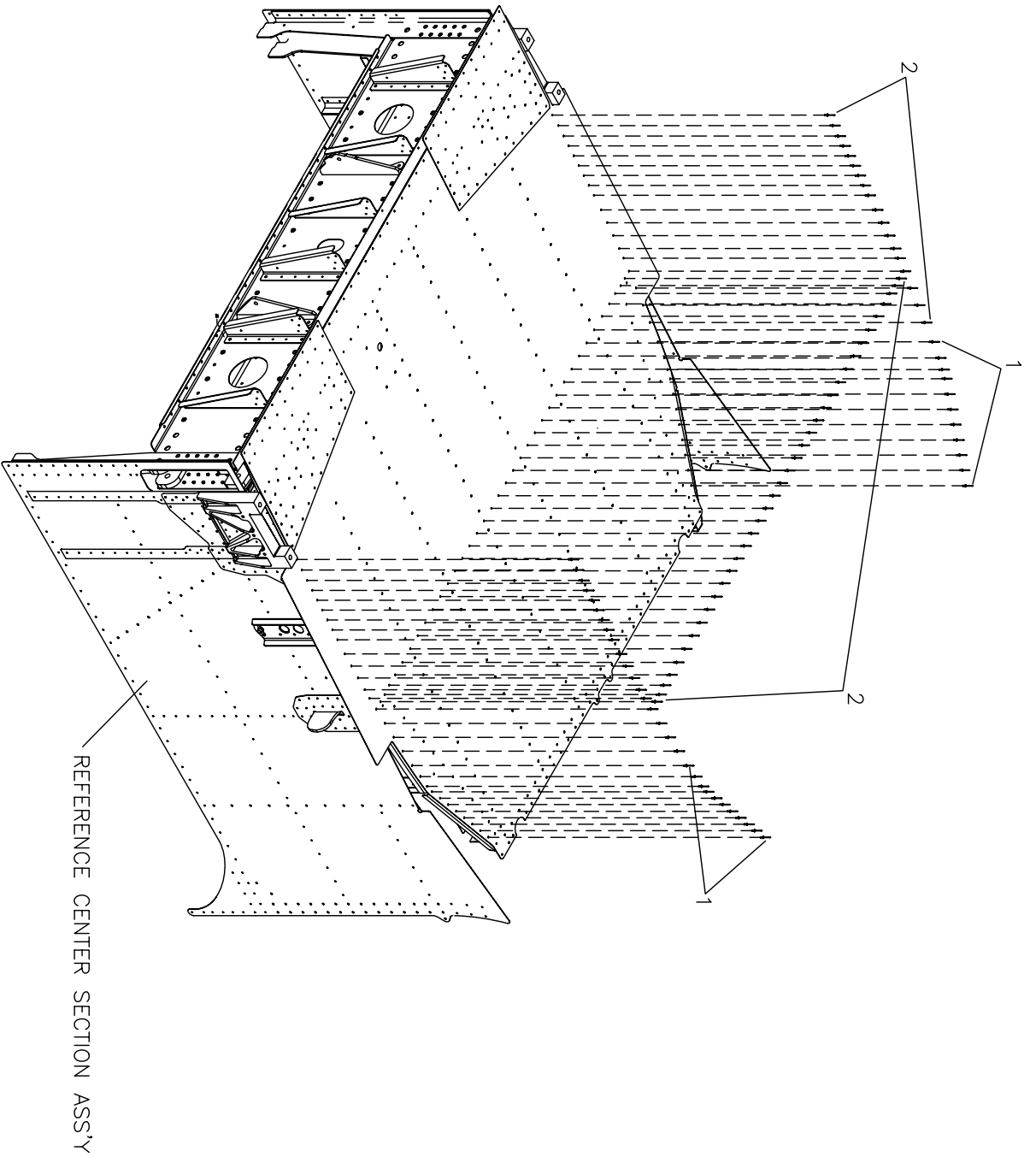
#	DESCRIPTION	PART NUMBER	QUANTITY
1.	1/8" Stainless Steel Rivet - Cherry Q	CCPQ-42	20
2.	1/8" Stainless Steel Rivet - Cherry Q	CCPQ-43	6



RRF0108 S-19 VENTERRA
TAILCONE TO CENTER SECTION INSTALLATION #5

MD5015

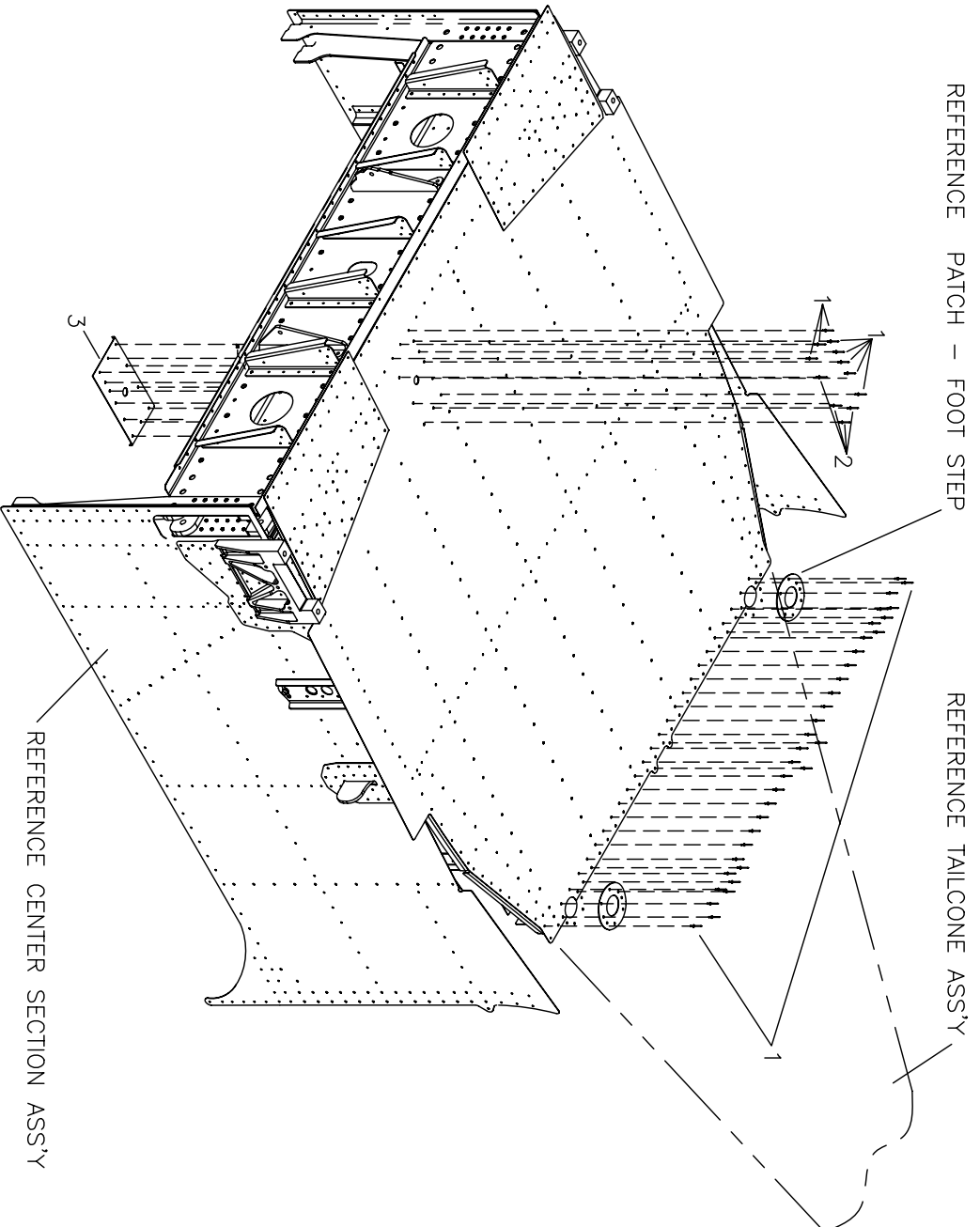
#	DESCRIPTION	PART NUMBER	QUANTITY
1.	1/8" Aluminum Rivet - Avex	1691-0410	168



RRRNDG S-19 VENTERRA
TAILCONE TO CENTER SECTION INSTALLATION #6

MD5015

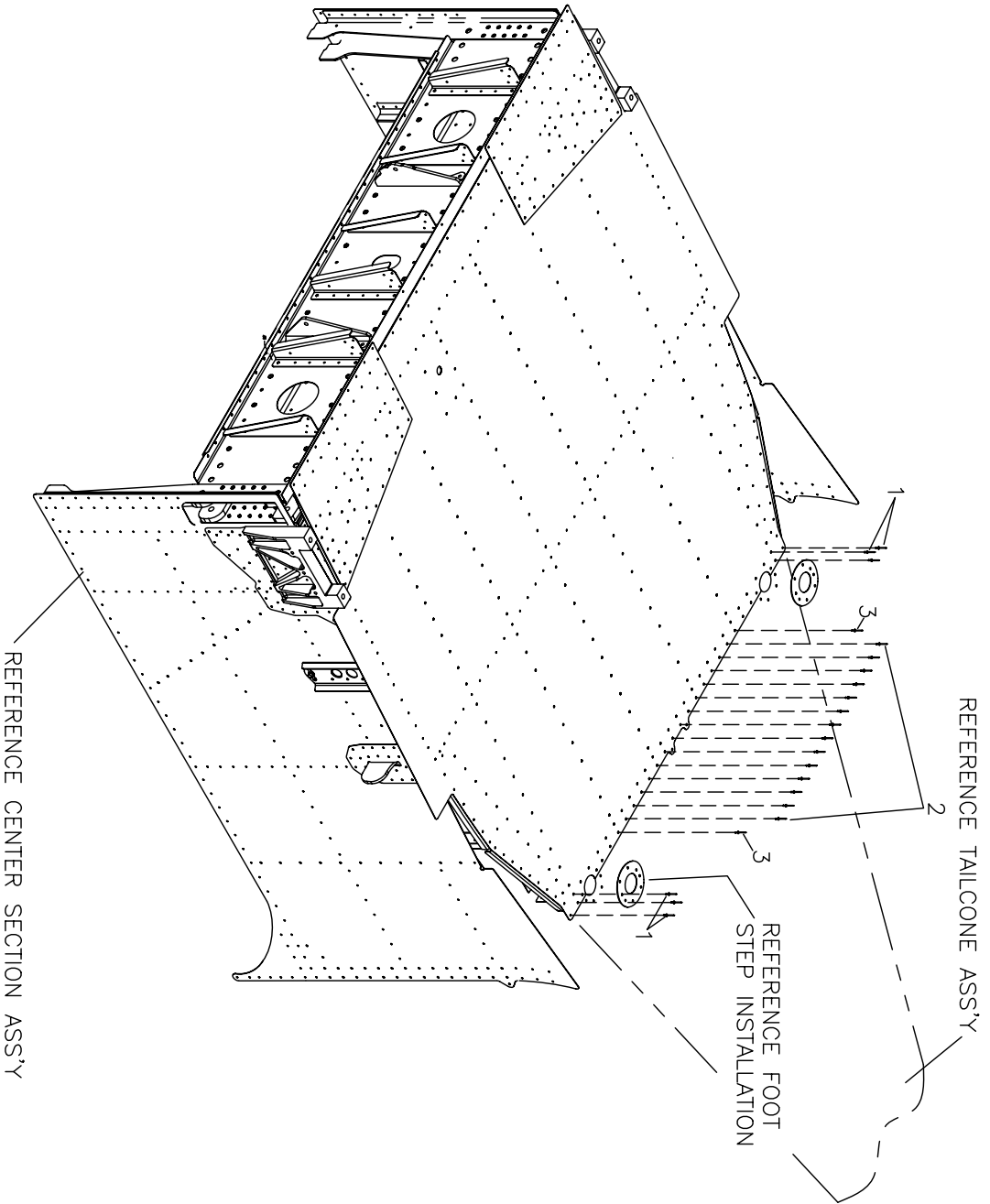
#	DESCRIPTION	PART NUMBER	QUANTITY
1.	1/8" Aluminum Rivet - Cherry Q	AAPQ-42	22
2.	1/8" Aluminum Rivet - Cherry Q	AAPQ-41	72



RRRRII S-19 VENTERRA
TAILCONE TO CENTER SECTION INSTALLATION #7

MD5015

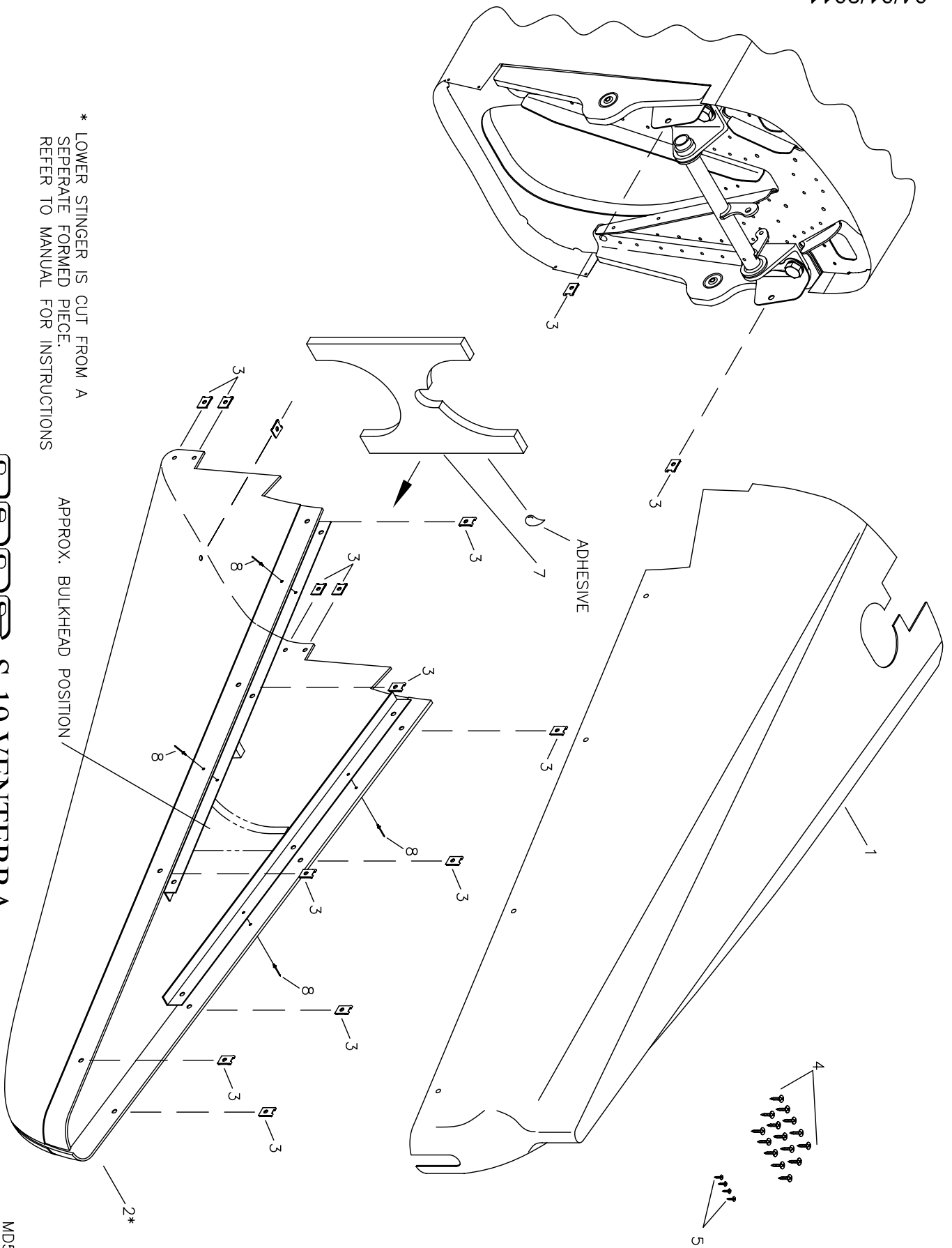
#	DESCRIPTION	PART NUMBER	QUANTITY
1.	1/8" Aluminum Rivet - Cherry Q	AAPQ-42	42
2.	1/8" Aluminum Rivet - Cherry Q	AAPQ-41	4
3.	Antenna Plate - Transponder	KPAV0028	1



RRFDN08 S-19 VENTERRA
TAILCONE TO CENTER SECTION INSTALLATION #8

MD5015

#	DESCRIPTION	PART NUMBER	QUANTITY
1.	1/8" Stainless Steel Rivet - Cherry Q	CCPQ-42	6
2.	1/8" Aluminum Rivet - Cherry Q	AAPQ-41	14
3.	1/8" Aluminum Rivet - Cherry Q	AAPQ-43	2



* LOWER STINGER IS CUT FROM A SEPERATE FORMED PIECE. REFER TO MANUAL FOR INSTRUCTIONS

APPROX. BULKHEAD POSITION

RR Donop S-19 VENTERA
TAILCONE STINGER INSTALLATION

MD5216

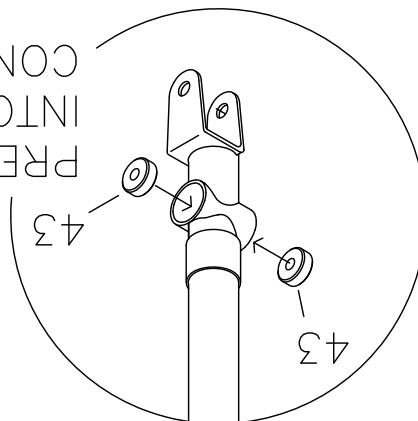
#	DESCRIPTION	PART NUMBER	QUANTITY
1.	Tailcone Stinger - Upper	KPFU0645	1
2.	Tailcone Stinger - Lower	KPFU0646	1
3.	Tinnerman	A1789-8Z-1	15
4.	#8 Pan Head Screw	8X1/2 PHS	15
5.	#4 Pan Head Screw	4X1/4 PHS	4
6.	Tailcone Stinger - Stiffener Angle	KPFU0647	2
7.	Bulkhead - Tailcone Stinger	KPFU0654	1
8.	3/32" Aluminum Rivet	40APR1/8	4

08 – FUSELAGE – SYSTEMS

CONTROL STICK ASSEMBLY.....	08-01 - 08-02
AFT STABILATOR PUSH-PULL TUBE INSTALLATION.....	08-03 - 08-04
FUEL SHUT-OFF VALVE INSTALLATION.....	08A-01 - 08A-02
FLAP MECHANISM INSTALLATION.....	08B-01 - 08B-02
FLAP TORQUE TUBE INSTALLATION #1.....	08B-03 - 08B-04
FLAP TORQUE TUBE INSTALLATION #2.....	08B-05 - 08B-06
TRIM SERVO INSTALLATION	08C-01 - 08C-02
OPTIONAL VENT SYSTEM INSTALLATION	08D-01 - 08D-02
OPTIONAL AVIONICS HEAT EXHAUST FAN INSTALLATION	08E-01 - 08E-02
OPTIONAL ROLL SERVO INSTALLATION	08F-01 - 08F-02
OPTIONAL PITCH SERVO INSTALLATION.....	08F-03 - 08F-04

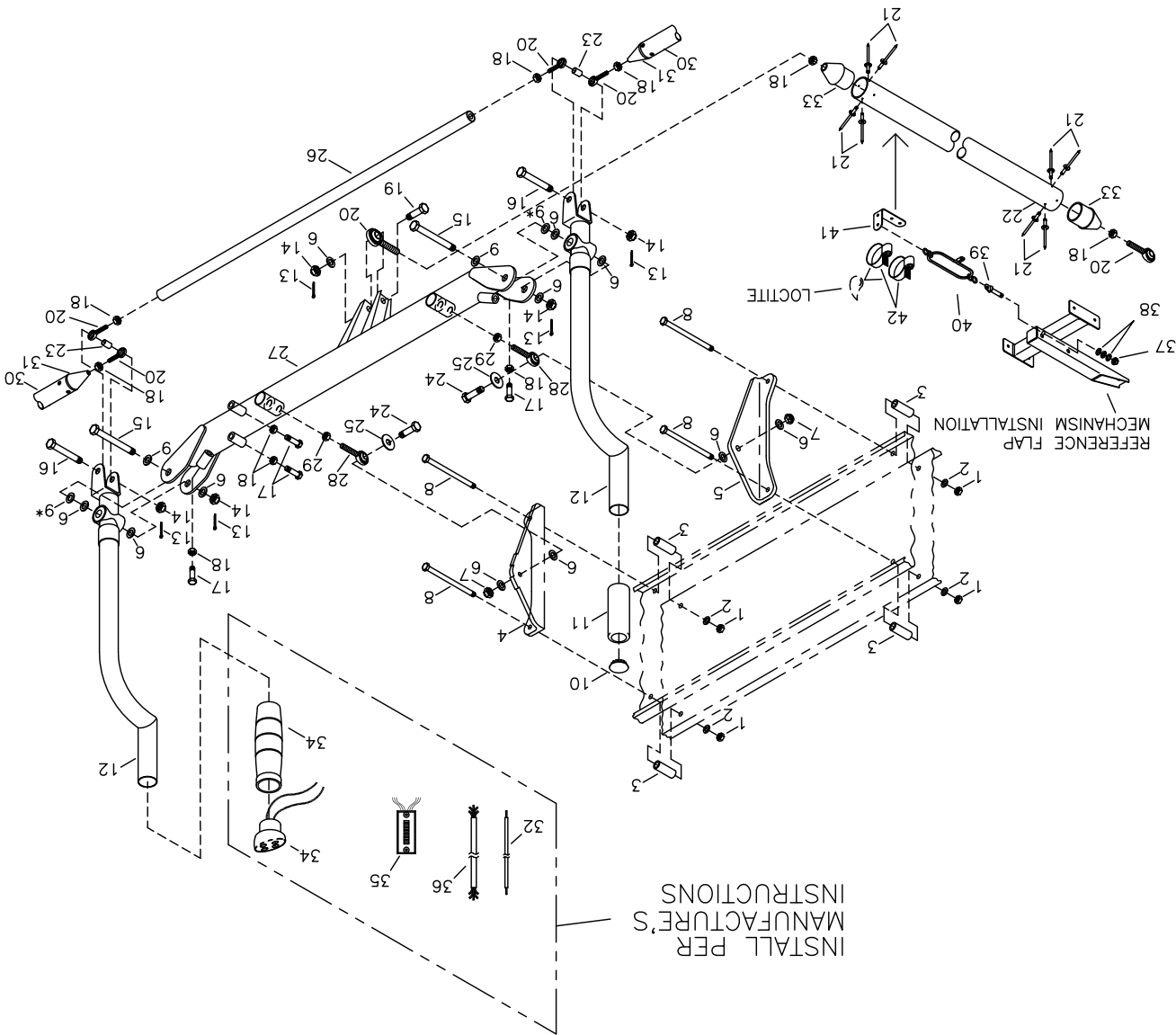
RRMS S-19 VENTURA CONTROL STICK ASSEMBLY

CONTROL STICK
PRESS BEARINGS
INTO BASE OF



MD4770
REV. A.

* AS REQUIRED



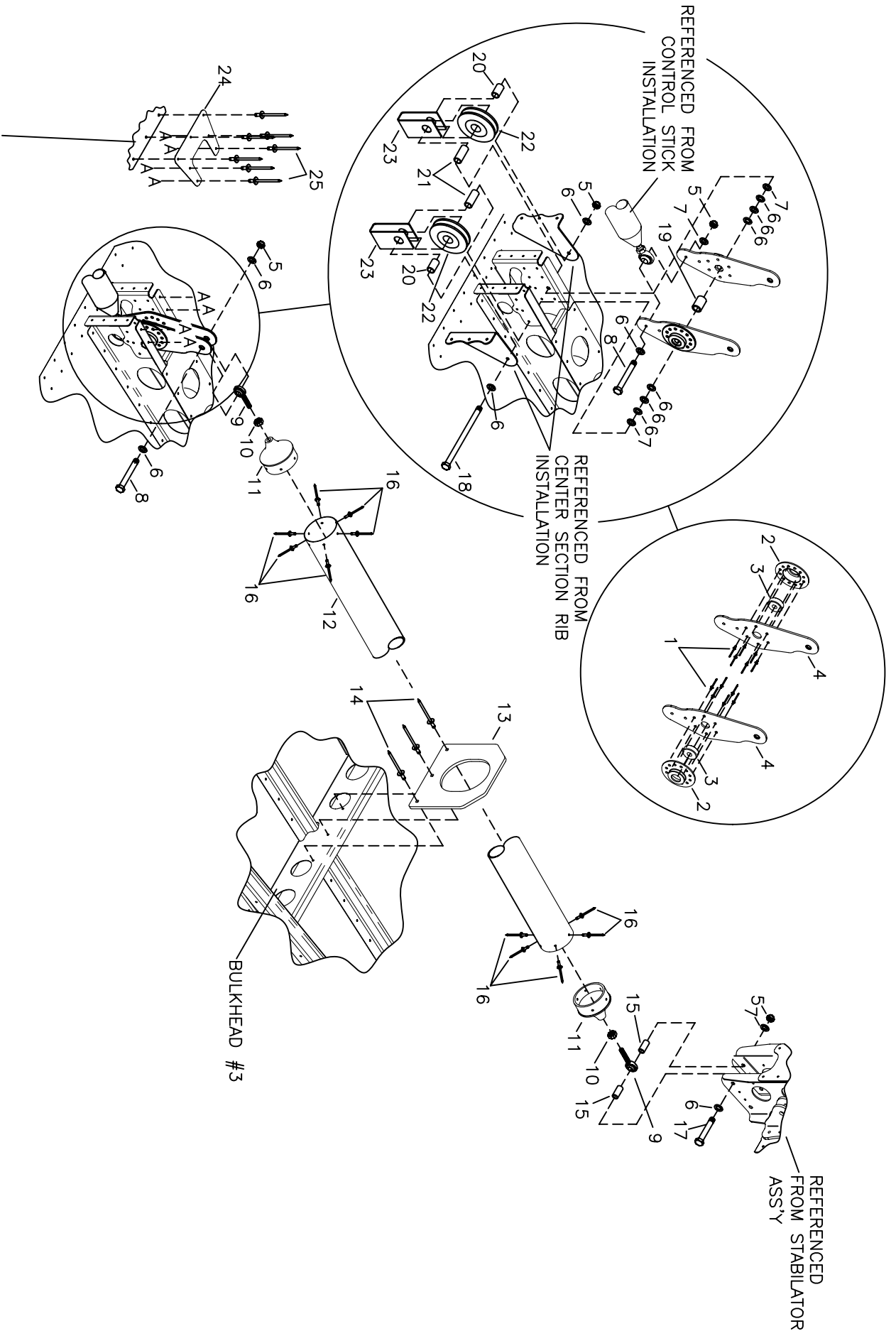
#	DESCRIPTION	PART NUMBER	QUANTITY
1.	3/16" Tensile Nut ***	AN365-1032A	0
2.	3/16" Thin Washer ***	AN960-10L	0
3.	Bushing ***	KPCS0238	0
4.	Angle Torque Tube Attach ***	KPCS0231	0
5.	Angle Torque Tube Attach ***	KPCS0232	0
6.	1/4" Thick Washer	AN960-416	11
7.	1/4" Tensile Nut	AN365-428A	2
8.	3/16" Bolt ***	AN3-23A	0
9.	1/4" Thin Washer	AN960-416L	6
10.	7/8" End Cap	CS-EC	1
11.	Control Stick Grip	CS-G	1
12.	Control Stick	KPCS0234	2
13.	Cotter Pin - Small	MS24665-134	6
14.	1/4" Castle Nut	AN310-4	6
15.	1/4" Bolt	AN4-20	2
16.	1/4" Bolt	AN4-15	2
17.	1/4" Plain Bolt	1/4 X 1 BOLT	4
18.	1/4" Plain Nut	AN345-416	10
19.	1/4" Bolt	AN4-7	1
20.	Male Rod End	NM-4	6
21.	1/8" Stainless Steel Rivet - Cherry Q	CCPQ-43	12
22.	FWD Push-Pull Tube - Stabilator	KPCS0236	1
23.	3/8 X .058 X 5/16 Bushing **	----	0
24.	1/4" Bolt	AN4-11A	2
25.	3/16" Large Washer *	AN970-3	2
26.	Control Stick Interconnect Push Rod	KPCS0246	1
27.	Control Stick Torque Tube	KPCS0233	1
28.	Rod End	KSHW0070	2
29.	5/16" Plain Nut	AN345-516	2
30.	Aileron Push-Pull Tube ****	KPCS0235	0
31.	Push-Pull Tube End Fitting ****	KPCS0016	0
32.	20 Gauge, White Wire *****	KSES0021	0 ft.
33.	Push-Pull Tube End Fitting	KPCS0016	2
34.	MAC Control Stick Grip	KSCS0016	1
35.	Trim Position Indicator *****	----	0
36.	5-Wire Bundle - 26 Gauge, White Wire	KSES0022	24 ft.
37.	3/16" Tensile Nut	AN365-1032A	1
38.	3/16" Thick Washer	AN960-10	3
39.	3/16" Eyebolt	AN42B-12A	1
40.	Stabilator Down Bungee	KPCS0259	1
41.	Attach Tang	ST-16-BENT	1
42.	Hose Clamp - 1 1/4"	5-5212	2
43.	Bearing	SR4APP	4

* Builder modifies ** Builder fabricates from raw stock.

*** Referenced from Fuselage Carry-Thru Assembly #2

**** Referenced from Aileron Inner Bellcrank Installation. ***** Reference MAC Servo Kit

***** Builder Supplies



REFERENCE BAGGAGE DECK INSTALLATION

RRRMD S-19 VENTERRA

AFT STABILATOR PUSH-PULL TUBE INSTALLATION

MD4964

#	DESCRIPTION	PART NUMBER	QUANTITY
1.	1/8" Stainless Steel Rivet - Cherry Q	CCPQ-42	12
2.	Bearing Flange	BR-FLNG	2
3.	Bearing	SR4APP	2
4.	Bellcrank - Stabilator	KPCS0237	2
5.	1/4" Shear Nut	AN364-428A	4
6.	1/4" Thick Washer	AN960-416	12
7.	1/4" Thin Washer	AN960-416L	4
8.	1/4" Bolt	AN4-10A	2
9.	Male Rod End	NM-4	2
10.	1/4" Plain Nut	AN345-416	2
11.	Push-Pull Tube End Fitting	KPCS0240	2
12.	AFT Push-Pull Tube - Stabilator	KPCS0241	1
13.	Push-Pull Tube Guide	KPCS0242	1
14.	1/8" Aluminum Rivet - Cherry Q	AAPQ-43	3
15.	3/8" x 0.058" x 1/4" Aluminum Bushing *	KAAC0044-3	0
16.	1/8" Stainless Steel Rivet - Cherry Q	CCPQ-43	12
17.	1/4" Bolt	AN4-16A	1
18.	1/4" Bolt	AN4-54A	1
19.	3/8" x 0.058" x 0.53" Aluminum Bushing *	KAAC0044-3	0
20.	3/8" x 0.058" x 3/8" Aluminum Bushing *	KAAC0044-3	0
21.	3/8" x 0.058" x 3/4" Aluminum Bushing *	KAAC0044-3	0
22.	Pulley	AN210-3A	2
23.	Cable Keeper **	KPCS0257	0
24.	Gusset - Bellcrank Attach	KPFU0474	1
25.	1/8" Aluminum Rivet - Avex	1691-0410	7

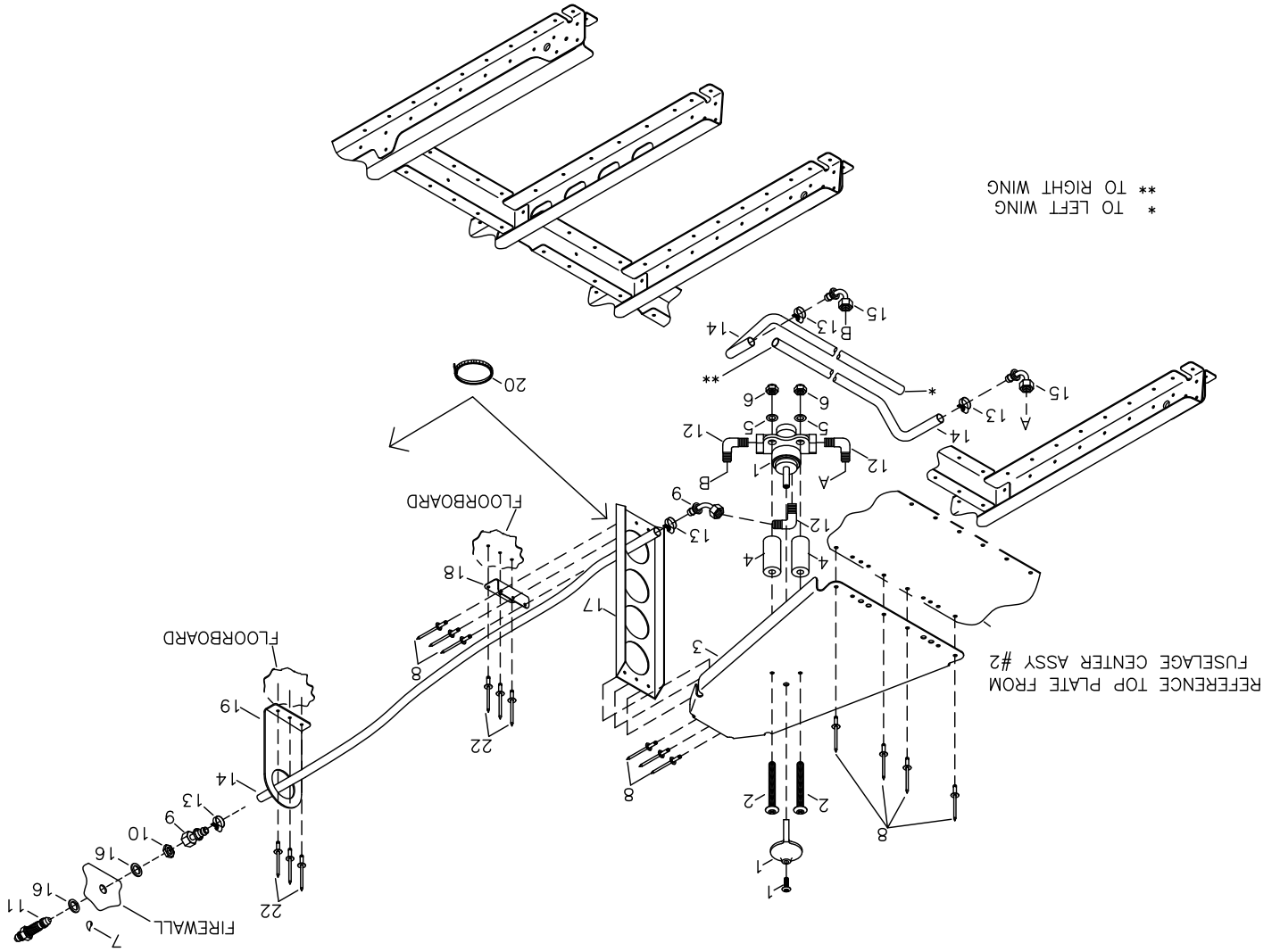
* Builder fabricates from raw stock.

** Reference from Rudder Pedal/Brake Installation

RAND S-19 VENTURA FUEL SHUT-OFF VALVE INSTALLATION

MDS036

SECURE FUEL LINE AS NEEDED WITH STAND-OFFS AND ANTI-CHAFF.

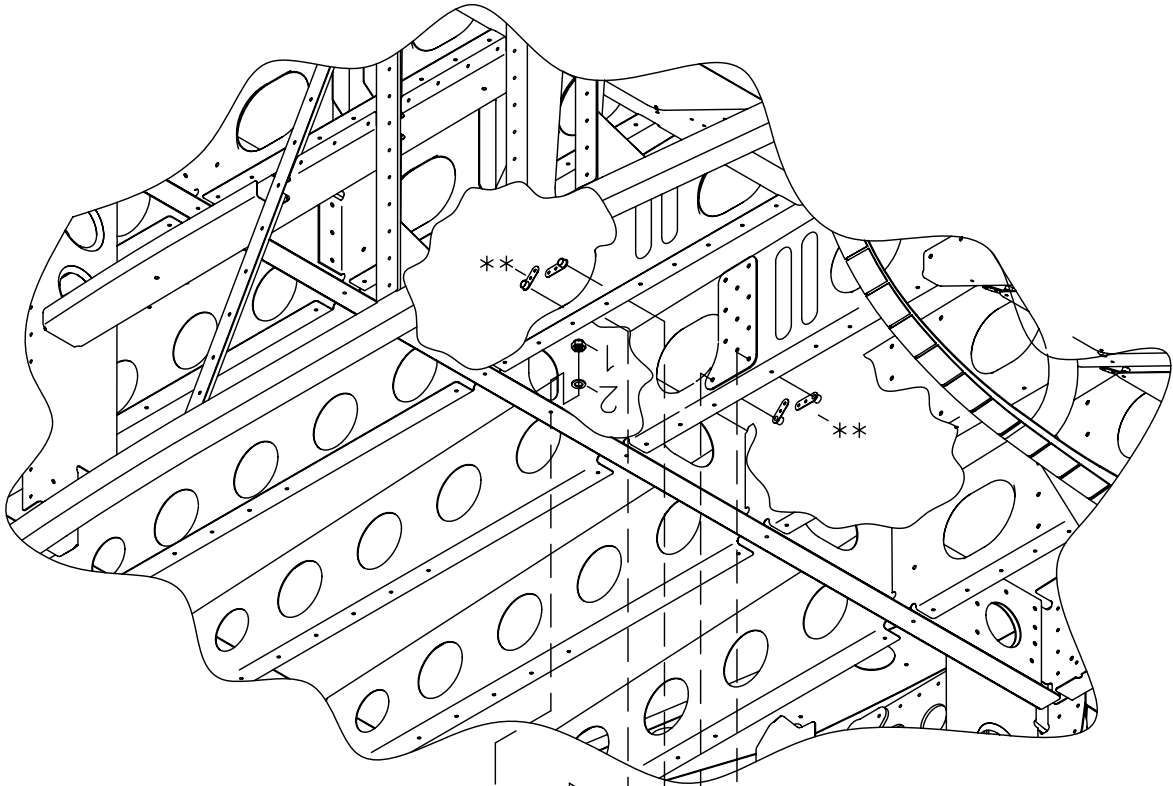


#	DESCRIPTION	PART NUMBER	QUANTITY
1.	Fuel Shut - Off Valve	KSFS0030	1
2.	Truss Head Machine Screw	KSHW0082	2
3.	Fuel Selector Sub-Panel	KPIP0098	1
4.	Spacer Bushing	KPAC0211	2
5.	3/16" Thin Washer	AN960-10L	2
6.	3/16" Shear Nut	AN364-1032A	2
7.	Loctite *	-----	0
8.	1/8" Stainless Steel Rivet - Cherry Q	CCPQ-42	4
9.	3/8" Hose Fitting	MS30682-6-6	1
10.	Nut - Flared Tube - Bulkhead	AN924-6D	1
11.	Union - Flared Tube - Bulkhead	AN832-6D	1
12.	90-Degree Fitting	AN822-6D	3
13.	Hose Clamp - 7/8"	5-6203	4
14.	3/8" Fuel Line	27004	17 ft.
15.	90-Degree Hose Fitting	MS33982-6-6	2
16.	9/16" Thick Washer	AN960-916	2
17.	Fuel Selector Panel Support	KPFU0649	1
18.	Support Attach	KPFU0650	1
19.	Fuel Hose Support Bracket	KPFU0651	1
20.	Serrated Grommet Strip	KSAC0023	8 in.
21.	45-Degree Fuel Fitting	MS33782-6-6	1
22.	1/8" Aluminum Rivet - Cherry Q	AAPQ-42	12

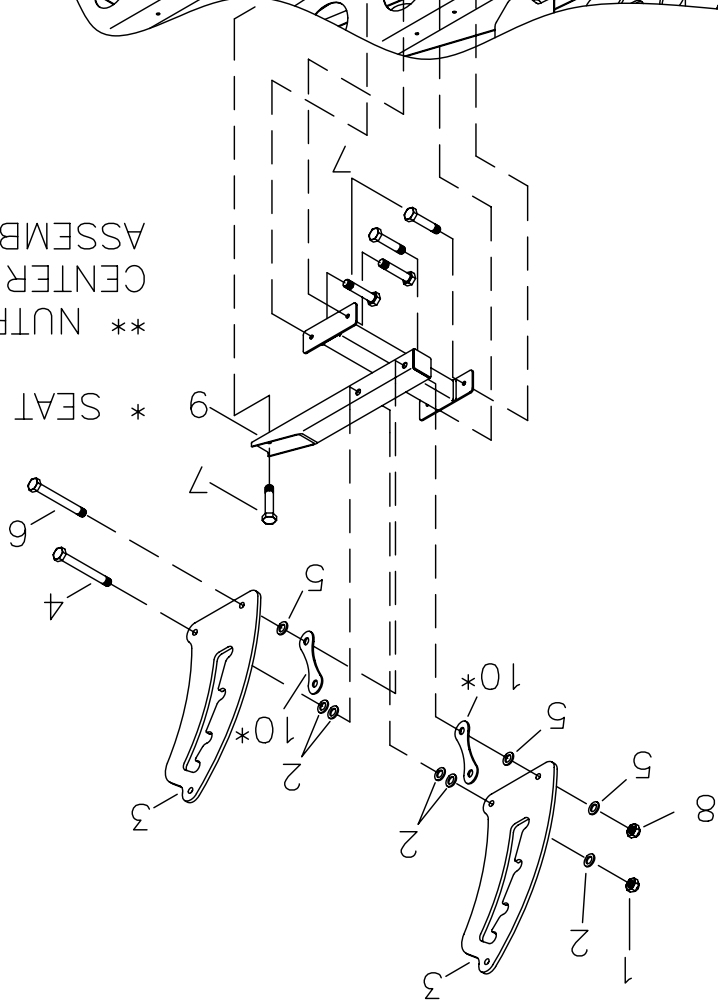
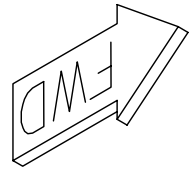
* Builder Supplied

RRMS S-19 VENTURA FLAP MECHANISM INSTALLATION

MD5068



* SEAT BELT ATTACH TANG
 ** NUTPLATES INSTALLED IN
 CENTER SECTION - RIB
 ASSEMBLY

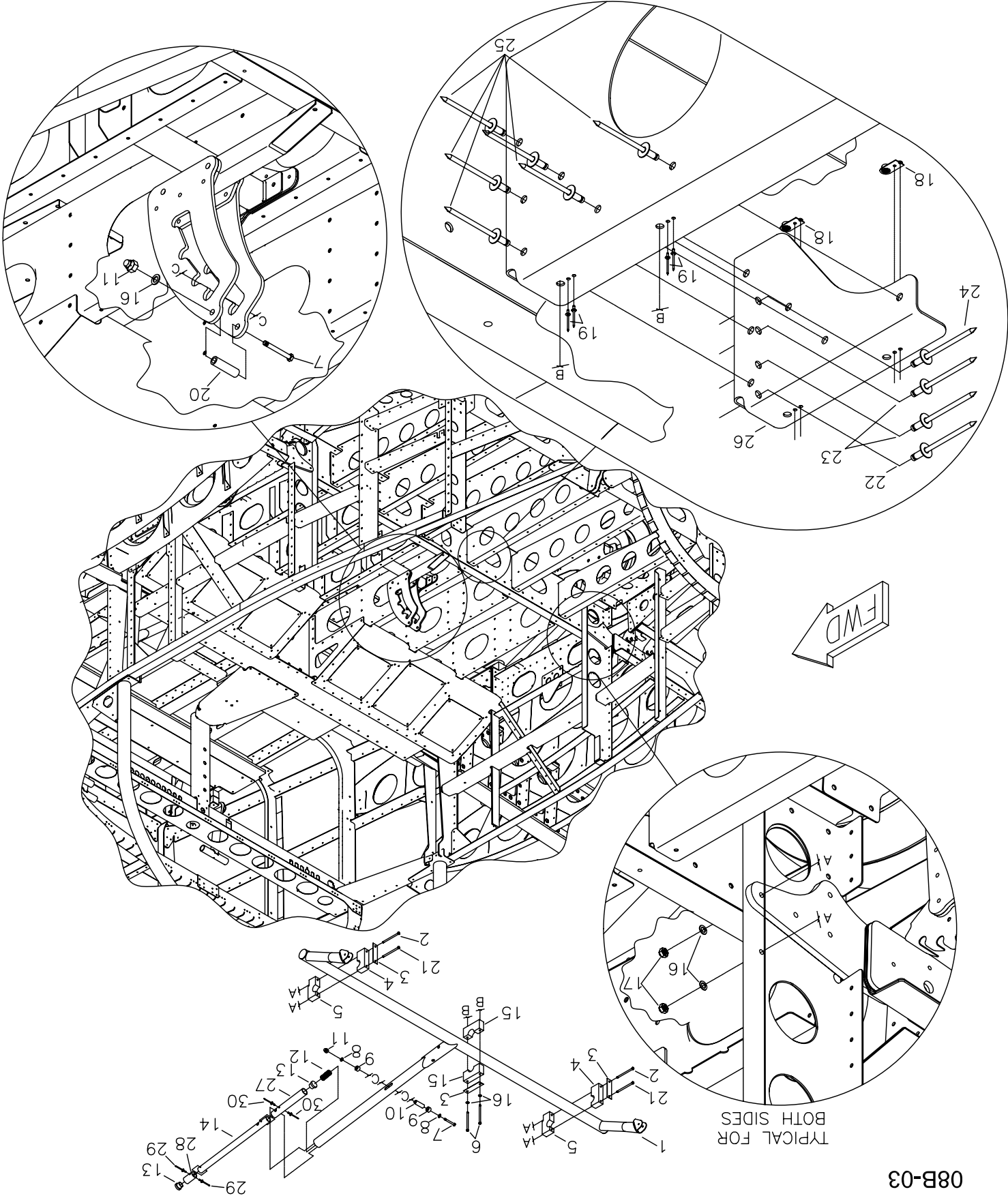


#	DESCRIPTION	PART NUMBER	QUANTITY
1.	3/16" Shear Nut	AN364-1032A	2
2.	3/16" Thick Washer	AN960-10	7
3.	Flap Guide Plate	KPFL0128	2
4.	3/16" Bolt	AN3-15A	2
5.	1/4" Thick Washer	AN960-416	3
6.	1/4" Bolt	AN4-16A	1
7.	3/16" Bolt	AN3-4A	5
8.	1/4" Shear Nut	AN364-428A	1
9.	Weldment - Flap Mechanism	KPFL0131	1
10.	Hummertang *	T12-HT6	2

* Builder modifies

RRMS S-19 VENTURA FLAP TORQUE TUBE INSTALLATION #1

MD5072



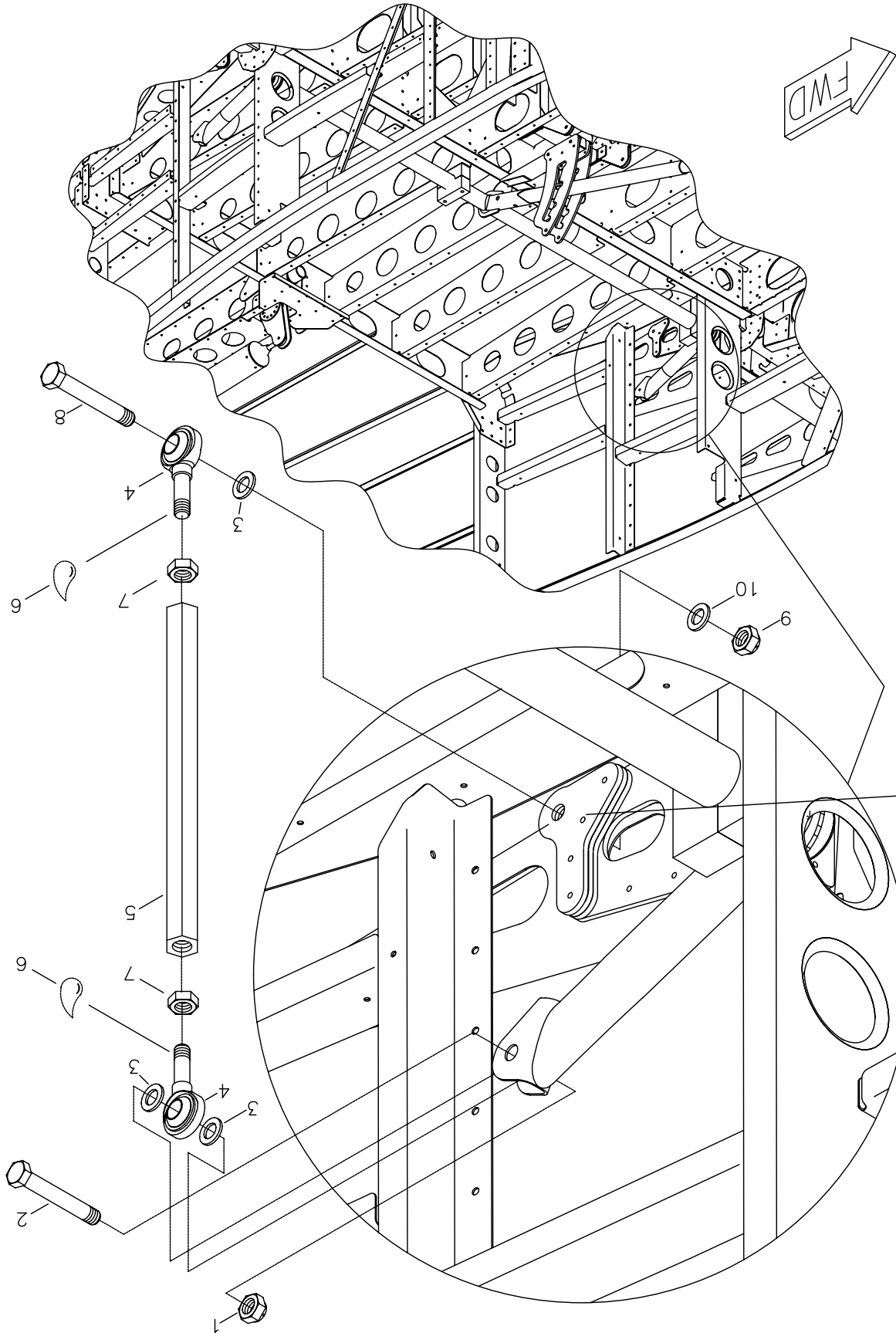
TYPICAL FOR BOTH SIDES

#	DESCRIPTION	PART NUMBER	QUANTITY
1.	Flap Torque Tube	KPFL0126	1
2.	3/16" Bolt	AN3-27A	2
3.	Plate - Bearing Block *	KPFL0139	1
4.	Bearing Block - Flap	KPFL0136	2
5.	Bearing Block - Flap	KPFL0135	2
6.	3/16" Bolt	AN3-23A	2
7.	3/16" Bolt	AN3-15A	1
8.	3/16" Thin Washer	AN960-10L	2
9.	Roller Bushing	KPCS0171	2
10.	Spacer Bushing	KPCS0172	1
11.	3/16" Shear Acorn Nut	22NKM02	2
12.	Spring	C-21	1
13.	3/4" Endcap	3/4 ENDCAP	2
14.	Flap Release Tube	KPFL0130	1
15.	Bearing Block - Flap	KPFL0137	2
16.	3/16" Thick Washer	AN960-10	7
17.	3/16" Tensile Nut	AN365-1032A	4
18.	3/16" Single-Ear Floating Nut Plate	KSHW0086	2
19.	3/32" Aluminum Rivet	40APR1/4	4
20.	Spacer Bushing	KPCS0169	1
21.	3/16" Bolt	AN3-26A	2
22.	1/8" Stainless Steel Rivet - Cherry Q	CCPQ-44	1
23.	1/8" Aluminum Rivet - Cherry Q	AAPQ-43	2
24.	1/8" Aluminum Rivet - Cherry Q	AAPQ-42	1
25.	1/8" Aluminum Rivet - Cherry Q	AAPQ-41	6
26.	Gusset - Bearing Block Attach	KPFL0138	1
27.	Flap Release Tube	KPFL0144	1
28.	Flap Release Tube	KPFL0145	1
29.	1/8" Stainless Steel Rivet - Flush	CCC-42	2
30.	3/32" Aluminum Rivet	40APR1/8	2

* Builder modifies

RRMS S-19 VENTRA FLAP TORQUE TUBE INSTALLATION #2

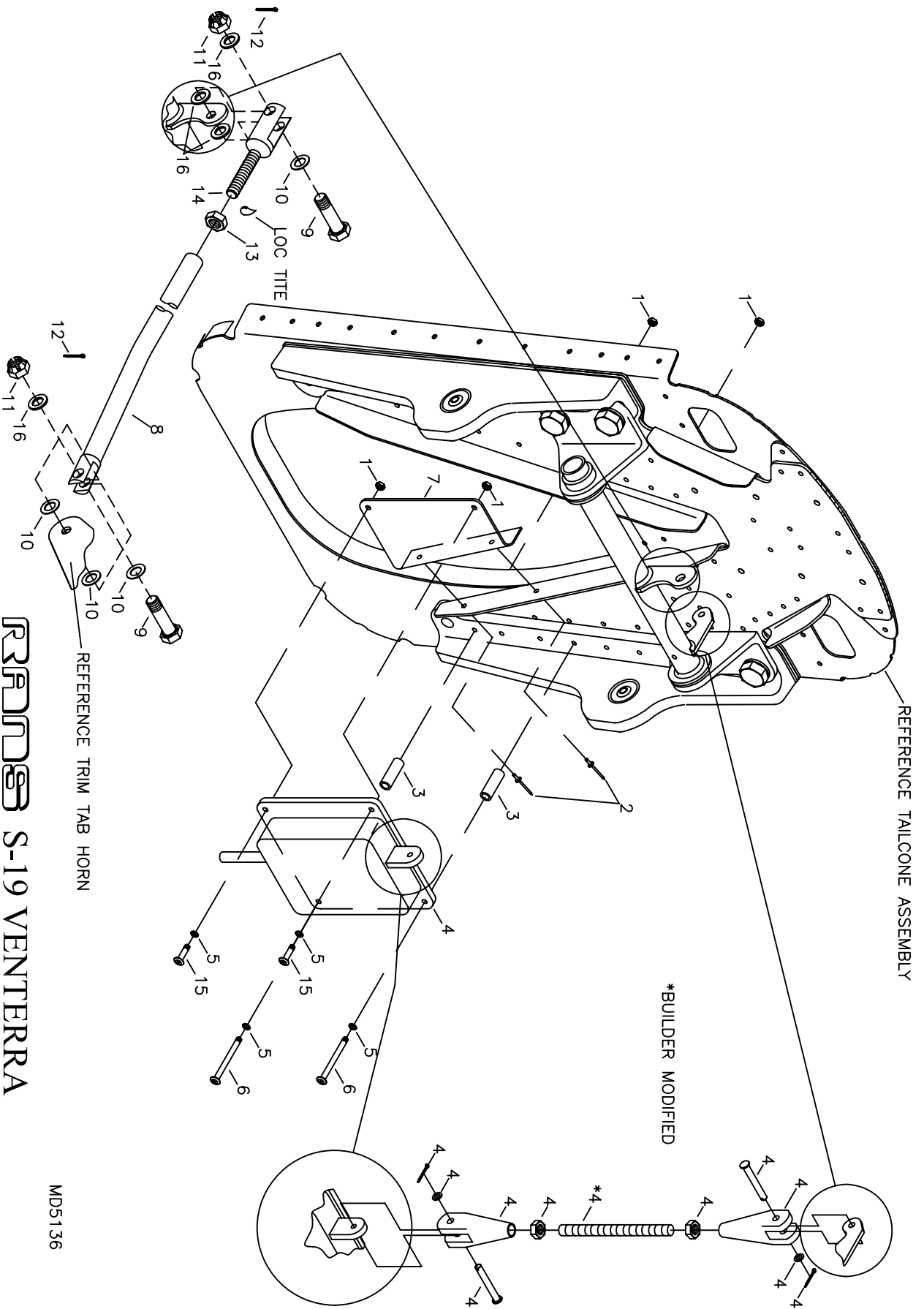
MD5072



REFERENCE
FLAP
SIDE SKIN
NOT SHOWN
FOR
CLARITY

#	DESCRIPTION	PART NUMBER	QUANTITY
1.	1/4" Shear Nut	AN364-428A	2
2.	1/4" Bolt	AN4-10A	2
3.	1/4" Thick Washer	AN960-416	6
4.	Male Rod End	NM-4	4
5.	Flap Push Rod	KPFL0134	2
6.	Loctite *	-----	0
7.	1/4" Plain Nut	AN345-416	4
8.	1/4" Bolt	AN4-12A	2
9.	1/4" Tensile Nut	AN365-428A	2
10.	1/4" Thin Washer	AN960-416L	2

* Builder Supplied

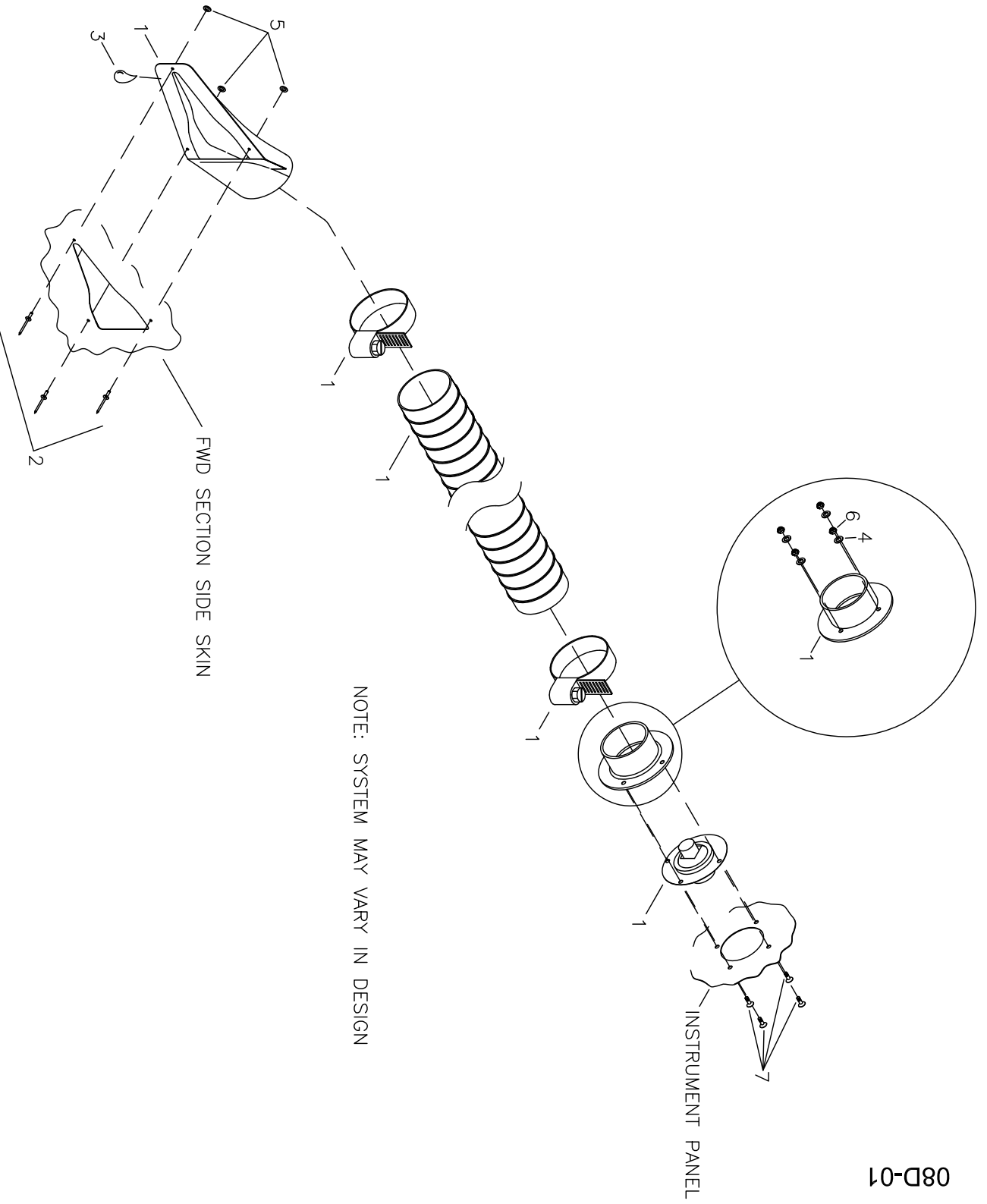


RR-19 VENTERRA
TRIM SERVO INSTALLATION

MD5136

#	DESCRIPTION	PART NUMBER	QUANTITY
1.	4-40 Shear Nut	AN364-440A	4
2.	1/8" Stainless Steel Rivet - Cherry Q	CCPQ-42	2
3.	1/4" x .028 x 3/8" Bushing *	KAAC0044-2	0
4.	Mac Servo Kit	KSTR0001	1
5.	#4 Lock Washer	AN935-B4	4
6.	#4 Pan Head Machine Screw	MS35206-222	2
7.	Trim Servo Mount	KPTR0050	1
8.	Trim Tab Push-Pull Tube - AFT	KPTR0062	1
9.	3/16" Bolt	AN3-7	2
10.	3/16" Thin Washer	AN960-10L	4
11.	3/16" Castle Nut	AN310-3	2
12.	Cotter Pin - Small	MS24665-134	2
13.	3/16" Plain Nut	AN345-10	1
14.	Trim Tab Push-Pull Tube - FWD	KPTR0061	1
15.	#4 Pan Head Machine Screw	MS35206-218	2
16.	3/16" Thick Washer	AN960-10	4

* Builder fabricates from raw stock.



NOTE: SYSTEM MAY VARY IN DESIGN

RRR0008 S-19 VENTERRA
OPTIONAL VENT SYSTEM INSTALLATION

RANS S-19 VENTERRA - Optional Vent System Installation

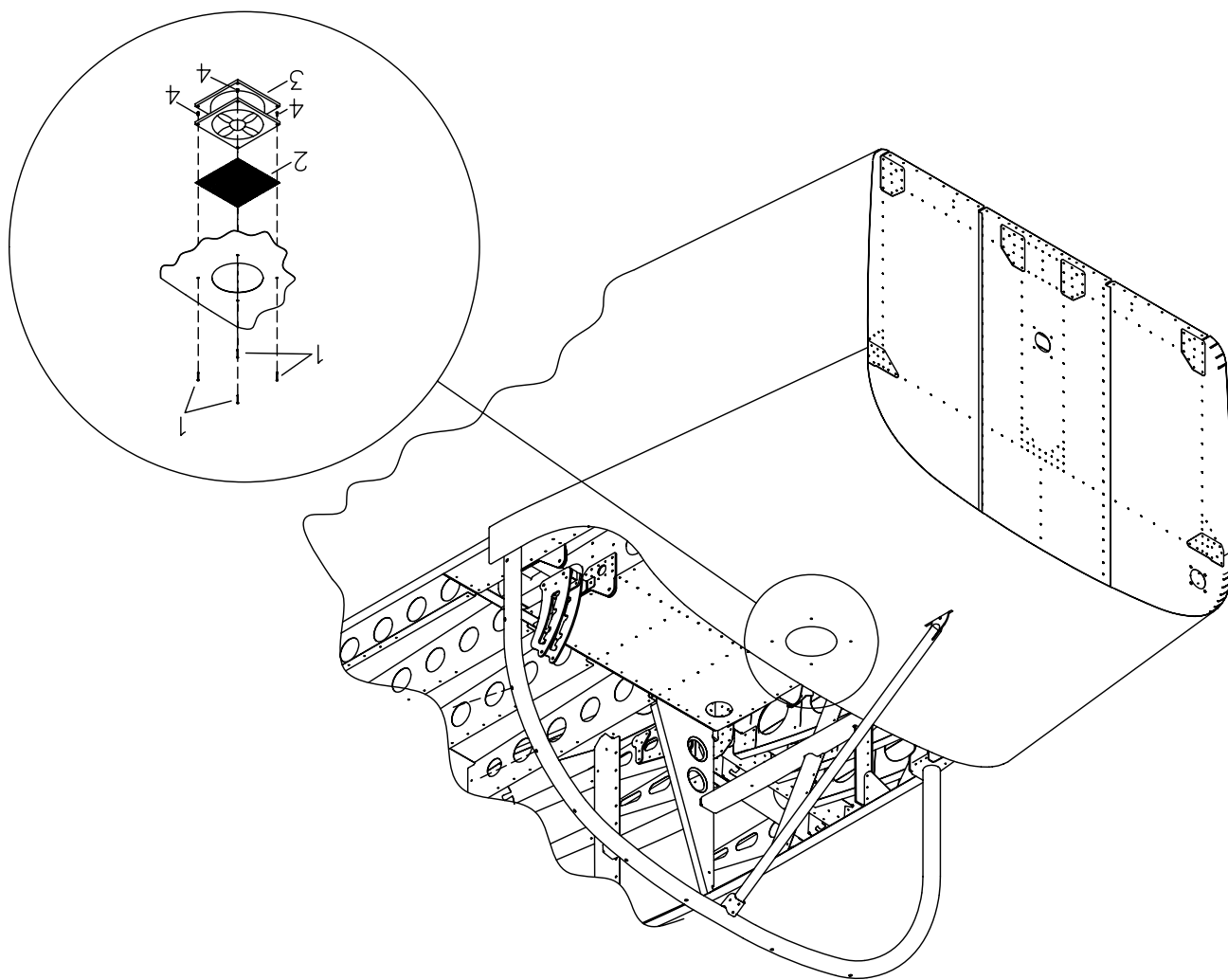
KAFU0053

#	DESCRIPTION	PART NUMBER	QUANTITY
1.	Air Vent Kit - Dual	KSFU0003	1
2.	1/8" Aluminum Rivet - Avex	1691-0410	6
3.	Silicone Seal *	-----	0
4.	#8 Brass Washer	AN960-B8	8
5.	1/8" Small Brass Washer	AN960-B4	6
6.	8-32 Shear Nut	AN364-832A	8
7.	#8 Pan Head Machine Screw	MS27039-0809	8

* Builder Supplied

RPM S-19 VENTRA OPTIONAL AVIONICS HEAT EXHAUST FAN INSTALLATION

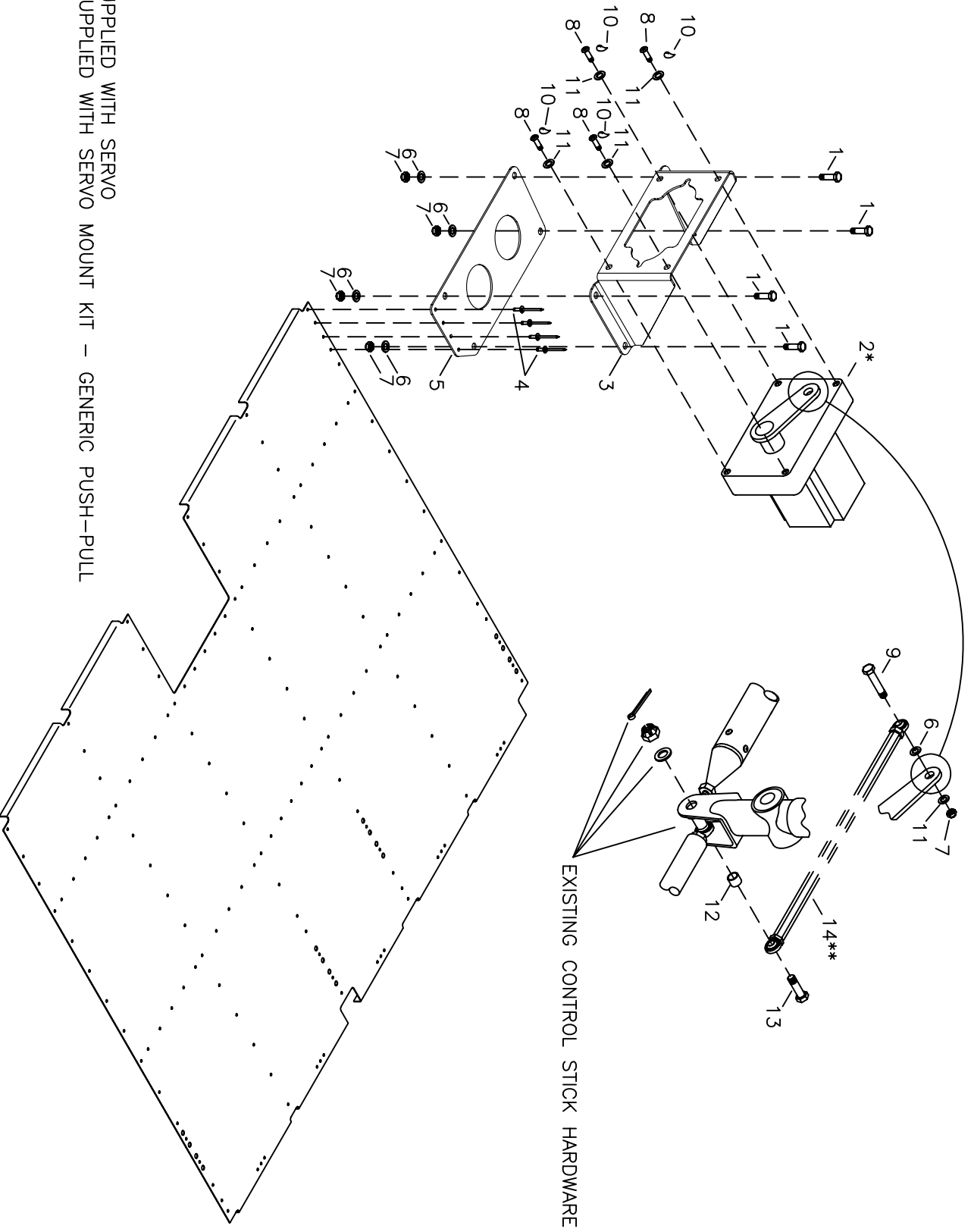
MD5486



RANS S-19 VENTERRA - Optional Avionics Heat Exhaust Fan Installation

KAAV0002

#	DESCRIPTION	PART NUMBER	QUANTITY
1.	6-32 Pan Head Screw	MS35214-31	4
2.	Exhaust Screen - Avionics (-1 w/ Opt Interior)	KPIN0078	1
3.	Exhaust Fan - Avionics	KSAV0022	1
4.	Brass Flange Nut	KSHW0025	4



* SUPPLIED WITH SERVO
 ** SUPPLIED WITH SERVO MOUNT KIT - GENERIC PUSH-PULL

RFD100 S-19 VENTERRA
OPTIONAL ROLL SERVO INSTALLATION

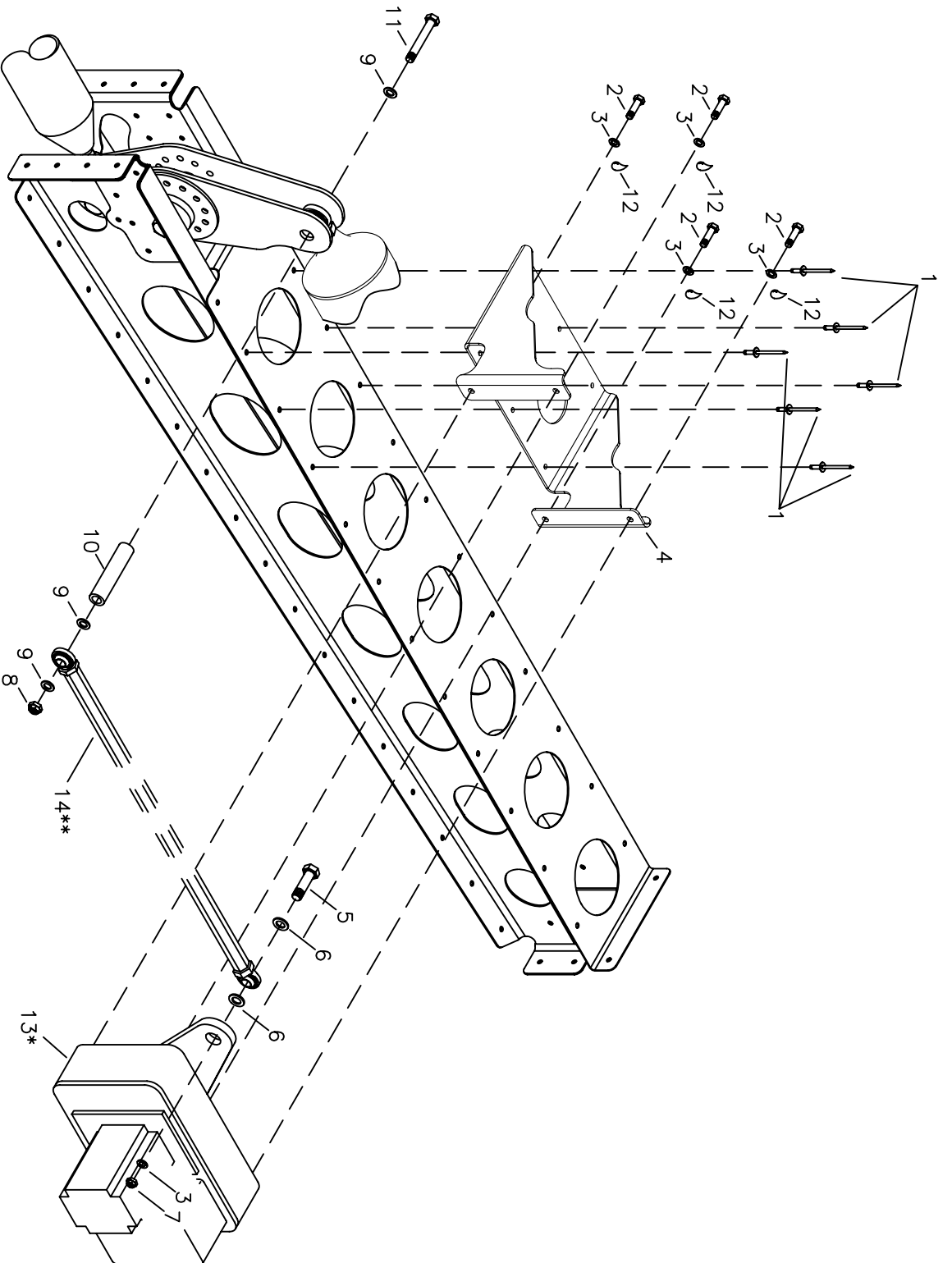
MD5512

RANS S-19 VENTERRA - Optional Roll Servo Installation

Part of KAAC0108

#	DESCRIPTION	PART NUMBER	QUANTITY
1.	3/16" Bolt	AN3-4A	4
2.	Servo - Long Arm type	----	0
3.	Roll Servo Mount Bracket	KPFU0665	1
4.	1/8" Aluminum Rivet - Avex	1691-0410	4
5.	Mount Bracket	KPFU0666	1
6.	3/16" Thick Washer	AN960-10	5
7.	3/16" Shear Nut	AN364-1032A	5
8.	3/16" Trusshead Screw	AN526-C1032-R12	4
9.	3/16" Bolt	AN3-7A	1
10.	Loctite	----	0
11.	3/16" Thin Washer	AN960-10L	5
12.	3/8" x 0.058" x 3/16" Aluminum Bushing *	KPAC0234	1
13.	1/4" Bolt	AN4-22	1
14.	Servo Mount Kit - Generic Push-Pull	----	0

* Builder fabricates from raw stock.



* SUPPLIED WITH SERVO
 ** SUPPLIED WITH SERVO MOUNT KIT – GENERIC PUSH-PULL

R3A1088 S-19 VENTERRA
 OPTIONAL PITCH SERVO INSTALLATION

MD5511

RANS S-19 VENTERRA - Optional Pitch Servo Installation

Part of KAAC0108

#	DESCRIPTION	PART NUMBER	QUANTITY
1.	1/8" Aluminum Rivet - Avex	1691-0410	6
2.	3/16" Trusshead Screw	AN526-C1032-R12	4
3.	3/16" Thin Washer	AN960-10L	5
4.	Pitch Servo Mount Bracket	KPFU0667	1
5.	3/16" Bolt	AN3-6A	1
6.	3/16" Thick Washer	AN960-10	2
7.	3/16" Shear Nut	AN364-1032A	1
8.	1/4" Shear Nut	AN364-428A	1
9.	1/4" Thick Washer	AN960-416	3
10.	3/8" x 0.058" x 0.80" Aluminum Bushing *	KPAC0234	0
11.	1/4" Bolt	AN4-22A	1
12.	Loctite	----	0
13.	Servo - Long Arm type	----	0
14.	Servo Mount Kit - Generic Push-Pull	----	0

* Builder fabricates from raw stock. Refer to Roll Servo Installation for material.

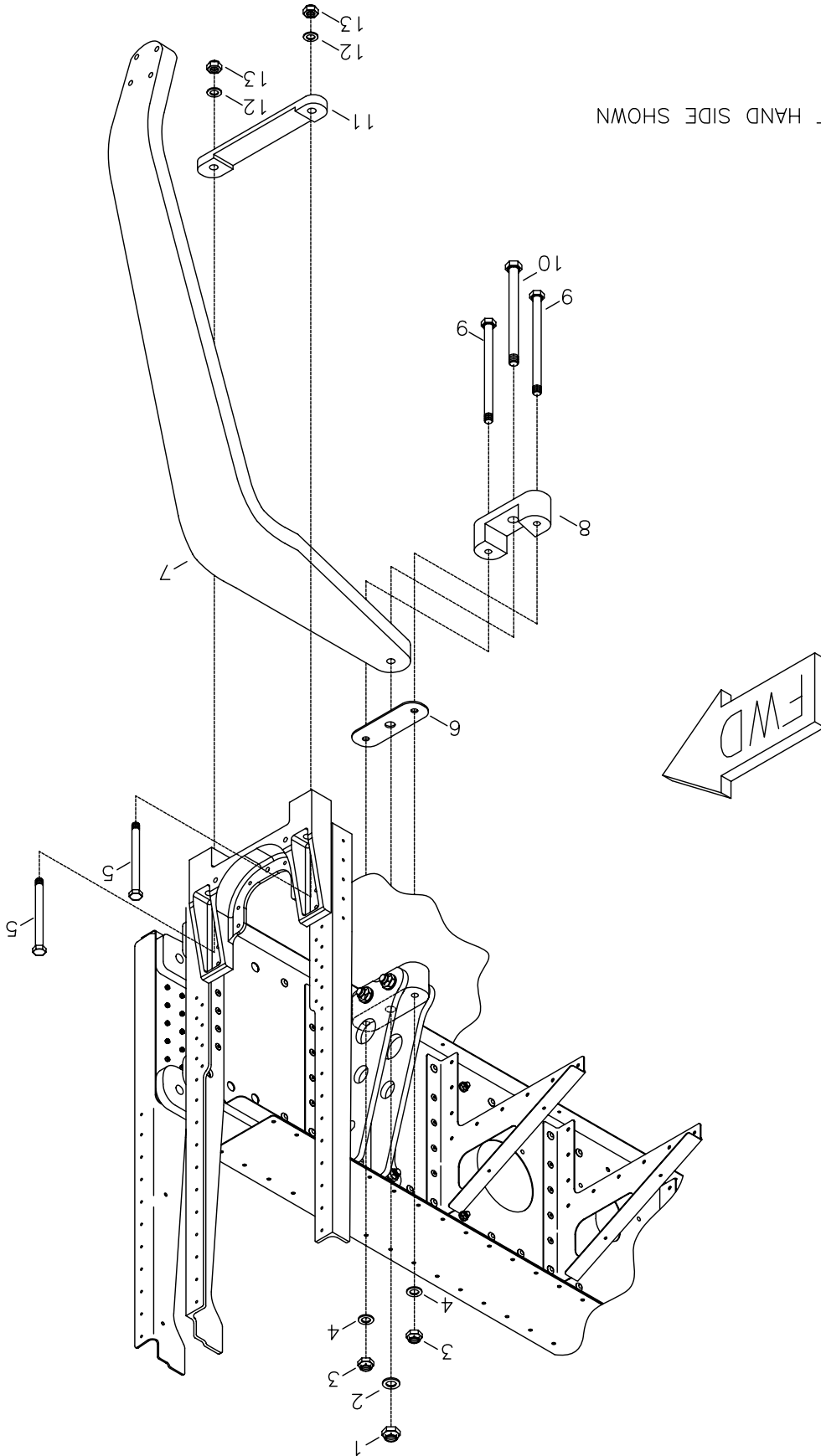
09 – MAIN & NOSE GEAR

MAIN GEAR INSTALLATION	09-01 - 09-02
MAIN GEAR WHEEL /BRAKE INSTALLATION	09A-01 - 09A-02
NOSE GEAR INSTALLATION	09B-01 - 09B-02
OPTIONAL MAIN WHEEL PANT INSTALLATION	09C-01 - 09C-02
OPTIONAL NOSE WHEEL PANT INSTALLATION.....	09D-01 - 09D-02
OPTIONAL BELLY FAIRING INSTALLATION.....	09E-01 - 09E-02
OPTIONAL TOW BAR WITHOUT WHEEL PANT INSTALLATION	09F-01 - 09F-02

RANDS S-19 VENTURA MAIN GEAR INSTALLATION

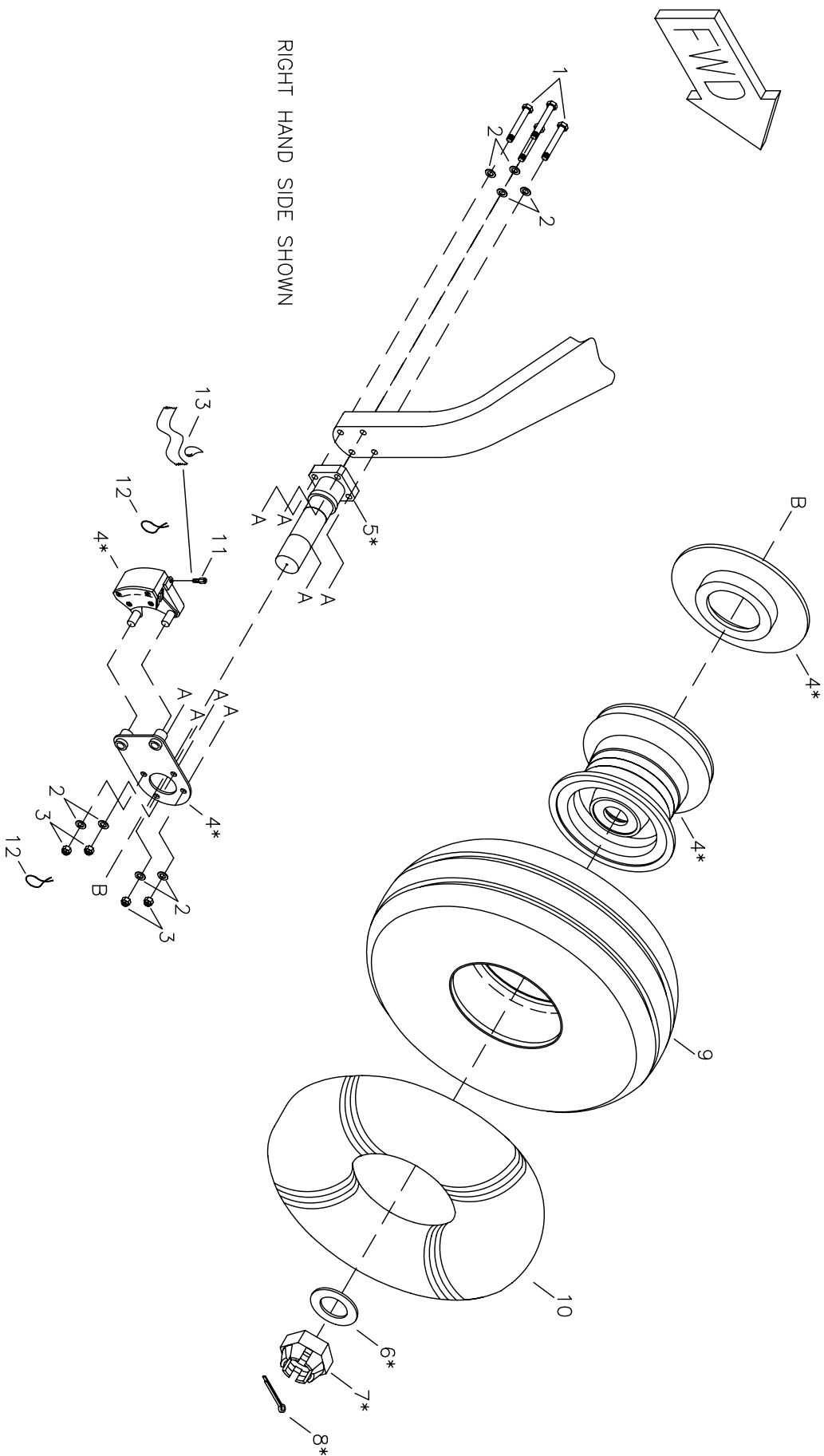
MD5070

RIGHT HAND SIDE SHOWN



#	DESCRIPTION	PART NUMBER	QUANTITY
1.	3/8" Tensile Nut	AN365-624A	2
2.	3/8" Thick Washer	AN960-616	2
3.	1/4" Tensile Nut	AN365-428A	4
4.	1/4" Thick Washer	AN960-416	4
5.	5/16" Bolt	AN5-23A	4
6.	Shim - Gear Attach	KPMG0178	2
7.	Landing Gear - RH	KPMG0181-R	1
7.	Landing Gear - LH	KPMG0181-L	1
8.	Clamp - Gear Attach - RH	KPMG0186-R	1
8.	Clamp - Gear Attach - LH	KPMG0186-L	1
9.	1/4" Bolt	AN4-30A	4
10.	3/8" Bolt	AN6-31A	2
11.	Bar - Gear Attach	KPMG0187	2
12.	5/16" Thick Washer	AN960-516	4
13.	5/16" Tensile Nut	AN365-524A	4

*INSTALL PER MANUFACTURES INSTRUCTIONS



VENTERRA S-19 VENTERRA MAIN GEAR WHEEL / BRAKE INSTALLATION

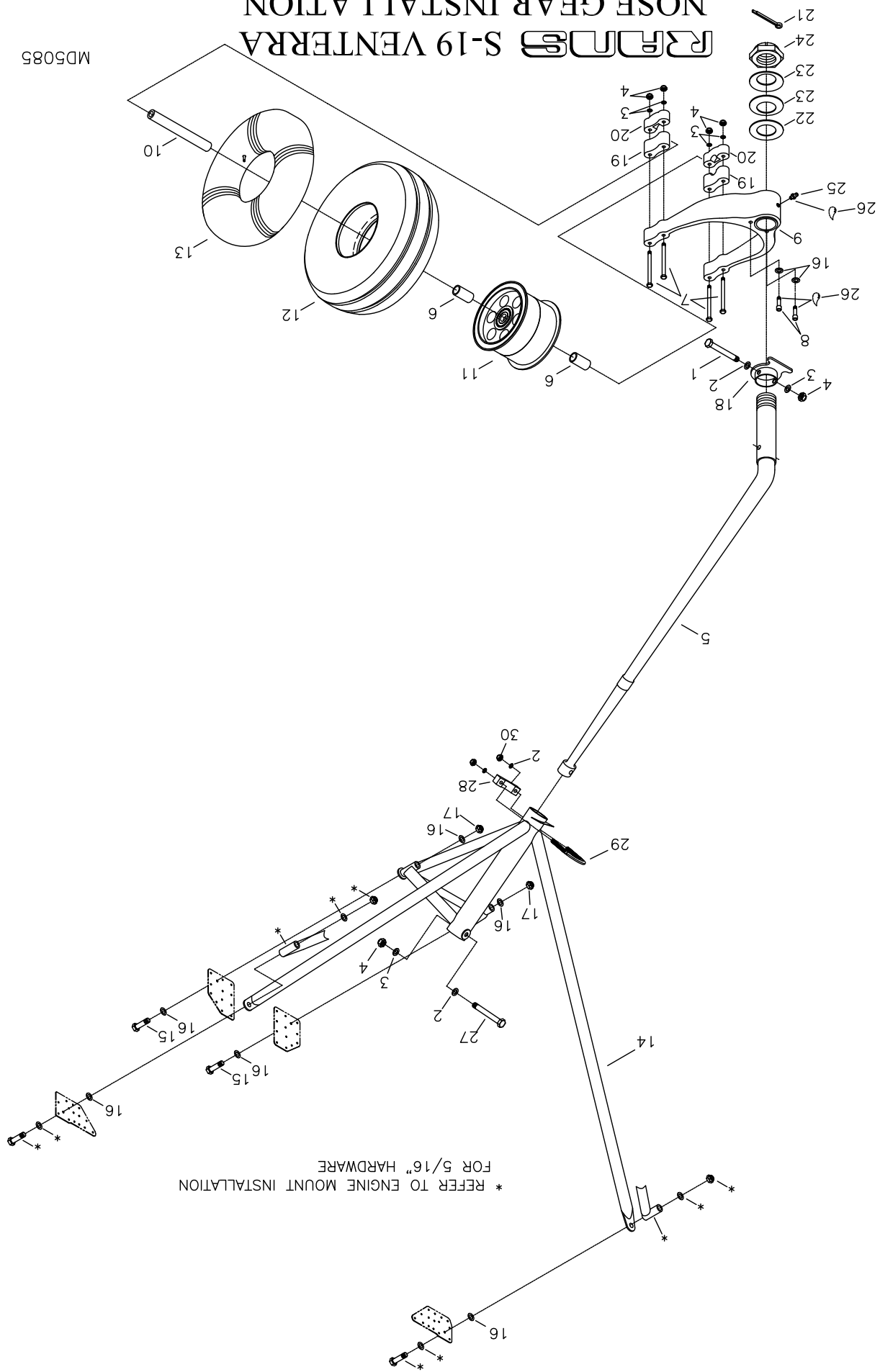
#	DESCRIPTION	PART NUMBER	QUANTITY
1.	1/4" Bolt	AN4-20A	8
2.	1/4" Thick Washer	AN960-416	16
3.	1/4" Tensile Nut	AN365-428A	8
4.	5" Wheel / Hydraulic Brake Assembly	KSMG0021	2
5.	Axle *	-----	0
6.	Washer *	-----	0
7.	Castle Nut *	-----	0
8.	Cotter Pin *	-----	0
9.	Tire - 5"	KSMG0005	2
10.	Tire Tube - 5"	KSMG0014	2
11.	Straight Fitting	KSBS0018	2
12.	Safety Wire **	-----	0
13.	Thread Sealant **	-----	0

* Supplied with 5" Wheel / Hydraulic Brake Assembly

** Builder Supplied

RPM S-19 VENTURA NOSE GEAR INSTALLATION

MD5085



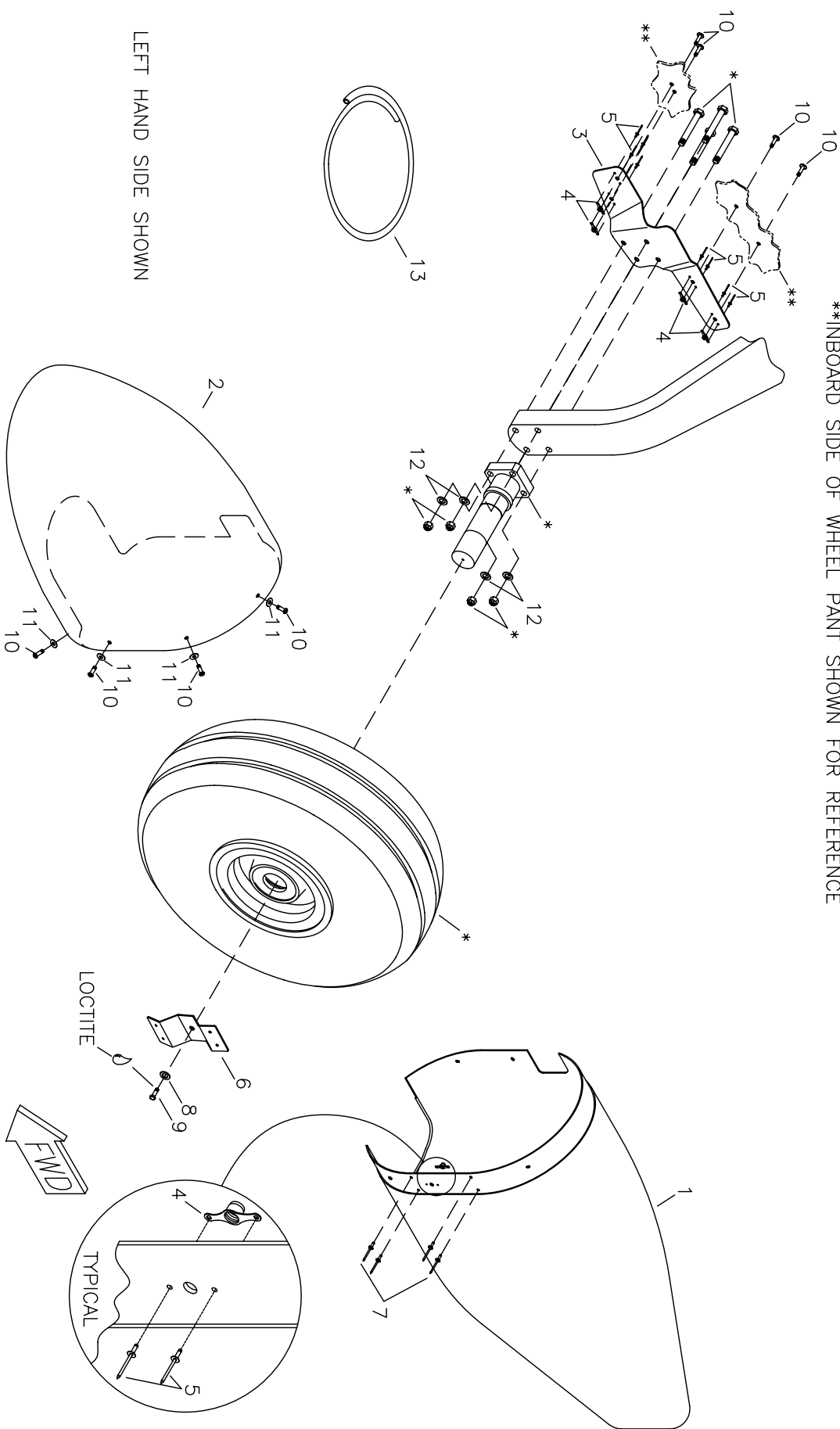
* REFER TO ENGINE MOUNT INSTALLATION
FOR 5/16" HARDWARE

#	DESCRIPTION	PART NUMBER	QUANTITY
1.	1/4" Bolt - Close Tolerance	NAS6604-23	1
2.	1/4" Thin Washer	AN960-416L	4
3.	1/4" Thick Washer	AN960-416	6
4.	1/4" Tensile Nut	AN365-428A	6
5.	Nose Gear	KPNG0090	1
6.	Nose Gear Spacer Bushing **	KPNG0091	1
7.	1/4" Bolt	AN4-32A	4
8.	5/16" Sockethead Capscrews	KSHW0083	2
9.	Nose Gear Fork Assembly	KANG0020	1
10.	Axle - Nose Wheel	KPNG0083	1
11.	Nose Wheel	KSNG0006	1
12.	Tire - 5"	KSMG0005	1
13.	Tire Tube - 5"	KSMG0014	1
14.	Nose Gear Mount	KPPW0275	1
15.	5/16" Bolt	AN5-21A	2
16.	5/16" Thick Washer	AN960-516	8
17.	5/16" Steel Tensile Nut	AN365-524C	2
18.	Nose Gear Collar	KPNG0087	1
19.	Nose Gear Axle Attach - Upper	KPNG0088	2
20.	Nose Gear Axle Attach - Lower	KPNG0089	2
21.	Cotter Pin - Large	MS24665-360	1
22.	1 1/4" Washer	AN960-2016	1
23.	Spring Washer	KSHW0084	2
24.	1 1/4" Castle Nut	MS21025-20	1
25.	Grease Fitting	11-151	1
26.	Loctite *	-----	0
27.	1/4" Bolt - Close Tolerance	NAS6604-25	1
28.	Nose Gear Clamp Block	KPNG0104	1
29.	1/4" U-bolt	KSHW0107	1
30.	1/4" Course Thread Nut	KSHW0108	2

* Builder Supplied

** Builder modifies

*REFER TO MAIN GEAR WHEEL / BRAKE INSTALLATION
**INBOARD SIDE OF WHEEL PANT SHOWN FOR REFERENCE



RR-108 S-19 VENTERRA
OPTIONAL MAIN WHEEL PANT INSTALLATION

MD5071

RANS S-19 VENTERRA - Optional Main Wheel Pant Installation

Part of KAAC0107

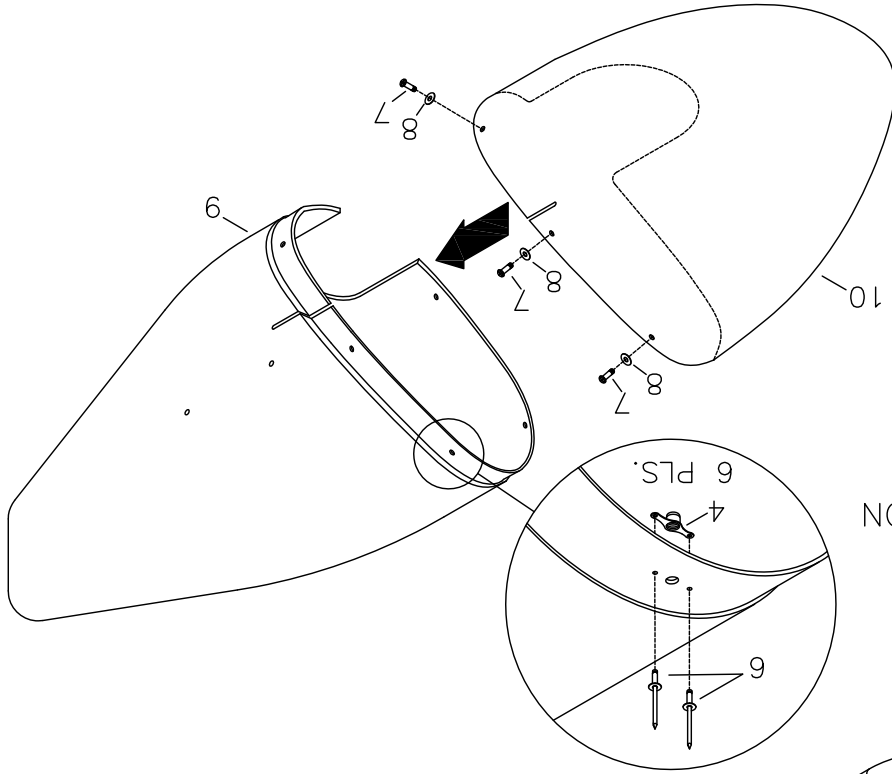
#	DESCRIPTION	PART NUMBER	QUANTITY
1.	Main Wheel Pant - AFT	KPMG0174	2
2.	Main Wheel Pant - FWD	KPMG0173	2
3.	Inboard Wheel Pant Bracket - RH	KPMG0191-R	1
3.	Inboard Wheel Pant Bracket - LH	KPMG0191-L	1
4.	3/16" Nut Plate	K-1000-3	20
5.	3/32" Aluminum Rivet	40APR1/8	40
6.	Wheel Pant Axle Bracket	KPMG0204	2
7.	1/8" Aluminum Rivet - Flush	AACQ-42	8
8.	1/4" Lock Washer	AN935-416L	2
9.	1/4" Bolt	AN4-3A	2
10.	3/16" Countersunk Machine Screw	MS24694-S50	20
11.	3/16" Countersunk Washer	NAS1169-10L	20
12.	1/4" Thin Washer	AN960-416L	8
13.	Firesleeve *	-----	0

* Builder Supplied

OPTIONAL NOSE WHEEL PANT INSTALLATION

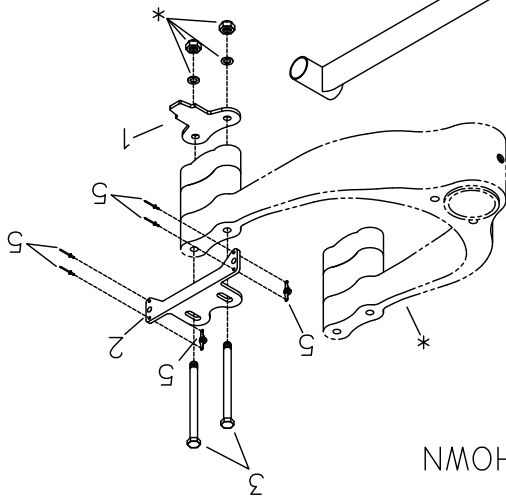
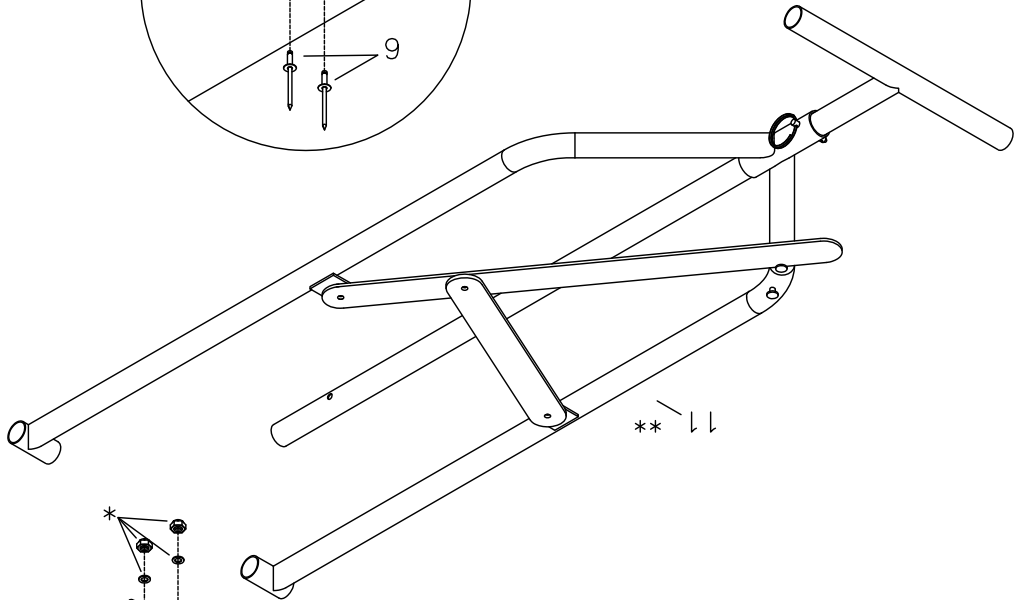
RRRDS S-19 VENTERA

MD5480
REV. B



* REFERENCED FROM
NOSE GEAR INSTALLATION

** TOW BAR SHOWN IN
COLLAPSED STORAGE
CONFIGURATION



ONLY LEFT HAND SIDE SHOWN
FOR CLARITY

RANS S-19 VENTERRA - Optional Nose Wheel Pant Installation

Part of KAAC0107

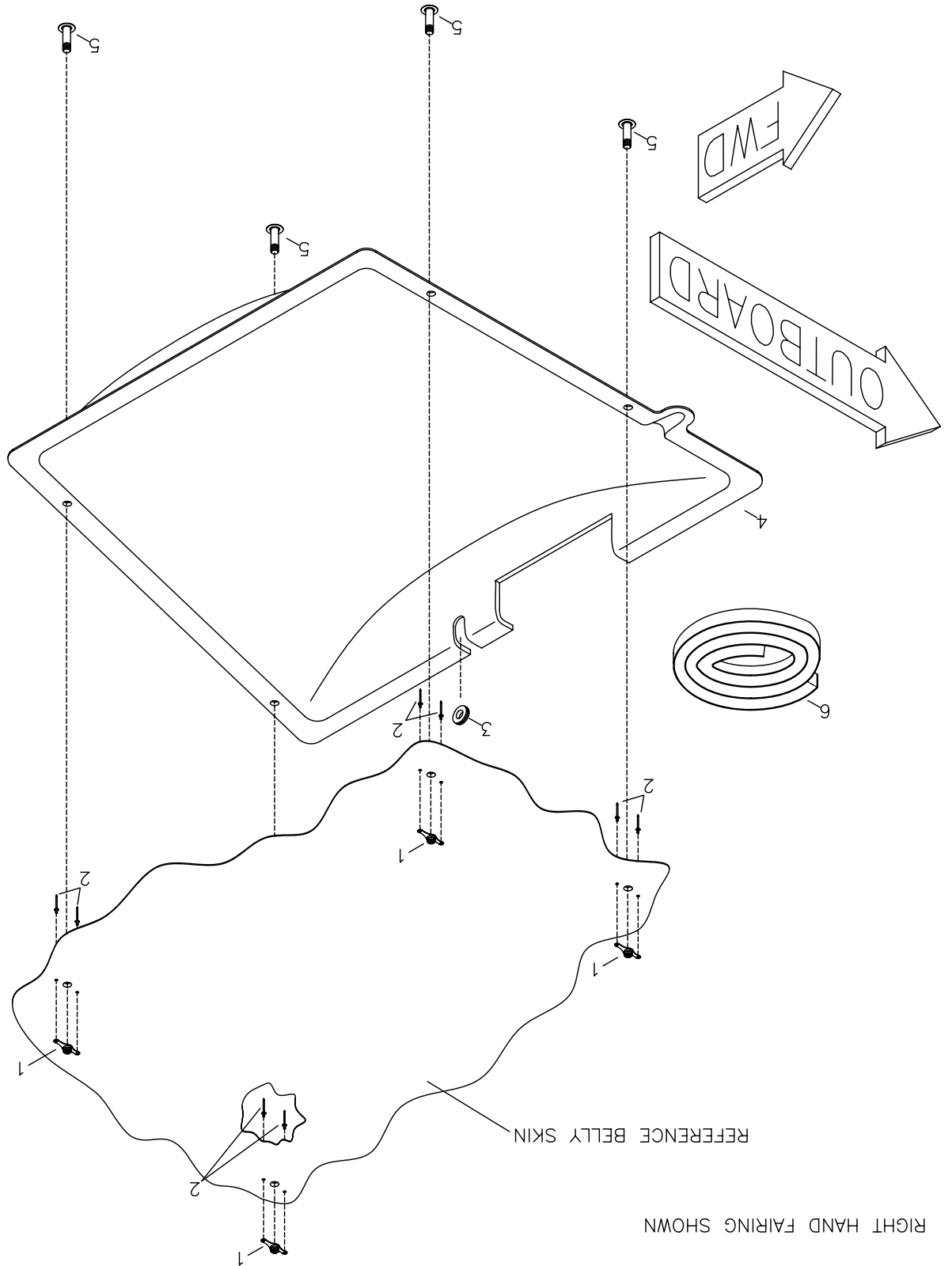
#	DESCRIPTION	PART NUMBER	QUANTITY
1.	Nose Gear Tow Plate **	KPNG0101	1
2.	Wheel Pant Attach Angle	KPNG0092	2
3.	1/4" Bolt	AN4-34A	4
4.	3/16" Nut Plate	K-1000-3	10
5.	3/32" Aluminum Rivet	40APR1/4	8
6.	3/32" Aluminum Rivet	40APR1/8	12
7.	3/16" Countersunk Machine Screw	MS24694-S50	10
8.	3/16" Countersunk Washer	NAS1169-10L	10
9.	Nose Wheel Pant - AFT	KPNG0095-1	1
10.	Nose Wheel Pant - FWD	KPNG0095-2	1
11.	Tow Bar *	KPAC0233	0

* Tow Bar available separately

** Builder modifies

RRMS S-19 VENTERA OPTIONAL BELLY FAIRING INSTALLATION

MD5481



RIGHT HAND FAIRING SHOWN

RANS S-19 VENTERRA - Optional Belly Fairing Installation

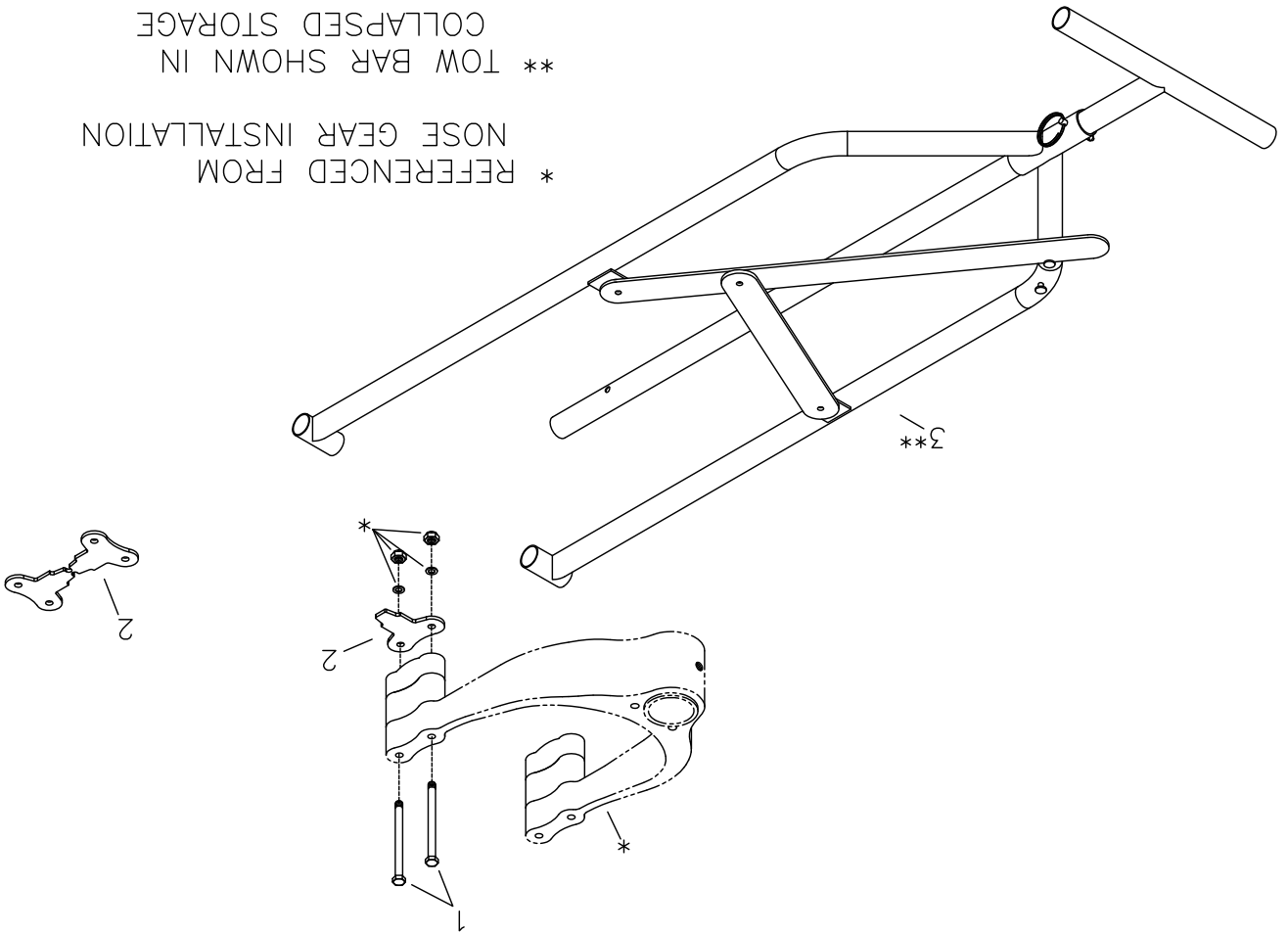
KAFU0063

#	DESCRIPTION	PART NUMBER	QUANTITY
1.	#8 Nut Plate	MS21047-08	8
2.	3/32" Aluminum Rivet	40APR1/8	16
3.	1/4" Rubber Grommet	MS35489-6	2
4.	Belly Fairing - RH	KPFU0661-R	1
4.	Belly Fairing - LH	KPFU0661-L	1
5.	#8 Trusshead Screw	AN515-8R7	8
6.	3/16" x 3/8" Foam Tape	3/16" x 3/8" Foam Tape	26 in.

RAMS S-19 VENTURA OPTIONAL TOW BAR WITHOUT WHEEL PANT INSTALLATION

MDS480
REV. B

* REFERENCED FROM
NOSE GEAR INSTALLATION
** TOW BAR SHOWN IN
COLLAPSED STORAGE
CONFIGURATION



ONLY LEFT HAND SIDE SHOWN FOR CLARITY

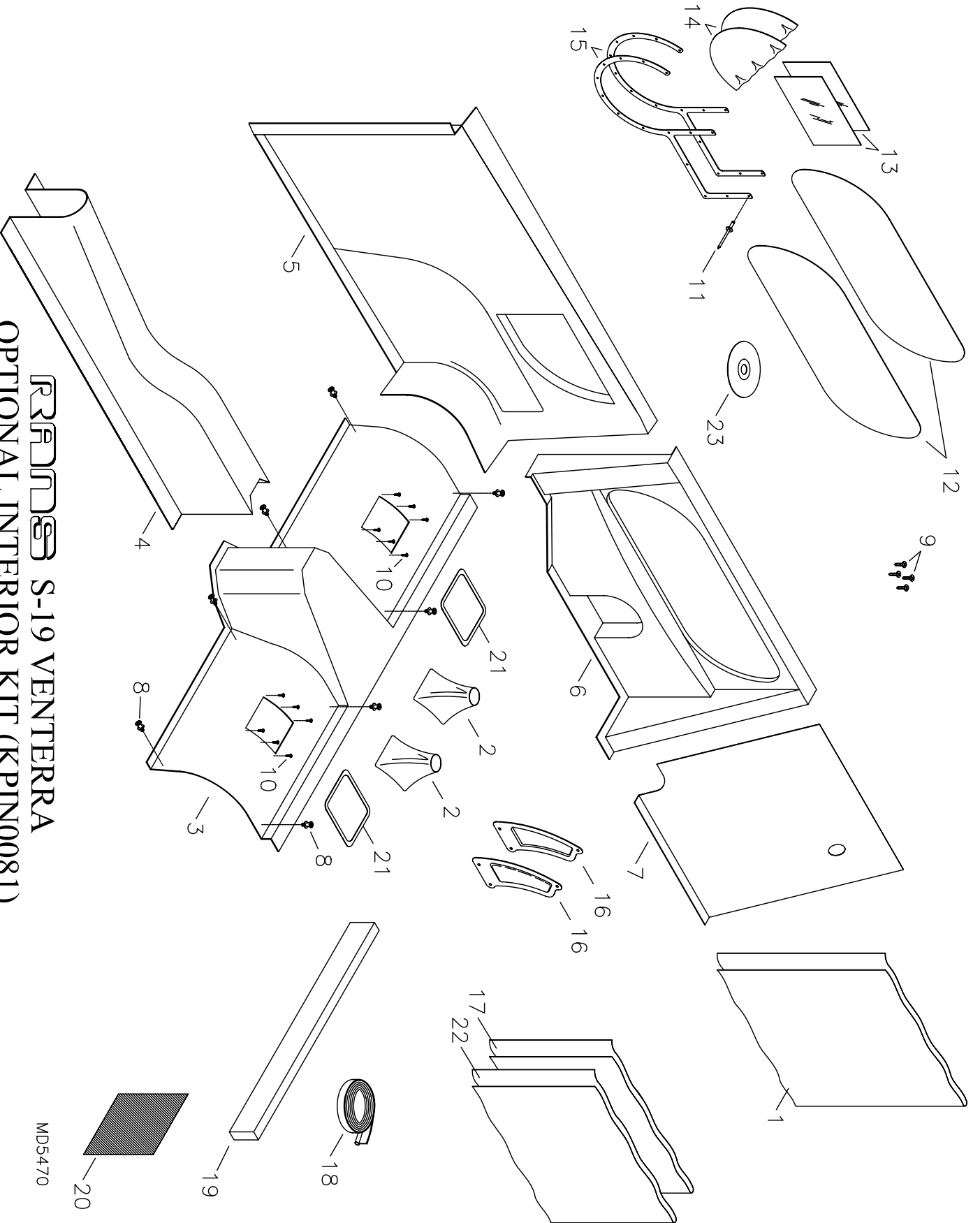
#	DESCRIPTION	PART NUMBER	QUANTITY
1.	1/4" Bolt	AN4-33A	4
2.	Nose Gear Tow Plate **	KPNG0101	1
3.	Tow Bar *	KPAC0233	0

* Tow Bar available separately

** Builder modifies

12 – OPTIONAL INTERIOR

OPTIONAL INTERIOR KIT	12-01 - 12-02
BAGGAGE CLOSEOUT INSTALLATION.....	12A-01 - 12A-02
OPTIONAL CARGO NET INSTALLATION.....	12B-01 - 12B-02



RRADNDS S-19 VENTERRA
OPTIONAL INTERIOR KIT (KPIN0081)

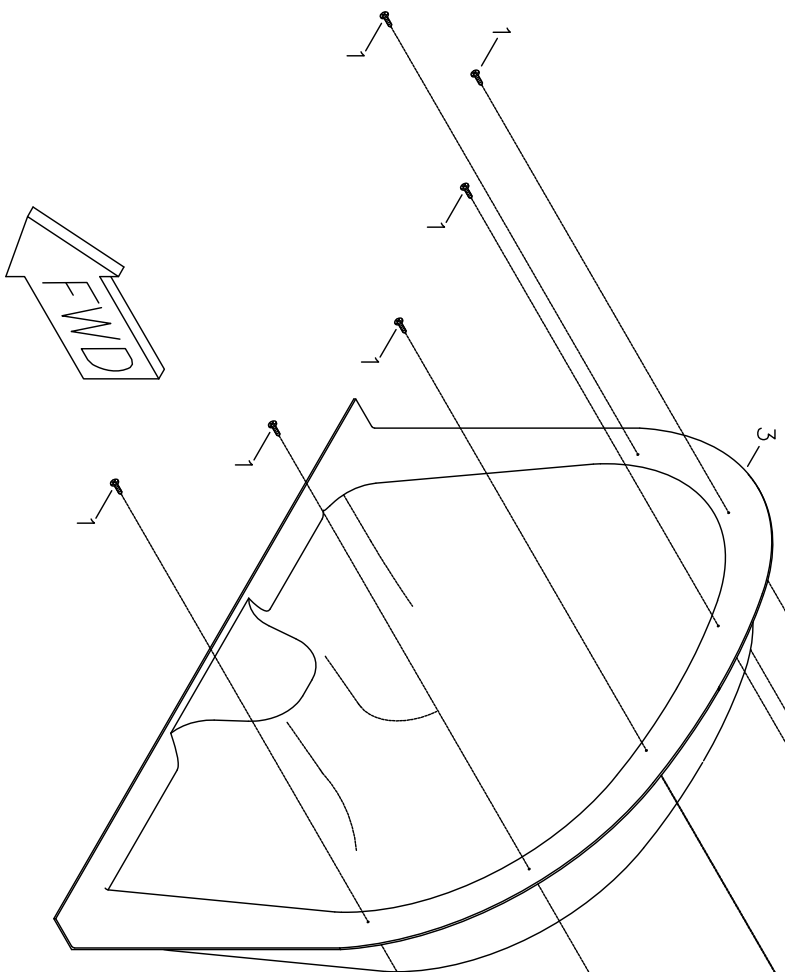
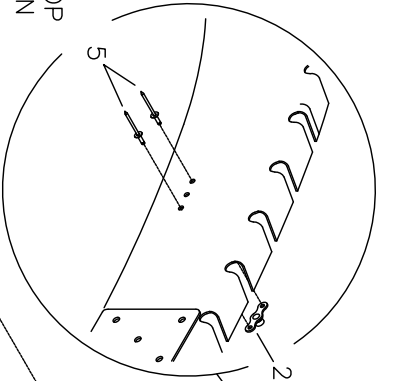
MD5470

RANS S-19 VENTERRA - Optional Interior Kit

Available in GREY or TAN

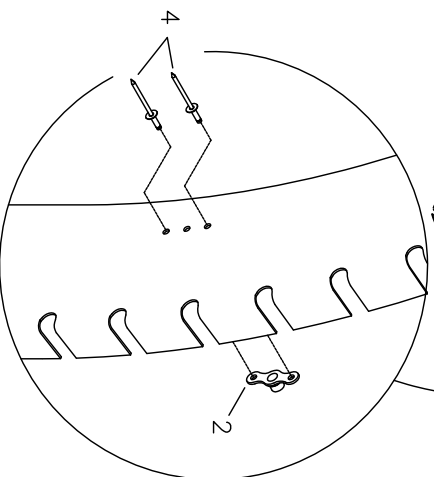
#	DESCRIPTION	PART NUMBER	QUANTITY
1.	Cloth	KPIN0069	1
2.	Control Stick Cover	KPIN0074	2
3.	Control Stick Panel	KPIN0062	1
4.	Rudder Cables Cover	KPIN0073	1
5.	Molded Side Panel - FWD - LH	KPIN0064-L	1
5.	Molded Side Panel - FWD - RH	KPIN0064-R	1
6.	Molded Side Panel - MID - LH	KPIN0063-L	1
6.	Molded Side Panel - MID - RH	KPIN0063-R	1
7.	Aft Panel - RH	KPIN0060-R	1
7.	Aft Panel - LH	KPIN0060-L	1
8.	Screw Rivet	M60-0580-01	4
9.	#6 Pan Head Screw	6RX1/2 PHS	4
10.	#4 Pan Head Screw	4X1/4 PHS	12
11.	1/8" Aluminum Rivet - Avex	1691-0410	30
12.	Side Panel Insert	KPIN0065	2
13.	Certification Pocket - Clear	KPIN0071	2
14.	Aircraft Logbook Pocket - Nylon	KPIN0072	2
15.	Pocket Retainer Strip	KPIN0070	2
16.	Flap Plate Cover - LH	KPIN0075-L	1
16.	Flap Plate Cover - RH	KPIN0075-R	1
17.	Dash Cover Fabric	KPIN0076	1
18.	Trim-Loc	4100C-1/16	56 in.
19.	Canopy Vent Foam	KPIN0077	1
20.	Screen	KPIN0078	1
21.	Control Stick Cover Bezel	KPIN0080	2
22.	Dash Foam	KPIN0079	1
23.	Interior Kit - Installation DVD	KPIN0082	1

TYPICAL AT 2 TOP
ATTACH LOCATION



REFERENCE BULKHEAD #1

TYPICAL AT 4 SIDE
ATTACH LOCATION



RRRINDOS S-19 VENTERRA BAGGAGE CLOSEOUT INSTALLATION

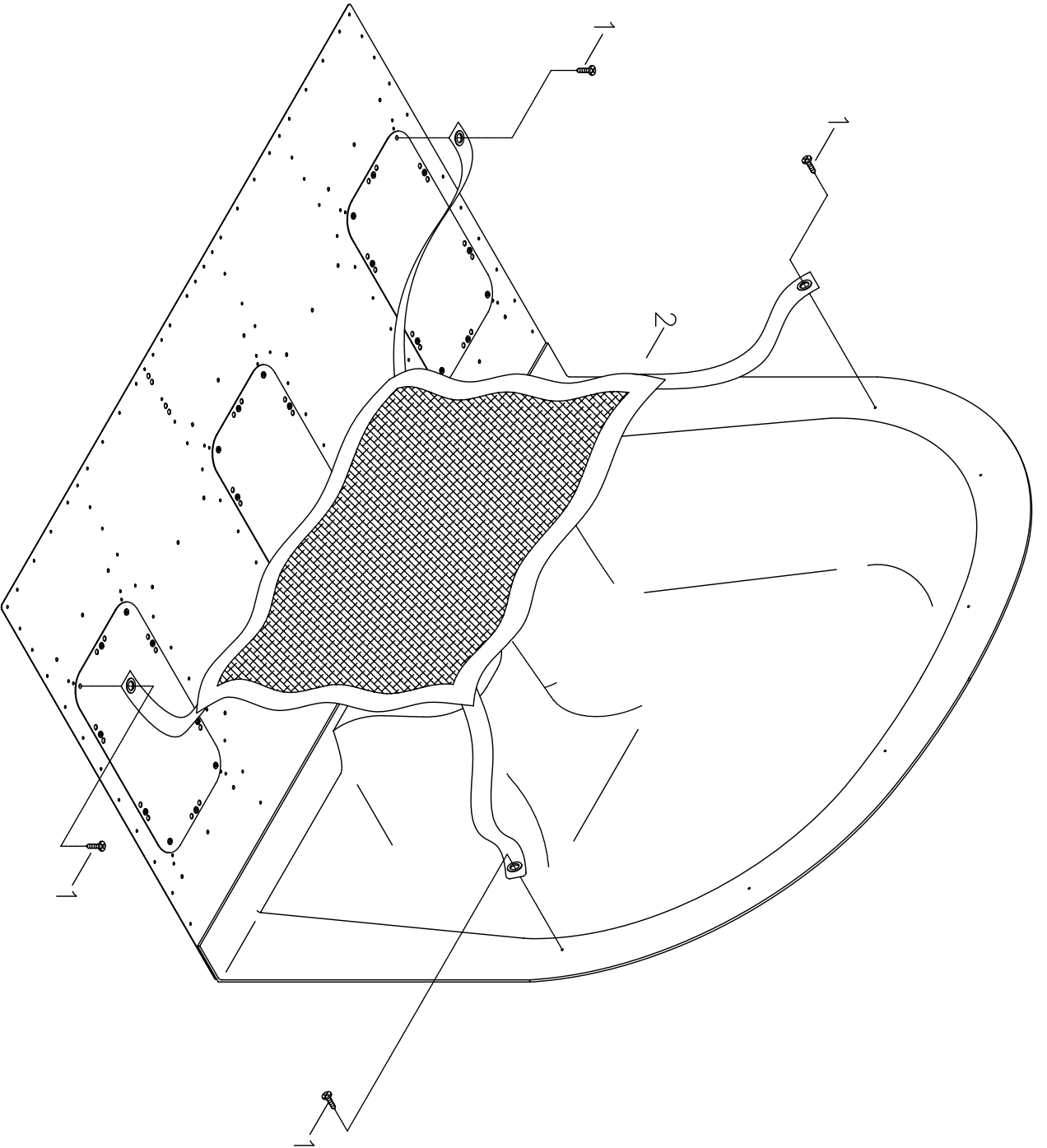
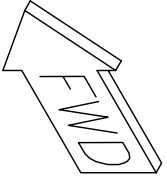
MD5152

RANS S-19 VENTERRA - Baggage Closeout Installation

Available in GREY or TAN

#	DESCRIPTION	PART NUMBER	QUANTITY
1.	#8 Trusshead Screw	AN526-832R10	6
2.	#8 Nut Plate	MS21047-08	6
3.	Baggage Closeout *	KPFU0612	1
4.	3/32" Aluminum Rivet	40APR1/8	8
5.	3/32" Aluminum Rivet	40APR1/4	4

* Ships with Canopy Kit



RRRND088 S-19 VENTERRA
OPTIONAL CARGO NET INSTALLATION

MDS487

#	DESCRIPTION	PART NUMBER	QUANTITY
1.	#8 Trusshead Screw	AN526-832R10	4
2.	Cargo Net	KPIN0083	1