

11 – SEAT ASSEMBLY AND INSTALLATION

SEAT ASSEMBLY	11-01 - 11-02
SEAT INSTALLATION	11-03 - 11-04
SEAT BELT INSTALLATION	11A-01 - 11A-02
OPTIONAL HEADREST ASSEMBLY	11B-01 - 11B-02
OPTIONAL SHORTER PILOT SEAT KIT	11C-01 - 11C-02

RANS S-19 VENTERRA - Seat Assembly

Available in GREY or TAN

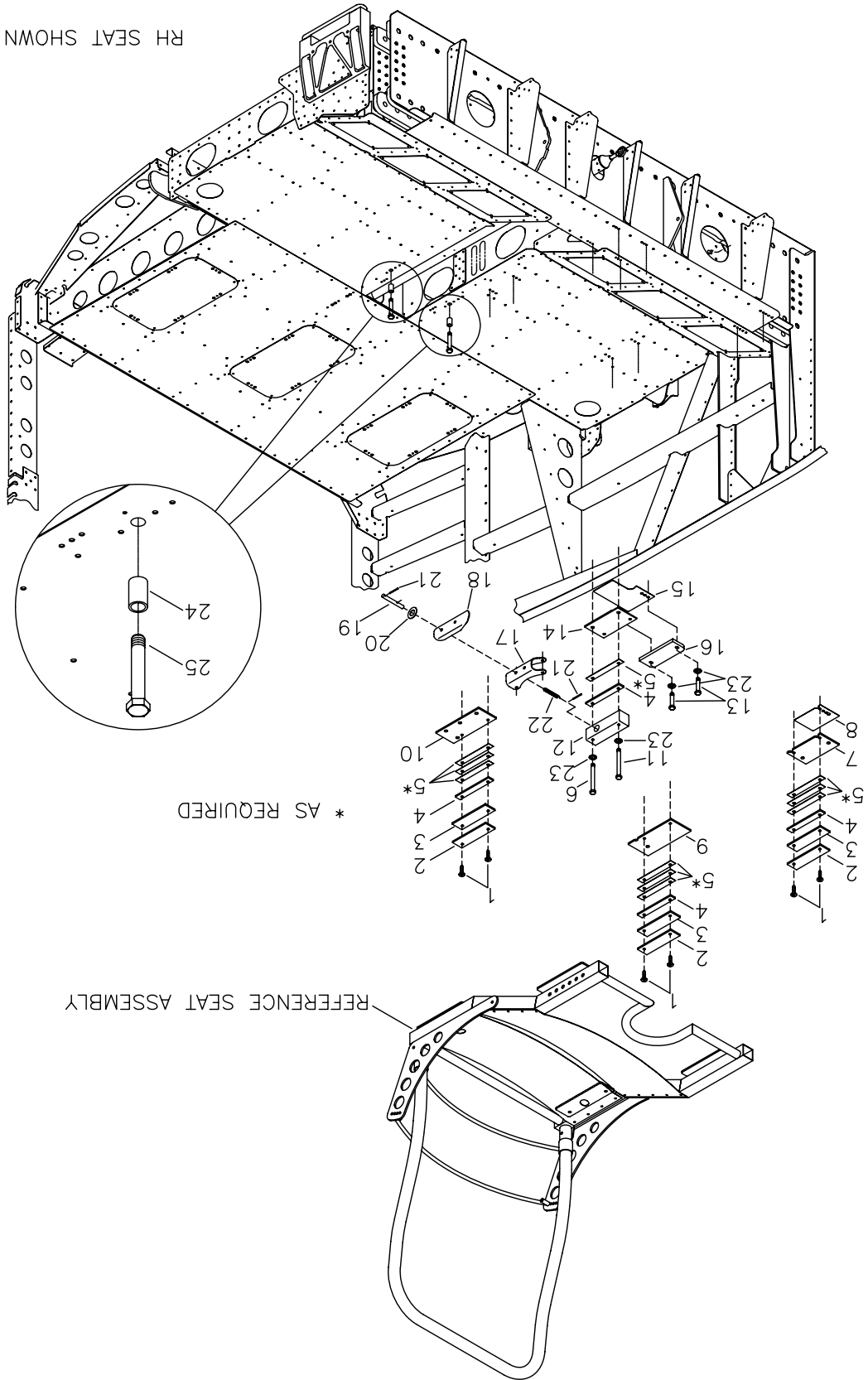
#	DESCRIPTION	PART NUMBER	QUANTITY
1.	Seat Back Cushion	KPST0072	2
2.	Lacing Wire	TG-LW-1/16	2
3.	Nylon Tie - Long	Long-N-Ties	18
4.	Velcro *	-----	0
5.	Seat Bottom Cushion	KPST0074	2
6.	Seat Back Frame	ST-SBF	2
7.	3/16" Thin Washer	AN960-10L	16
8.	3/16" Tensile Nut	AN365-1032A	8
9.	1/8" Stainless Steel Rivet - Cherry Q	CCPQ-42	4
10.	Lower Seat Back Brace	KPST0087	2
11.	1/8" Aluminum Rivet - Avex	1691-0410	70
12.	AFT Seat Pan	KPST0084	2
13.	FWD Seat Pan	KPST0083	2
14.	Seat Back Brace	KPST0081	2
15.	3/16" Bolt	AN3-4A	4
16.	3/16" Bolt	AN3-15A	4
17.	3/16" Bolt	AN3-14A	4
18.	Seat Back Attach Gusset - Standard	KPST0080	4
19.	Seat Bottom Frame - RH	KPST0108-R	1
19.	Seat Bottom Frame - LH	KPST0108-L	1
20.	Slider Plate	KPST0078	8
21.	3/16" Countersunk Machine Screw	MS24694-S50	16
22.	3/16" Shear Nut	AN364-1032A	16
23.	1" Seat End Plug	KSST0016	8
24.	Seat Back Plate - Upper	KPST0073-1	2
25.	Seat Back Plate - Middle	KPST0073-2	2
26.	Seat Back Plate - Lower	KPST0073-3	2
27.	S-19 Assembly Manual on CD - Seat	S-19 Assembly Manual	1

* Velcro is attached to Seat Bottom Cushion.

RRMS S-19 VENTURA SEAT INSTALLATION

MD5157

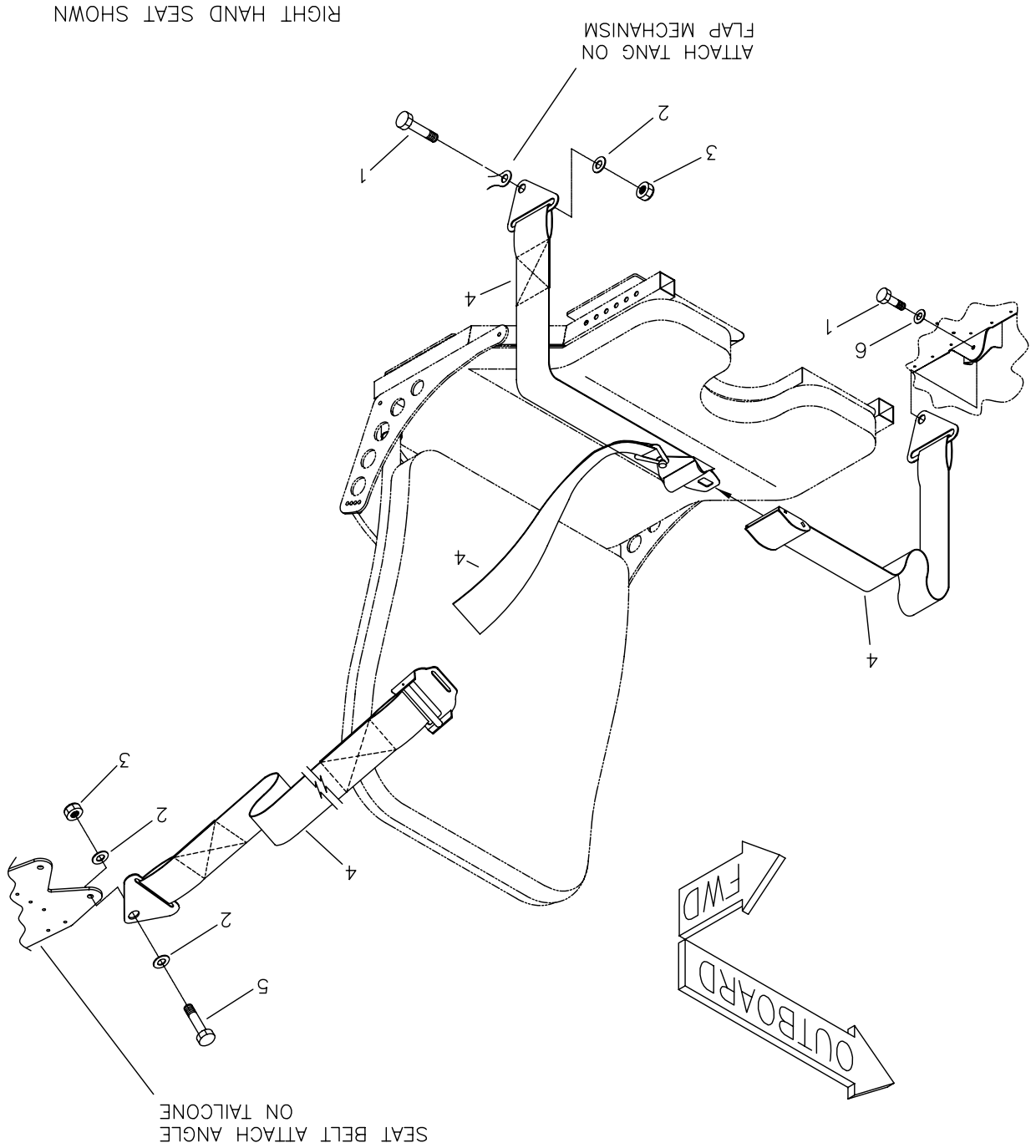
RH SEAT SHOWN



#	DESCRIPTION	PART NUMBER	QUANTITY
1.	3/16" Countersunk Machine Screw	AN509-1032R16	12
2.	Slider Plate - Aluminum	KPST0086	6
3.	Slider Plate - Nylon	KPST0085	6
4.	Spacer Plate	KPST0079	8
5.	Seat Shim	KPST0089	1
6.	3/16" Bolt	AN3-17A	2
7.	Seat Shim - Outboard - FWD (Nylon)	KPST0100	2
8.	Seat Shim - Outboard - FWD (Alum.)	KPST0104	2
9.	Seat Shim - Outboard - AFT (Nylon)	KPST0101	2
10.	Seat Shim - Inboard - AFT (Nylon)	KPST0102	2
11.	3/16" Bolt	AN3-16A	2
12.	Seat Slider Block	KPST0076	2
13.	3/16" Bolt	AN3-6A	4
14.	Seat Shim - Inboard - FWD (Nylon) - LH	KPST0099-L	1
14.	Seat Shim - Inboard - FWD (Nylon) - RH	KPST0099-R	1
15.	Seat Shim - Inboard - FWD (Alum.)	KPST0103	2
16.	Seat Capture Block	KPST0088	2
17.	Seat Latch Mount	KPST0090	2
18.	Seat Latch	KPST0091	2
19.	Spring Pin	KPST0096	2
20.	1/4" Thin Washer	AN960-416L	2
21.	Roll Pin, 3/32" X 5/8"	T19-094-0625	4
22.	Seat Pin Spring	KSHW0087	2
23.	3/16" Thin Washer	AN960-10L	8
24.	Spacer	KSHW0042	2
25.	3/16" bolt	AN3-4A	2

RRMS S-19 VENTURA SEAT BELT INSTALLATION

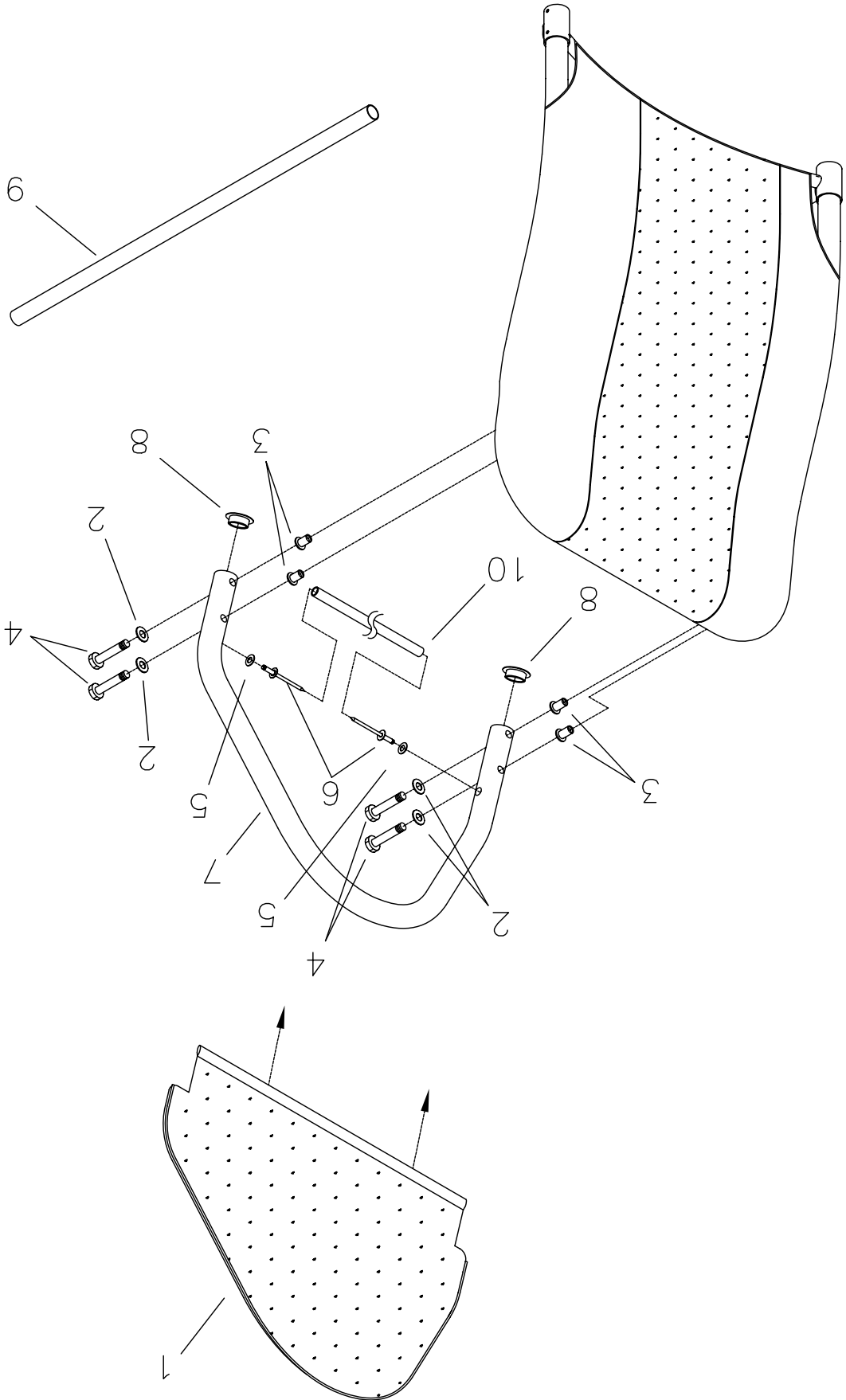
MD5229



#	DESCRIPTION	PART NUMBER	QUANTITY
1.	1/4" Bolt	AN4-5A	4
2.	1/4" Thick Washer	AN960-416	6
3.	1/4" Tensile Nut	AN365-428A	4
4.	Seat Belt Kit	KAST0025	2
5.	1/4" Bolt	AN4-6A	2
6.	1/4" Thin Washer	AN960-416L	2

RFD S-19 VENTURA OPTIONAL HEADREST ASSEMBLY

MD5108



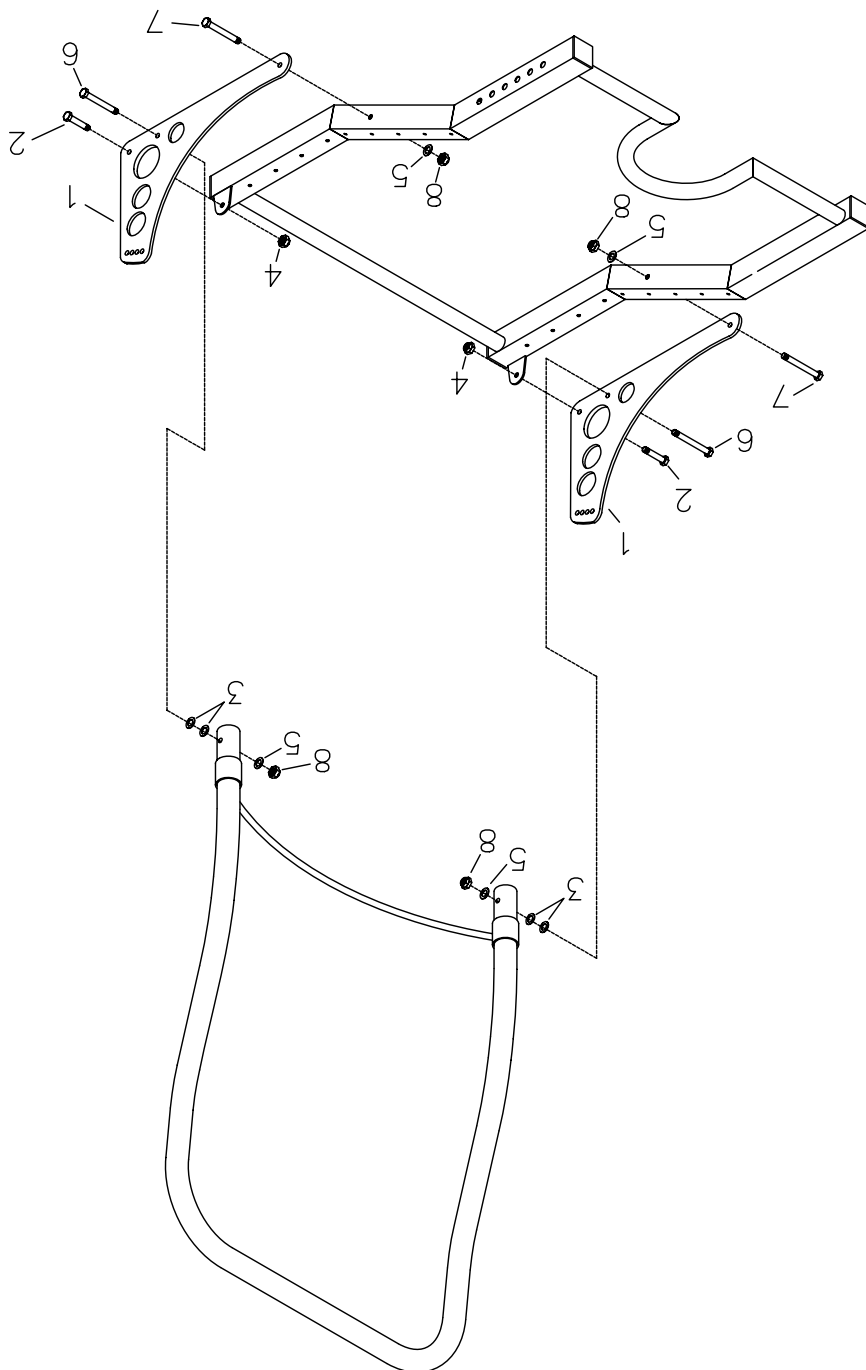
RANS S-19 VENTERRA - Optional Headrest Assembly

Available in GREY or TAN

#	DESCRIPTION	PART NUMBER	QUANTITY
1.	Headrest Cover	ST-HRC-A	2
2.	3/16" Thin Washer	AN960-10L	8
3.	3/16" Rivet Nut	MS27130-A25K	8
4.	3/16" Bolt	AN3-14A	8
5.	3/16" Thick Washer	AN960-10	4
6.	3/16" Aluminum Rivet - Cherry Q	AAPQ-64	4
7.	Headrest Frame	ST-HRF(6/12)	2
8.	1" End Cap	1 CAP	4
9.	Headrest - Raw Stock Kit	KAAC0014	2
10.	Headrest Internal Tube	KAAC0014-1	0

RPM S-19 VENTURA OPTIONAL SHORTER PILOT SEAT ASSEMBLY

MD5535



RANS S-19 VENTERRA - Optional Shorter Pilot Seat Kit

Parts List is for 1 seat

#	DESCRIPTION	PART NUMBER	QUANTITY
1.	Seat Back Attach Gusset - Small	KPST0110	2
2.	3/16" Bolt	AN3-5A	2
3.	3/16" Thick Washer	AN960-10	4
4.	3/16" Tensile Nut	AN365-1032A	2
5.	3/16" Thin Washer *	AN960-10L	0
6.	3/16" Bolt*	AN3-15A	0
7.	3/16" Bolt *	AN3-14A	0
8.	3/16" Tensile Nut *	AN365-1032A	0

* Referenced from Seat Assembly.