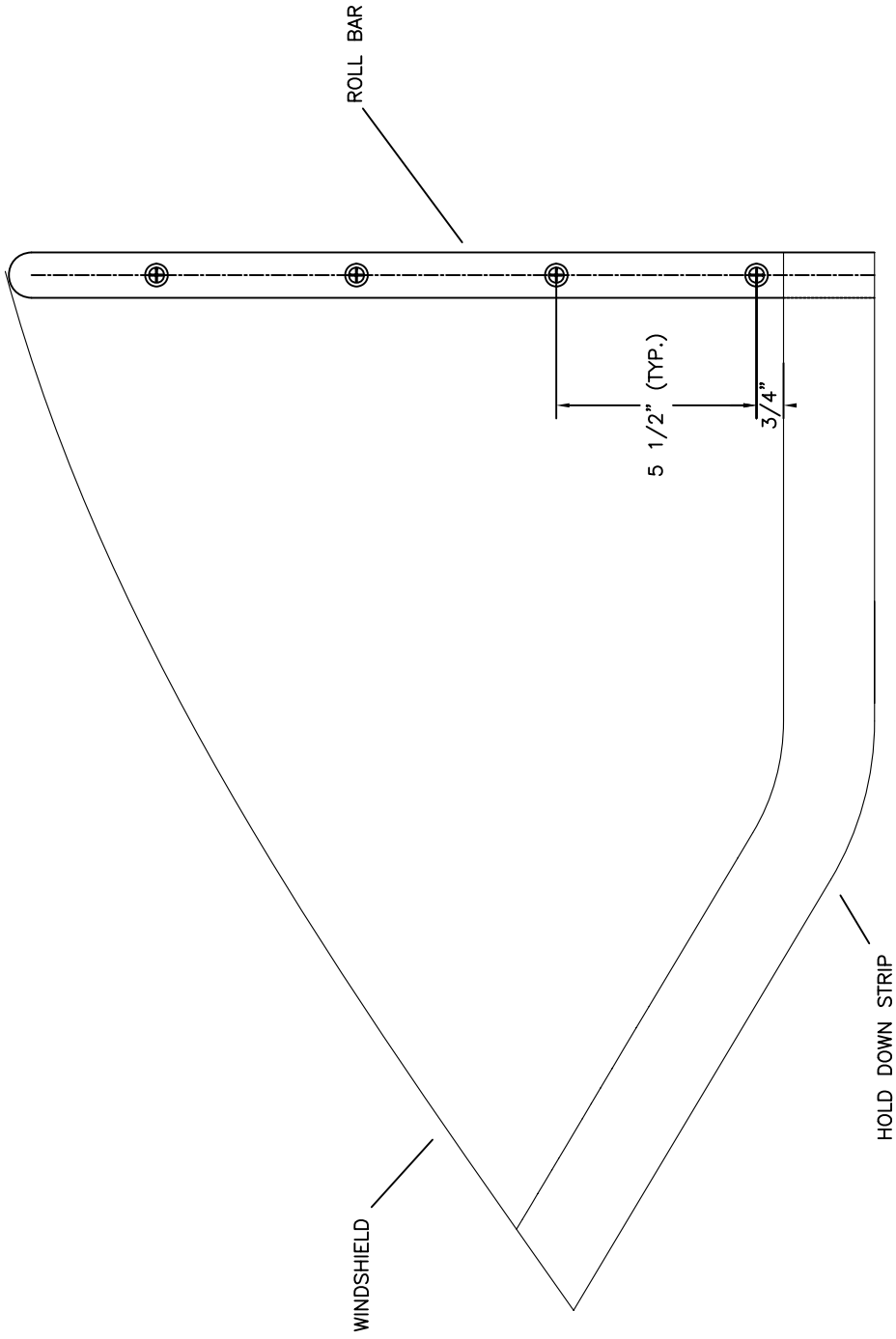


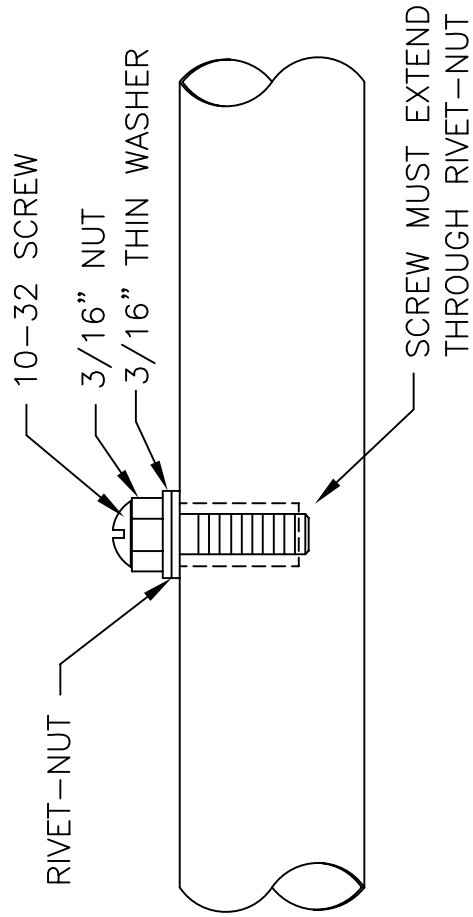
10 – WINDSHIELD and CANOPY

WINDSHIELD RIVET-NUT SPACING	10-14
RIVET-NUT INSTALLATION	10-17
CANOPY ATTACH ANGLE DRILLING.....	10A-02
LOWER CANOPY TRIM STRIP DRILLING.....	10A-04
CAPTURE STRIP DRILLING.....	10A-10
CANOPY RIVET-NUT SPACING.....	10A-14
OUTER TRIM STRIP MODIFICATION	10A-17
CANOPY LATCH INSTALLATION.....	10B-06
CANOPY HANDLE MODIFICATION	10B-07
OPTIONAL CANOPY KEY LOCK LOCATION	10C-02



RAMS S-19 VENTERRA
 WINDSHIELD RIVET-NUT SPACING
 FIGURE 10-14

MD5144



PROCEDURE BELOW MAY BE USED WHEN A RIVET-NUT PULLER IS NOT AVAILABLE.

1. FINGER TIGHTEN NUT AND RIVET-NUT ONTO SCREW.
2. INSERT RIVET-NUT INTO 1/4" HOLE.
3. TURN NUT 3 COMPLETE TURNS CLOCKWISE WHILE HOLDING SCREW STATIONARY.
4. BACK NUT OFF 1/2 TURN AND REMOVE SCREW.

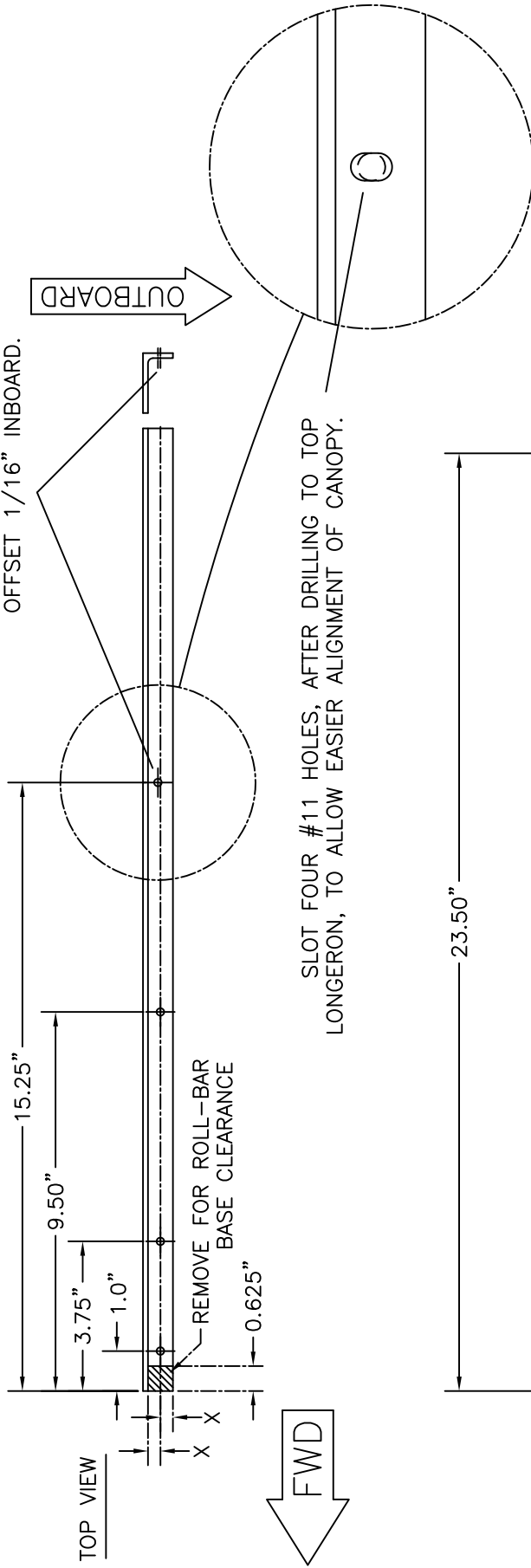
RRR S-19 VENTERRA
RIVET-NUT INSTALLATION
FIGURE 10-17

MD343

NOTE: MAKE RIGHT AND LEFT HAND CANOPY ATTACH ANGLES

STEP DRILL ALL HOLES #11.

ALL HOLES CENTERED, EXCEPT THIS ONE.
OFFSET 1/16" INBOARD.



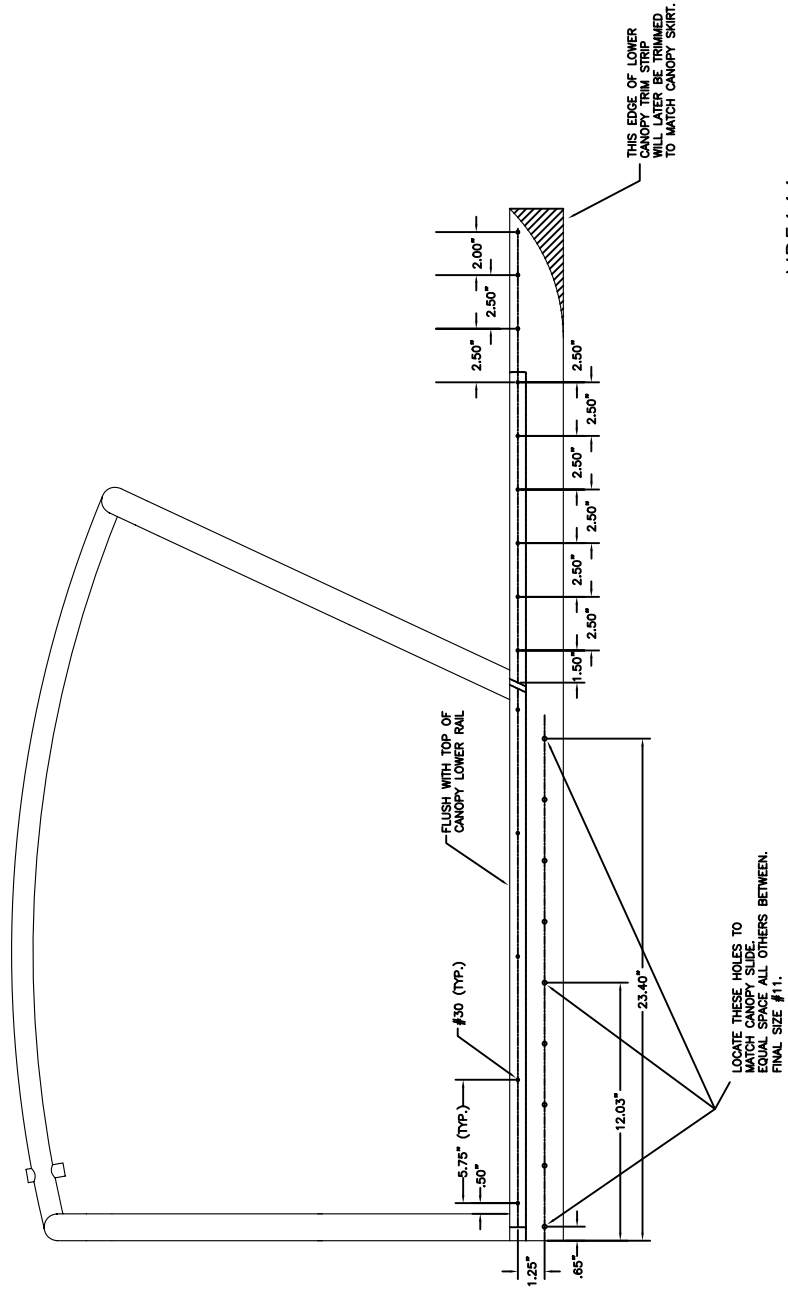
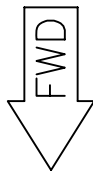
HINT: PLACE 3/16" BOLT AND THICK WASHERS UNDER CANOPY SLIDE; WHEN DRILLING, TO PROVIDE CLEARANCE

SET CANOPY SLIDE ON ANGLE AND LOCATE THESE HOLES (#11) TO MATCH CANOPY SLIDE.
EQUAL SPACE ALL OTHERS. TRANSFER DRILL (#11) INTO SLIDE.

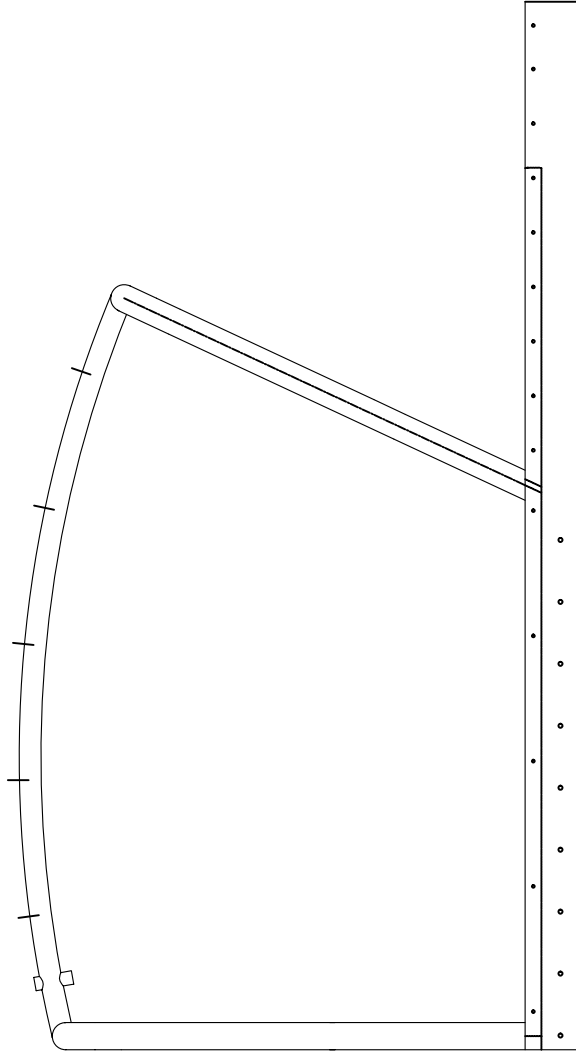
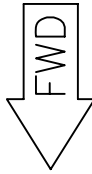
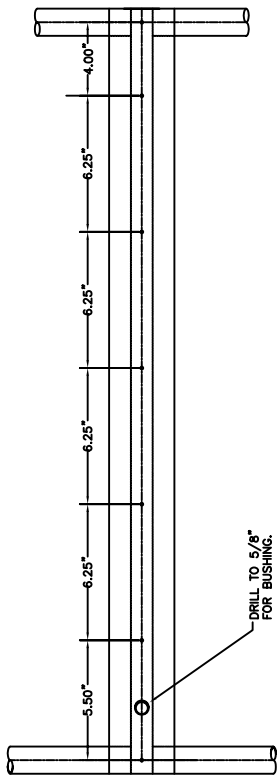
RAMBER S-19 VENTERRA
CANOPY ATTACH ANGLE DRILLING

FIGURE 10A-02

MD5125
REV. A

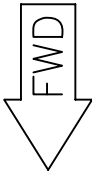
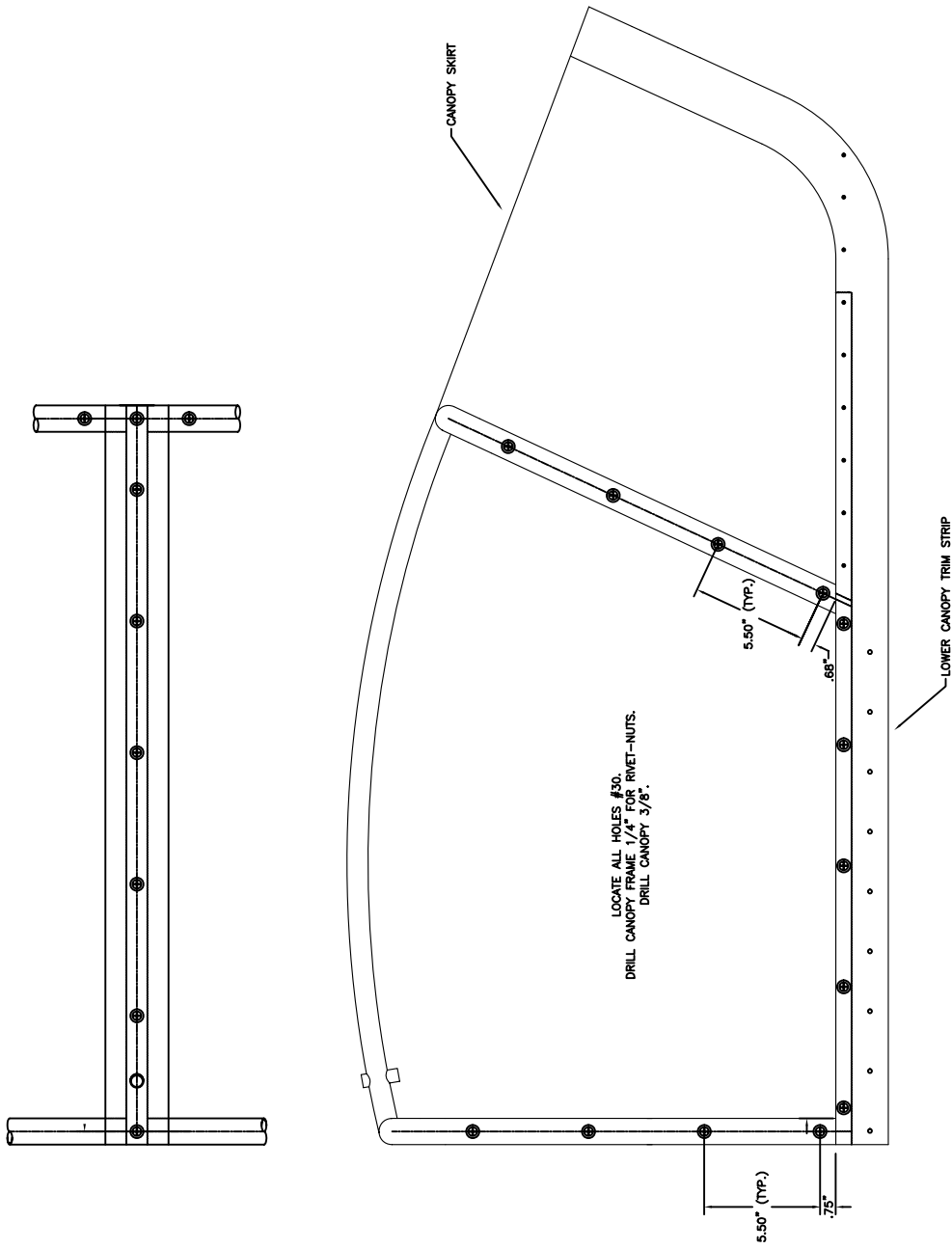


RAMBO S-19 VENTERRA
LOWER CANOPY TRIM STRIP DRILLING
FIGURE 10A-04



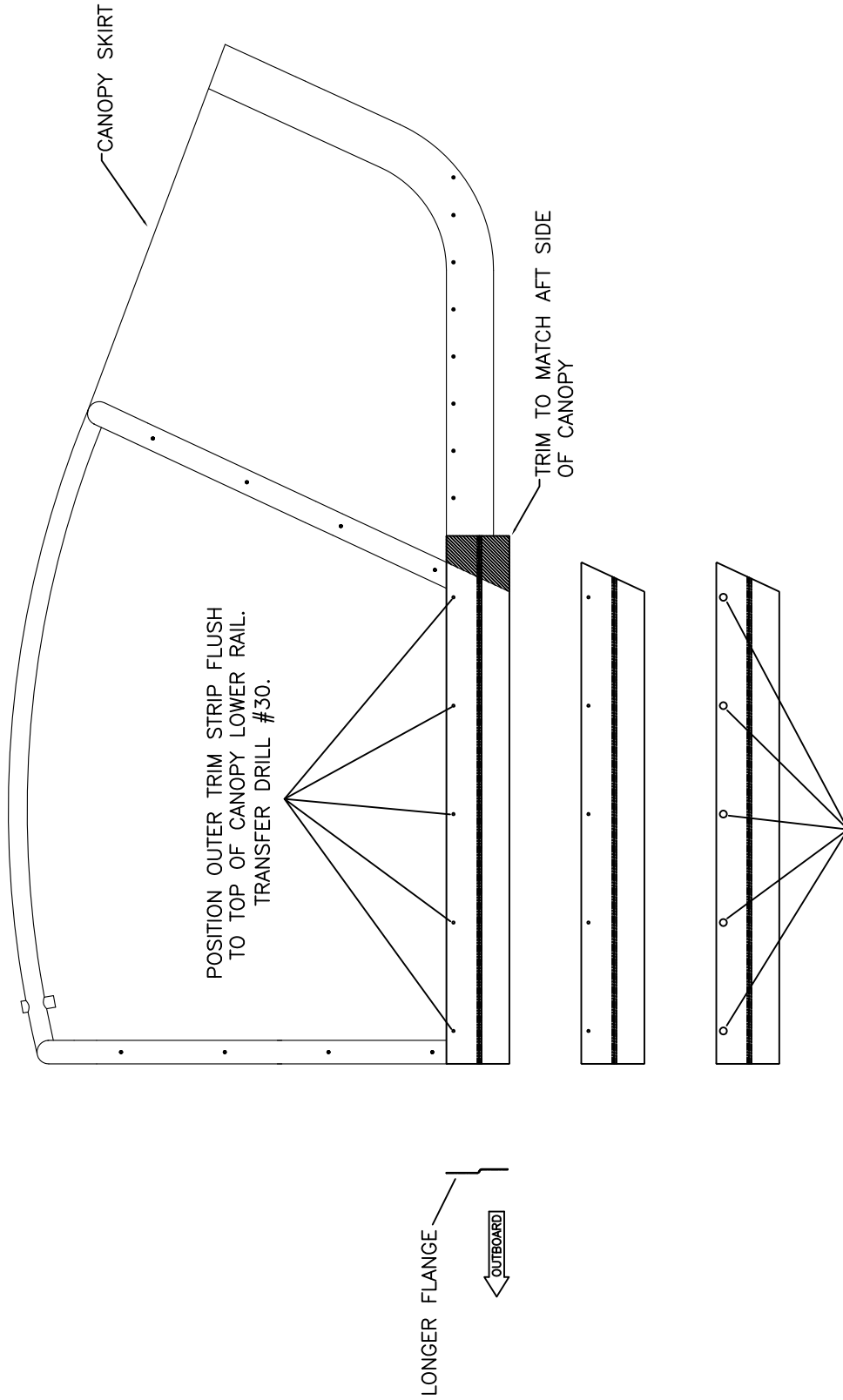
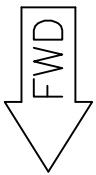
MD5144

RRR S-19 VENTERRA
 CAPTURE STRIP DRILLING
 FIGURE 10A-10



MD5144

RAMS S-19 VENTERRA
CANOPY RIVET-NUT SPACING
FIGURE 10A-14



FINAL SIZE OUTER TRIM STRIP HOLES TO 3/8".
FINAL INSTALL ON OUTBOARD SIDE OF CANOPY ASSEMBLY.

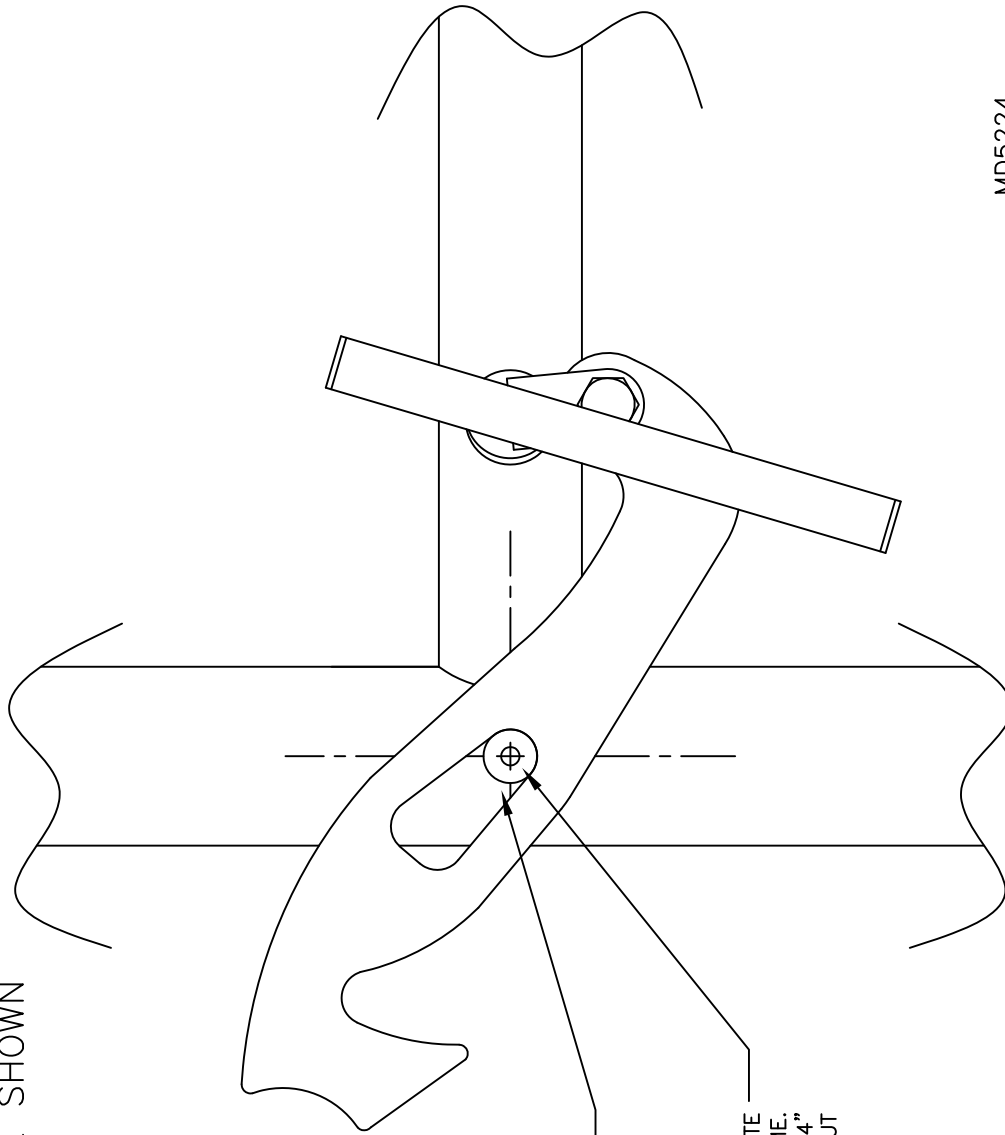
MD5144

RAMS S-19 VENTERRA

OUTER TRIM STRIP MODIFICATION

FIGURE 10A-17

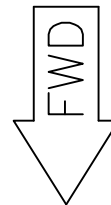
LOWER SIDE OF CANOPY FRAME SHOWN



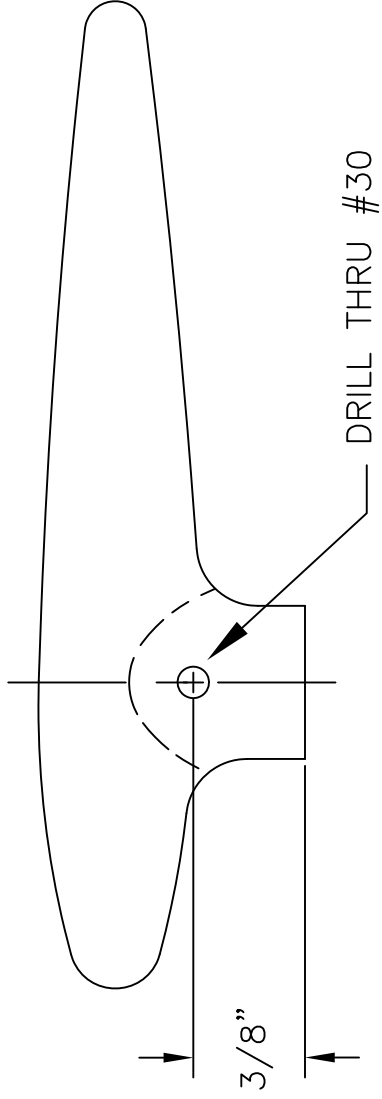
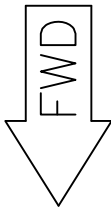
3/8" NYLON BUSHING

USE 3/8" NYLON BUSHING TO LOCATE
AND DRILL #11 INTO CANOPY FRAME;
DRILL CANOPY FRAME 1/4"
AND INSTALL RIVET NUT

MD5224



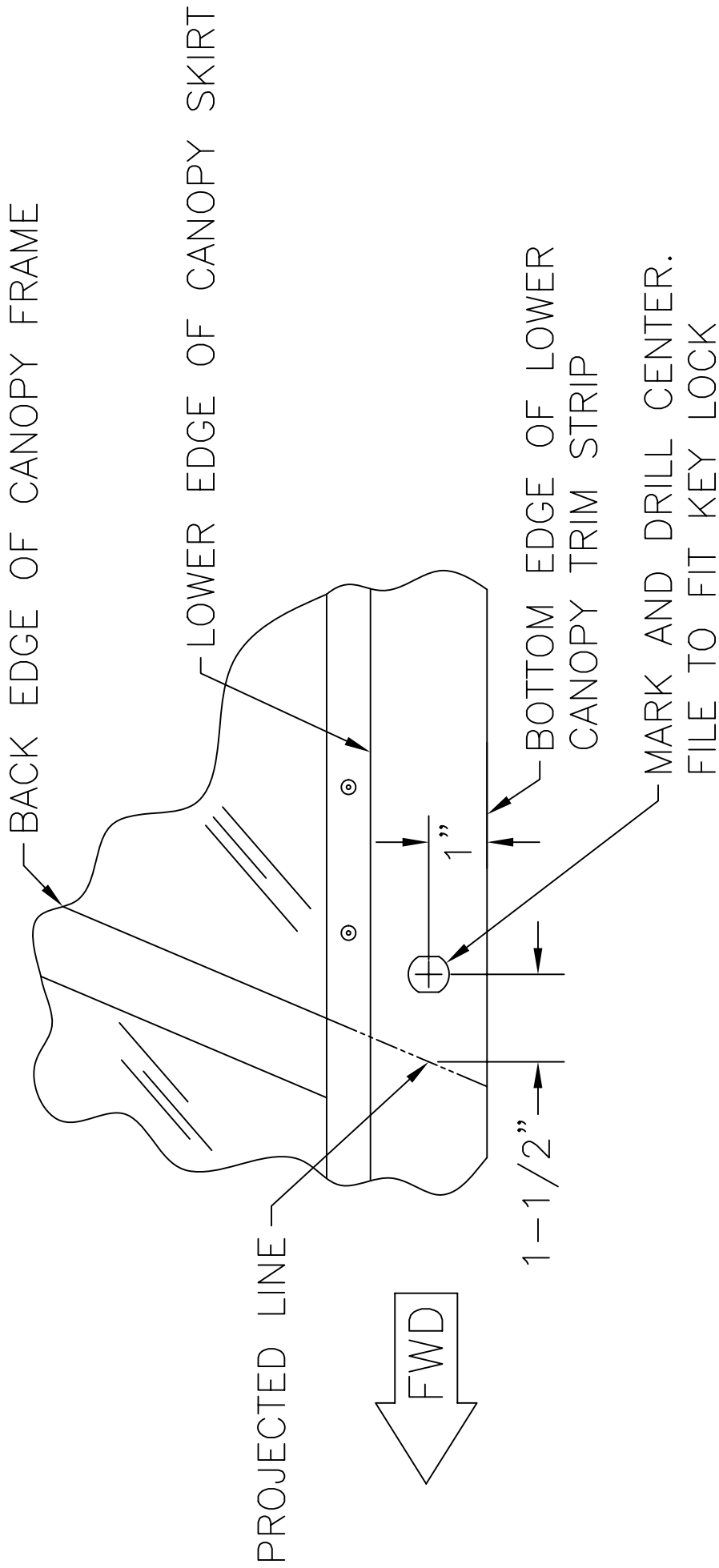
RRR S-19 VENTERRA
CANOPY LATCH INSTALLATION
FIGURE 10B-06



MD5224

RRF S-19 VENTERRA
CANOPY HANDLE MODIFICATION
FIGURE 10B-07

LH SIDE OF CANOPY



RAVEN S-19 VENTERRA
OPTIONAL CANOPY KEY LOCK LOCATION
FIGURE 10C-02

MD5509