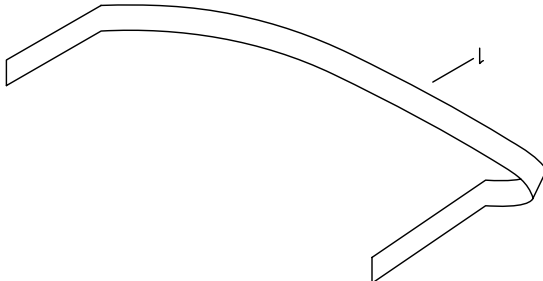
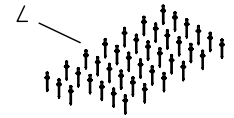
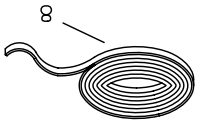
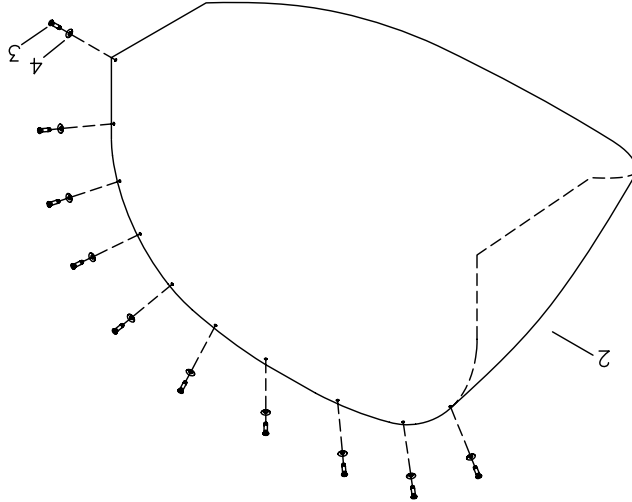
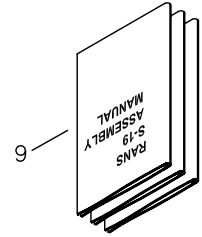
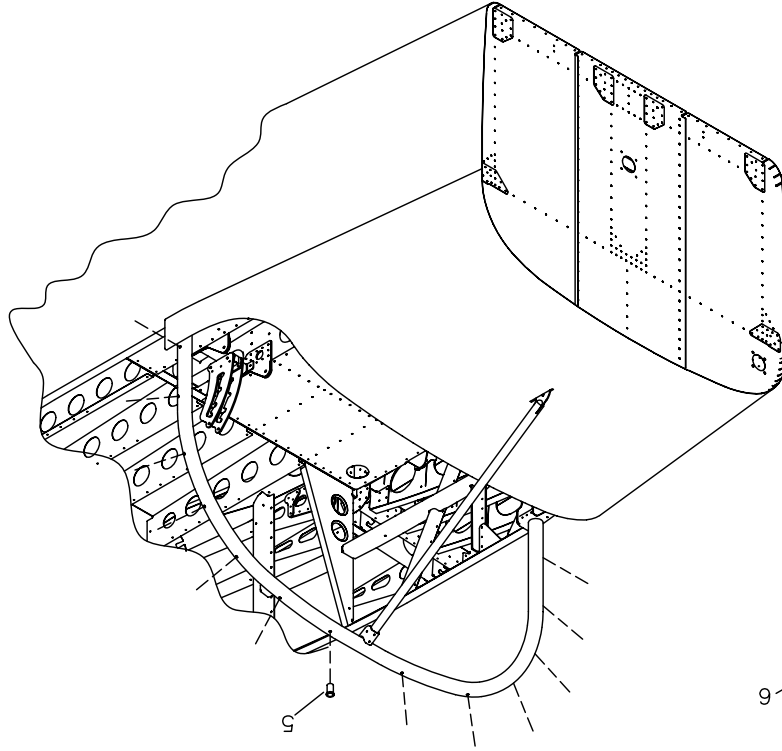


10 – WINDSHIELD and CANOPY

| | |
|--------------------------------------|-----------------|
| WINDSHIELD INSTALLATION | 10-01 - 10-02 |
| CANOPY ASSEMBLY & INSTALLATION..... | 10A-01 - 10A-02 |
| OPTIONAL KEY LOCK INSTALLATION | 10B-01 - 10B-02 |

RANS S-19 VENTURA WINDSHIELD INSTALLATION

MD5100



| # | DESCRIPTION | PART NUMBER | QUANTITY |
|----------|--|----------------------|-----------------|
| 1. | Windshield Hold Down Strip - pre-fabricated ** | KPWS0046 | 0 |
| 1. | Windshield Hold Down Strip * | ----- | 0 |
| 2. | Windshield | KPWS0036 | 1 |
| 3. | 3/16" Countersunk Machine Screw | MS24694-S50 | 14 |
| 4. | 3/16" Countersunk Washer | NAS1169-10L | 14 |
| 5. | 3/16" Rivet Nut | MS27130-A25K | 14 |
| 6. | S-19 Assembly Manual on CD - Canopy | S-19 Assembly Manual | 1 |
| 7. | 1/8" Aluminum Rivet - Avex | 1691-0410 | 39 |
| 8. | 1/2" Black Foam Tape | KSAC0021 | 6.5 ft. |

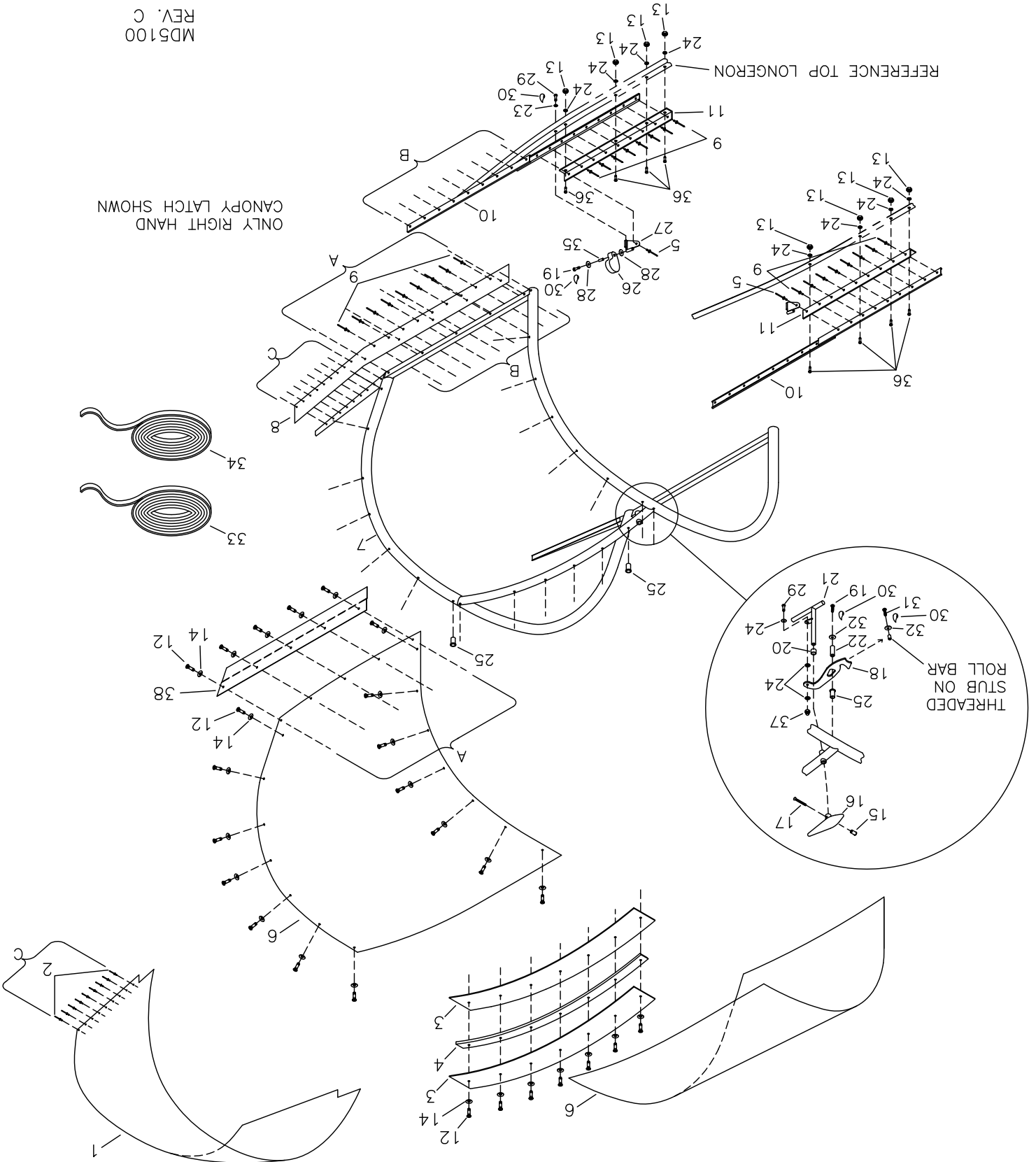
* Builder fabricates

** Pre-fabricated part available as an option from RANS Parts Dept

RRMS S-19 VENTRA CANOPY ASSEMBLY AND INSTALLATION

MD5100
REV. C

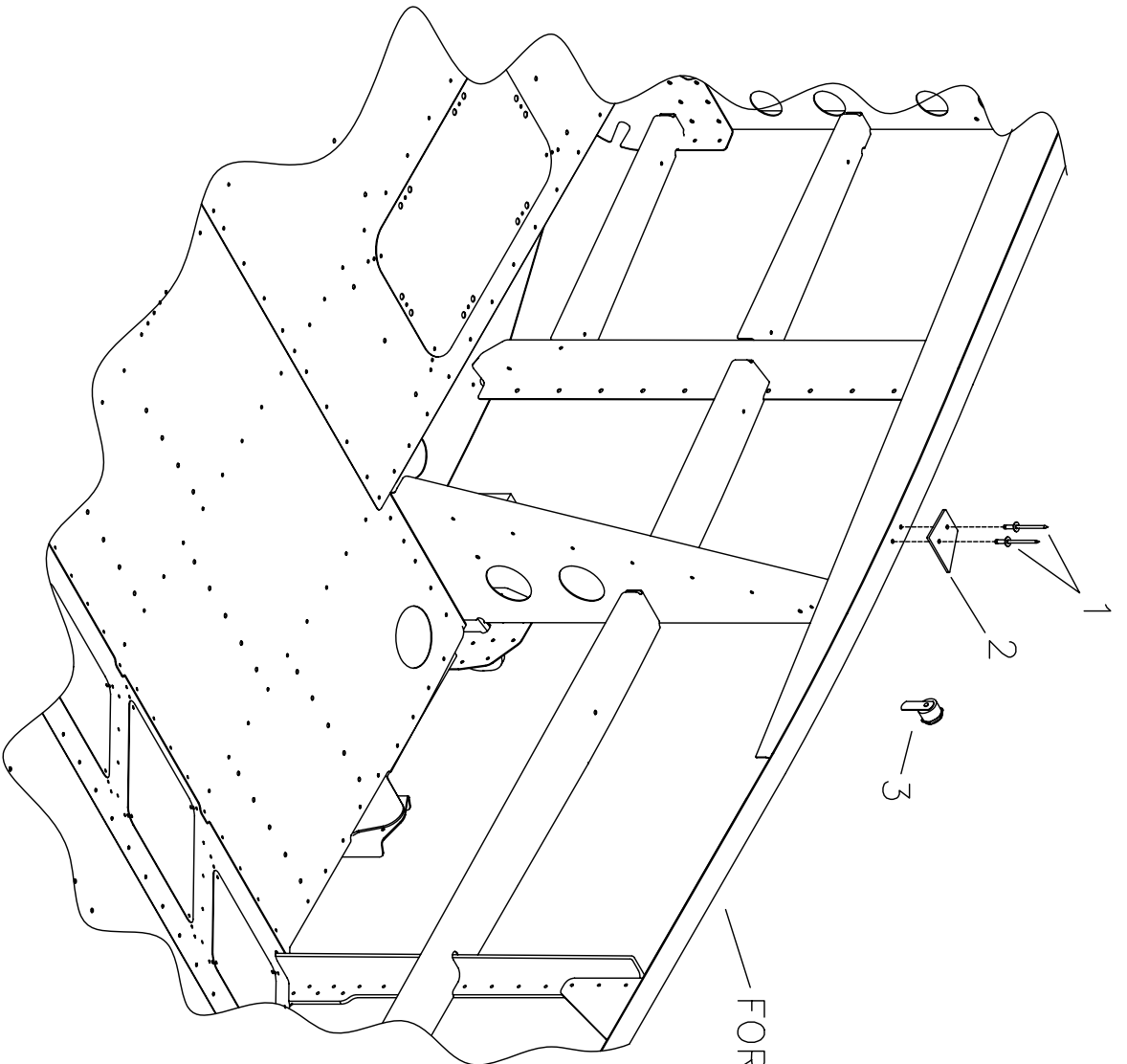
ONLY RIGHT HAND
CANOPY LATCH SHOWN



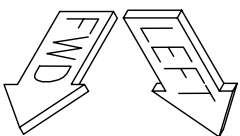
| # | DESCRIPTION | PART NUMBER | QUANTITY |
|----------|---|--------------------|-----------------|
| 1. | Canopy Skirt | KPFU0617 | 1 |
| 2. | 1/8" Aluminum Rivet - Avex | 1691-0410 | 18 |
| 3. | Capture Strip | KPWS0038 | 2 |
| 4. | Spacer Strip | KPWS0039 | 1 |
| 5. | 3/16" Stainless Steel Rivet - Cherry Q | CCPQ-64 | 2 |
| 6. | Canopy - RH | KPWS0037-R | 1 |
| 6. | Canopy - LH | KPWS0037-L | 1 |
| 7. | Canopy Frame | KAFU0049 | 1 |
| 8. | Lower Canopy Trim Strip | KPWS0042 | 2 |
| 9. | 3/16" Aluminum Rivet - Cherry Q | AAPQ-62 | 36 |
| 10. | Canopy Slide | KPWS0041 | 2 |
| 11. | Canopy Attach Angle | KPWS0040 | 2 |
| 12. | 3/16" Countersunk Machine Screw | MS24694-S50 | 45 |
| 13. | 3/16" Tensile Nut | AN365-1032A | 8 |
| 14. | 3/16" Countersunk Washer | NAS1169-10L | 45 |
| 15. | Brass Flange Nut | KSHW0025 | 1 |
| 16. | Door Handle | KPDR0026 | 1 |
| 17. | Button Head Screw | KSHW0024 | 1 |
| 18. | Canopy Latch | KPDR0123 | 1 |
| 19. | 10-32 X 1-1/4" Truss Head Machine Screw | KSHW0095 | 1 |
| 20. | Spacer Bushing | KPAC0268 | 1 |
| 21. | Canopy Latch Handle | KPDR0124 | 1 |
| 22. | Nylon Bushing, 3/8" x .125" x 5/8" ** | KAAC0044-17 | 1 |
| 23. | 3/16" Thick Washer | AN960-10 | 2 |
| 24. | 3/16" Thin Washer | AN960-10L | 11 |
| 25. | 3/16" Rivet Nut | MS27130-A25K | 46 |
| 26. | Canopy Lock Plate | KPFU0620 | 2 |
| 27. | Canopy Latch - LH | KPFU0621-L | 1 |
| 27. | Canopy Latch - RH | KPFU0621-R | 1 |
| 28. | 3/16" Plastic Washer | PW-3 | 4 |
| 29. | 3/16" Bolt | AN3-4A | 3 |
| 30. | Loctite * | ----- | 0 |
| 31. | Pan Head Phillips Bolt | KSHW0071 | 1 |
| 32. | #10 Stainless Steel Washer | BSHW0022 | 2 |
| 33. | Foam Seal - "D-Cell" - Single | KSAC0013 | 6.5 ft. |
| 34. | 1/2" Black Foam Tape | KSAC0021 | 36 ft. |
| 35. | 1/4" x .028 x 5/16" Bushing ** | KAAC0044-2 | 0 |
| 36. | 3/16" Bolt | AN3-5A | 8 |
| 37. | 3/16" Shear Acorn Nut | 22NKM02 | 1 |
| 38. | Outer Canopy Trim Strip | KPWS0049 | 2 |

* Builder Supplied

** Builder fabricates from raw stock



FORWARD LONGERON



REFINISH S-19 VENTERRA
OPTIONAL KEY LOCK INSTALLATION

MD5510

| # | DESCRIPTION | PART NUMBER | QUANTITY |
|----------|--------------------------------|--------------------|-----------------|
| 1. | 1/8" Aluminum Rivet - Cherry Q | AAPQ-43 | 2 |
| 2. | Canopy Key Latch | KPFU0662 | 1 |
| 3. | Lock * | ----- | 0 |

* Provided with Ignition Switch or may be purchased seperately