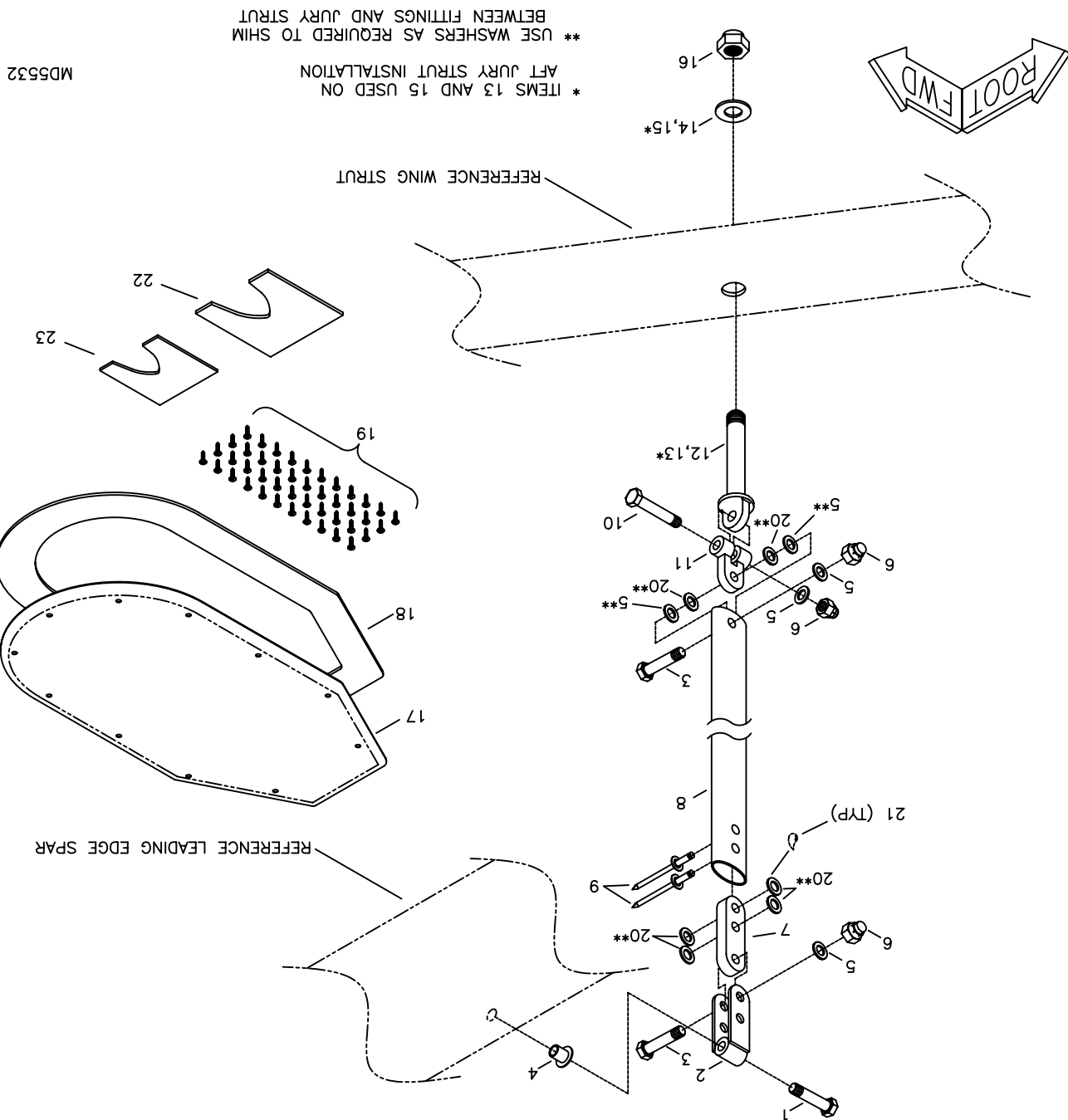


RPM S-9 CHAOS JURY STRUT INSTALLATION



#	DESCRIPTION	PART NUMBER	QUANTITY
1.	3/16" Bolt	AN3-10A	4
2.	Jury Strut Upper Weldment	KPWI0564	4
3.	3/16" Bolt	AN3-6A	8
4.	3/16" Rivet Nut	MS27130-A25K	4
5.	3/16" Thick Washer	AN960-10	28
6.	3/16" Shear Nut	AN364-1032A	12
7.	Jury Strut Connector	KPWI0566	4
8.	Jury Strut *	KPWI0563	4
9.	3/16" Stainless Steel Rivet - Cherry Q	CCPQ-66	8
10.	3/16" Bolt	AN3-11A	4
11.	Jury Strut Lower Weldment	KPWI0565	4
12.	1/4" Eyebolt	AN43B-15A	2
13.	1/4" Eyebolt	AN43B-14A	2
14.	1/4" Thin Washer	AN960-416L	2
15.	1/4" Thick Washer	AN960-416	2
16.	1/4" Tensile Acorn Nut	42NKE-048	4
17.	Inspection Cover	KPCV0048	4
18.	Inspection Ring	KPCV0049	4
19.	#4 Pan Head Screw	4X1/4 PHS	44
20.	3/16" Thin Washer	AN960-10L	24
21.	Adhesive - Superglue **	-----	0
22.	Large Lift Strut Chord Template ***	KPLS0003	0
23.	Small Lift Strut Chord Template ***	KPLS0004	0

* Builder modifies

** Builder provides

*** Referenced from Lift Strut Assembly

2/22/2011