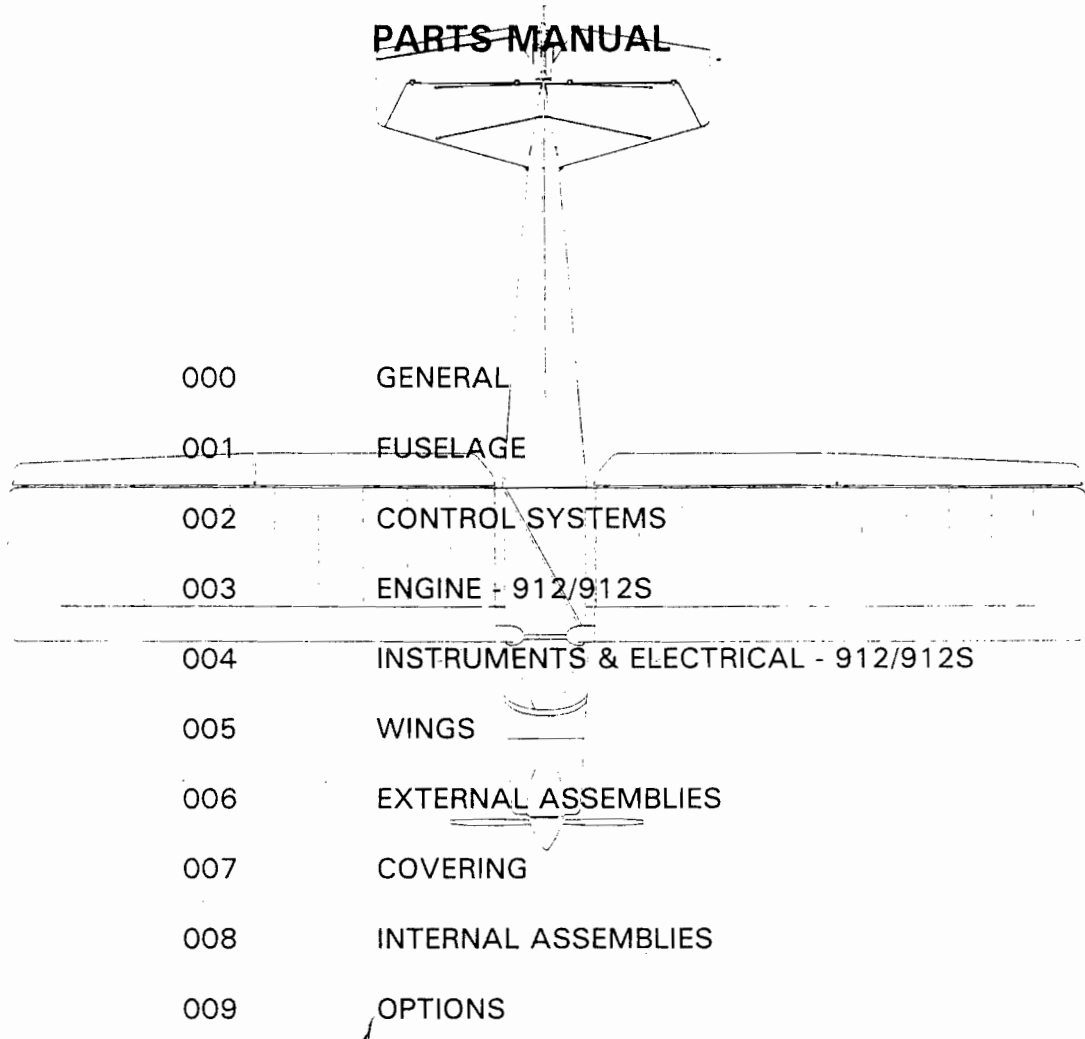


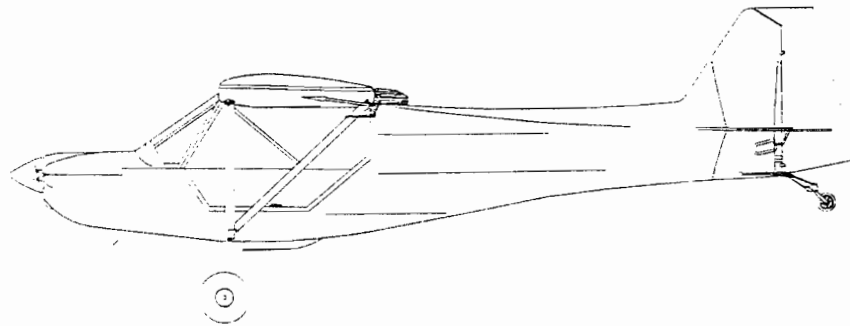


RANS S-7 COURIER

~~PARTS MANUAL~~



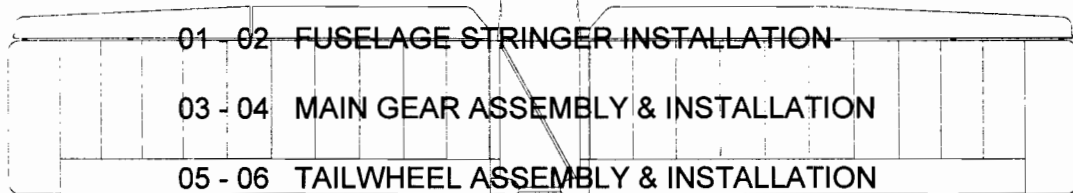
000	GENERAL
001	FUSELAGE
002	CONTROL SYSTEMS
003	ENGINE - 912/912S
004	INSTRUMENTS & ELECTRICAL - 912/912S
005	WINGS
006	EXTERNAL ASSEMBLIES
007	COVERING
008	INTERNAL ASSEMBLIES
009	OPTIONS



RANS S-7 COURIER

PARTS MANUAL

SECTION 001 - FUSELAGE



07 - 08 TAIL GROUP ASSEMBLY & INSTALLATION

09 - 10 TRIM TAB ASSEMBLY & INSTALLATION

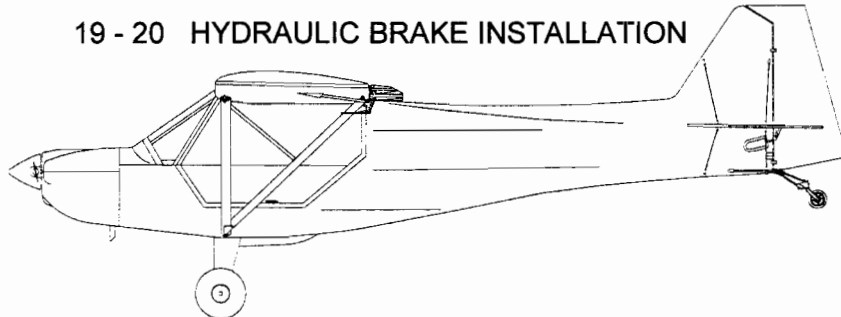
11 - 12 FLOORBOARD INSTALLATION

13 - 14 RUDDER PEDAL INSTALLATION

15 - 16 RUDDER SYSTEM ASSEMBLY & INSTALLATION

17 - 18 FIREWALL INSTALLATION

19 - 20 HYDRAULIC BRAKE INSTALLATION



RANS S-7 COURIER

PARTS MANUAL

SECTION 002 - CONTROL SYSTEMS

01 - 02 CONTROL STICK ASSEMBLY & INSTALLATION

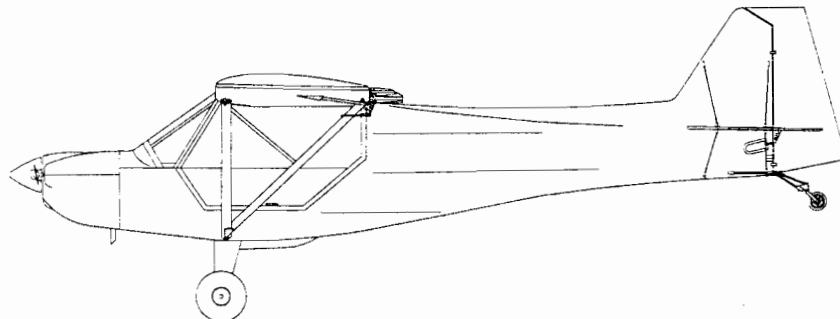
03 - 04 ELEVATOR CONTROL SYSTEM INSTALLATION

05 - 06 ELEVATOR PUSH PULL TUBE ASSEMBLY

07 - 08 AILERON CABLE SYSTEM

09 - 10 FLAP LEVER ASSEMBLY INSTALLATION

11 - 12 THROTTLE INSTALLATION

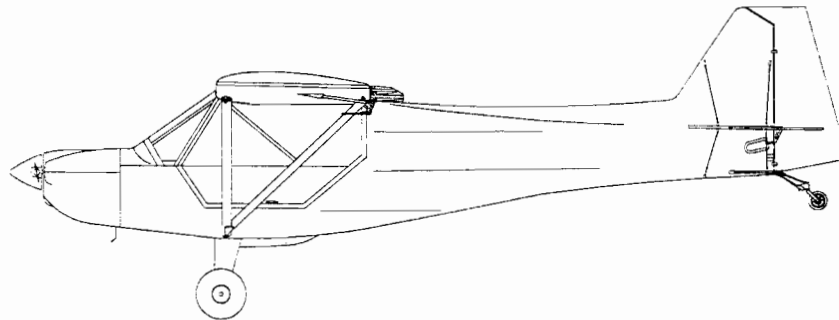


RANS S-7 COURIER

PARTS MANUAL

SECTION 003 - ENGINE - 912

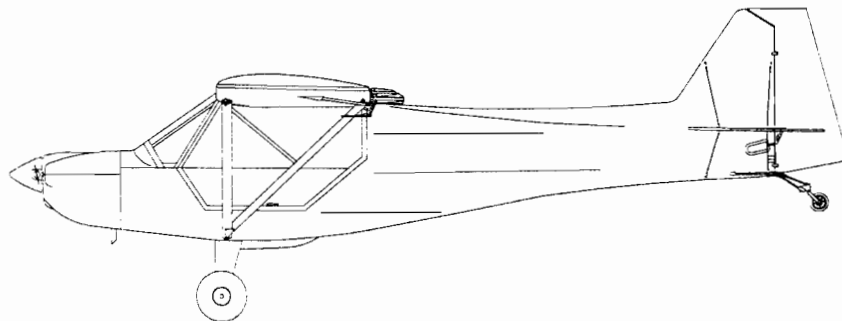
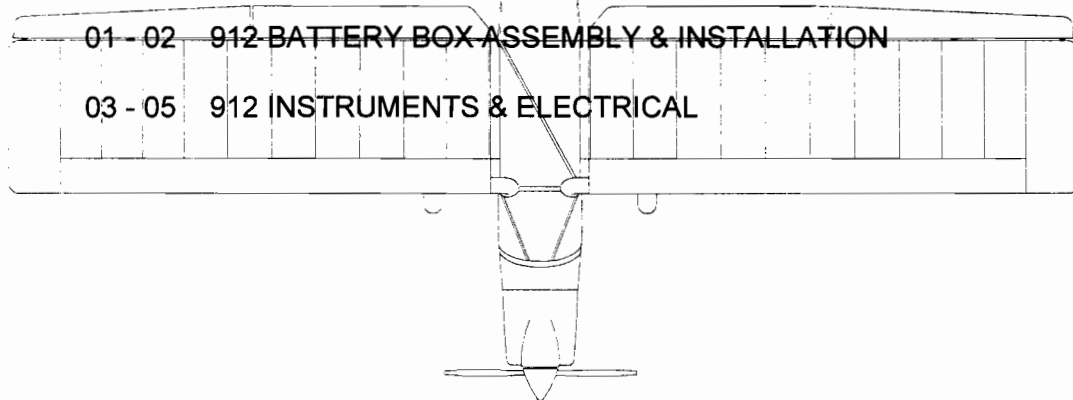
01 - 02	912 ENGINE MOUNT ASSEMBLY & INSTALLATION
03 - 04	912 ENGINE
05 - 06	912 FUEL SYSTEM - PART 1
07 - 08	912 FUEL SYSTEM - PART 2
09 - 10	912 THROTTLE HOOKUP - CARBURETOR SIDE
11 - 12	912 CHOKE SYSTEM
13 - 14	912 OIL COOLER ASSEMBLY & INSTALLATION
15 - 16	912 COOLING SYSTEM ASSEMBLY & INSTALLATION
17 - 18	912 MUFFLER ASSEMBLY & INSTALLATION



RANS S-7 COURIER

PARTS MANUAL

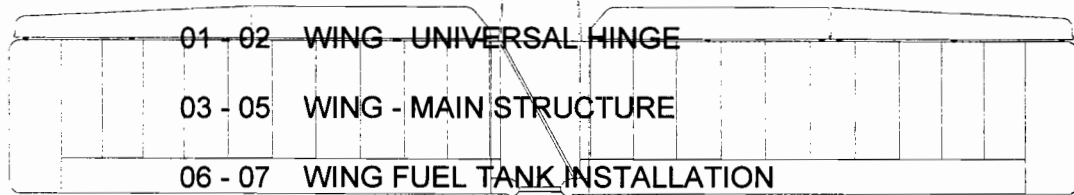
SECTION 004 - INSTRUMENTS & ELECTRICAL, 912/912S



RANS S-7 COURIER

PARTS MANUAL

SECTION 005 - WINGS



08 - 09 WING BELLCRANK SYSTEM

10 - 11 WING RIB ASSEMBLY & JIG

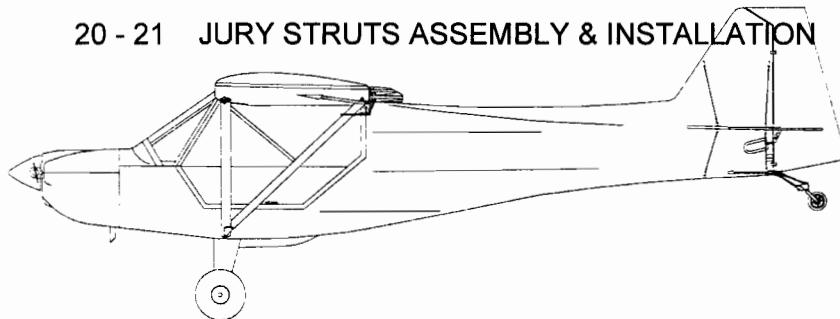
12 - 13 WING RIBS & SHEET METAL

14 - 15 FLAP FRAME ASSEMBLY

16 - 17 AILERON FRAME & SPADE ASSEMBLY

18 - 19 LIFT STRUTS ASSEMBLY & INSTALLATION

20 - 21 JURY STRUTS ASSEMBLY & INSTALLATION



RAMS S-7 COURIER

PARTS MANUAL

SECTION 006 - EXTERNAL ASSEMBLIES



01 - 02 DECK & INSTRUMENT PANEL INSTALLATION

03 - 04 WINDSHIELD ASSEMBLY & INSTALLATION

05 - 06 DOOR ASSEMBLY, LEXAN & TRIM

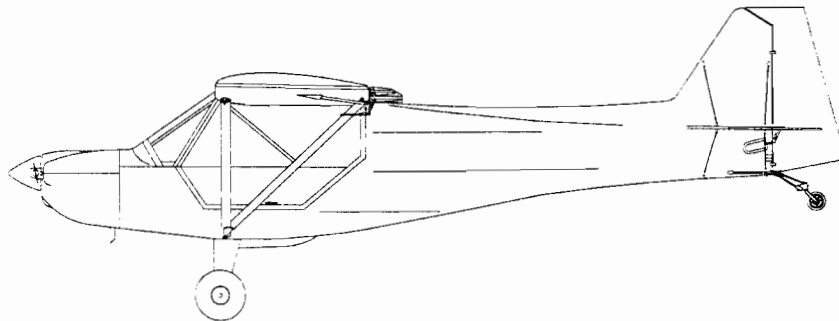
07 - 08 DOOR ASSEMBLY & INSTALLATION, LATCH MECHANISM

09 - 10 12" SPINNER ASSEMBLY

11 - 12 912/912S PROP ASSEMBLY

13 - 14 COWLING ASSEMBLY & INSTALLATION

15 - 16 OIL CHECK DOOR INSTALLATION

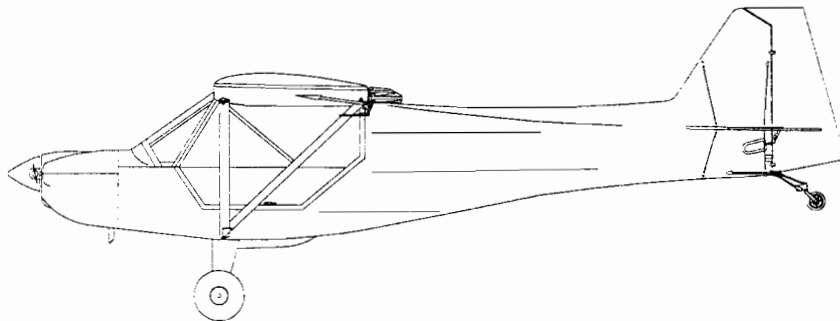
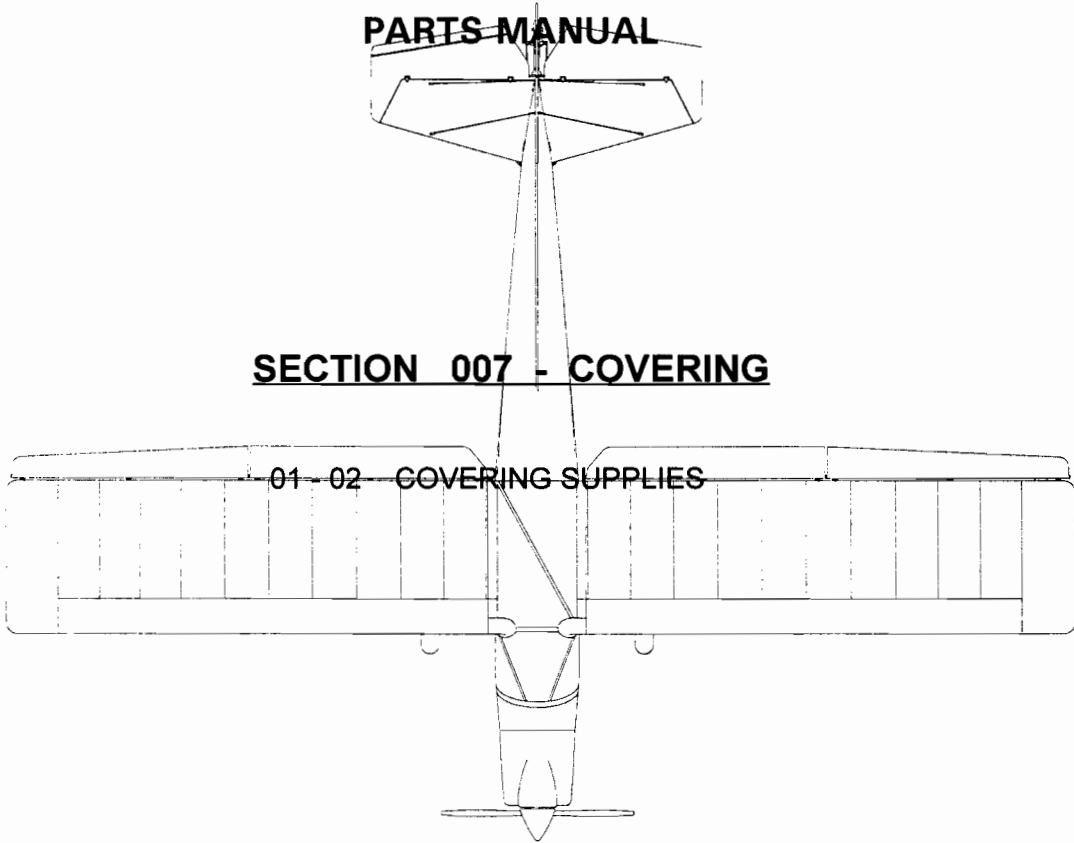


RANS S-7 COURIER

PARTS MANUAL

SECTION 007 - COVERING

01-02 COVERING SUPPLIES



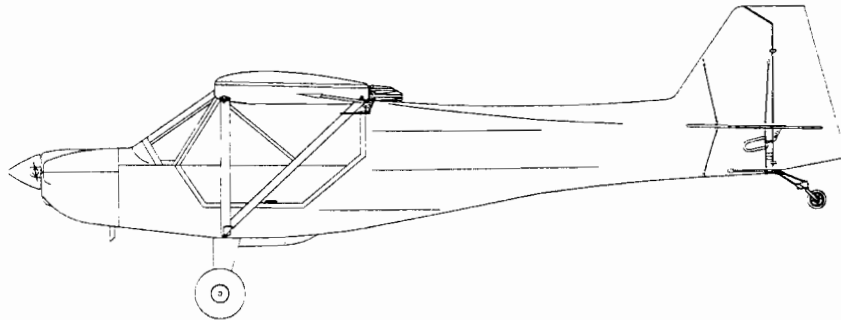
MD3785

RANS S-7 COURIER

PARTS MANUAL

SECTION 008 - INTERNAL ASSEMBLIES

01 - 02	BAGGAGE COMPARTMENT ASSEMBLY & INSTALLATION
03 - 04	SEAT FRAMES & UPHOLSTERY
05 - 06	SEAT BELT ASSEMBLY & INSTALLATION



RANS S-7 COURIER

PARTS MANUAL

SECTION 009 - OPTIONS

01 - 02 OPTIONAL RIVETING METHOD (REPLACING RIB STITCHING)

03 - 04 OPTIONAL JURY STRUT FAIRINGS

05 - 06 OPTIONAL 912 WARP DRIVE PROP ASSEMBLY

07 - 08 OPTIONAL 912 MUFFLER HEATER ASSEMBLY

09 - 10 OPTIONAL WHELEN STROBE INSTALLATION

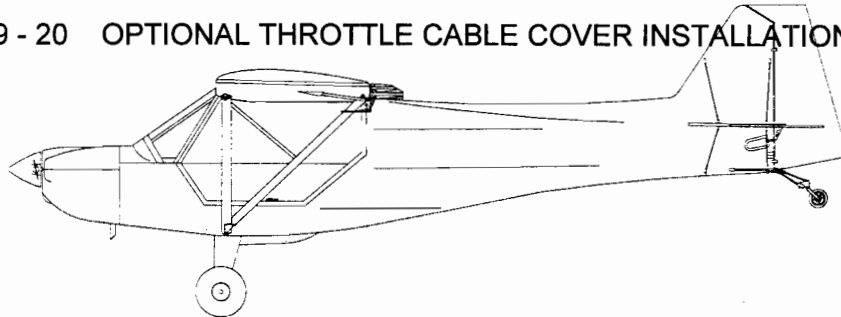
11 - 12 OPTIONAL BUBBLE LEXAN (DOOR ASSEMBLY)

13 - 14 OPTIONAL RUDDER CABLE GUARD

15 - 16 OPTIONAL AFT CONTROL STICK COVER

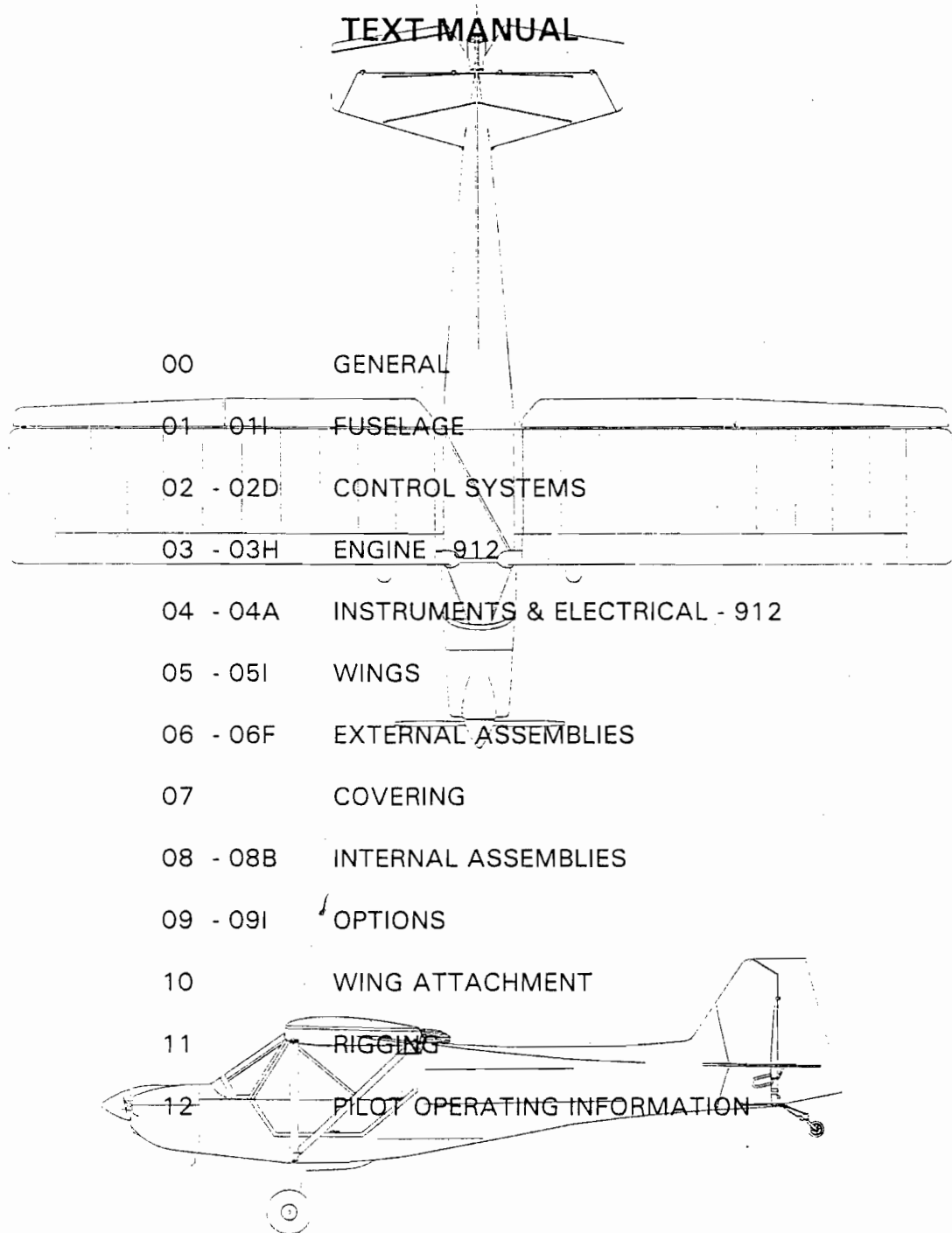
17 - 18 OPTIONAL STATION 3 CLOSE OUT INSTALLATION

19 - 20 OPTIONAL THROTTLE CABLE COVER INSTALLATION



RANS S-7 COURIER

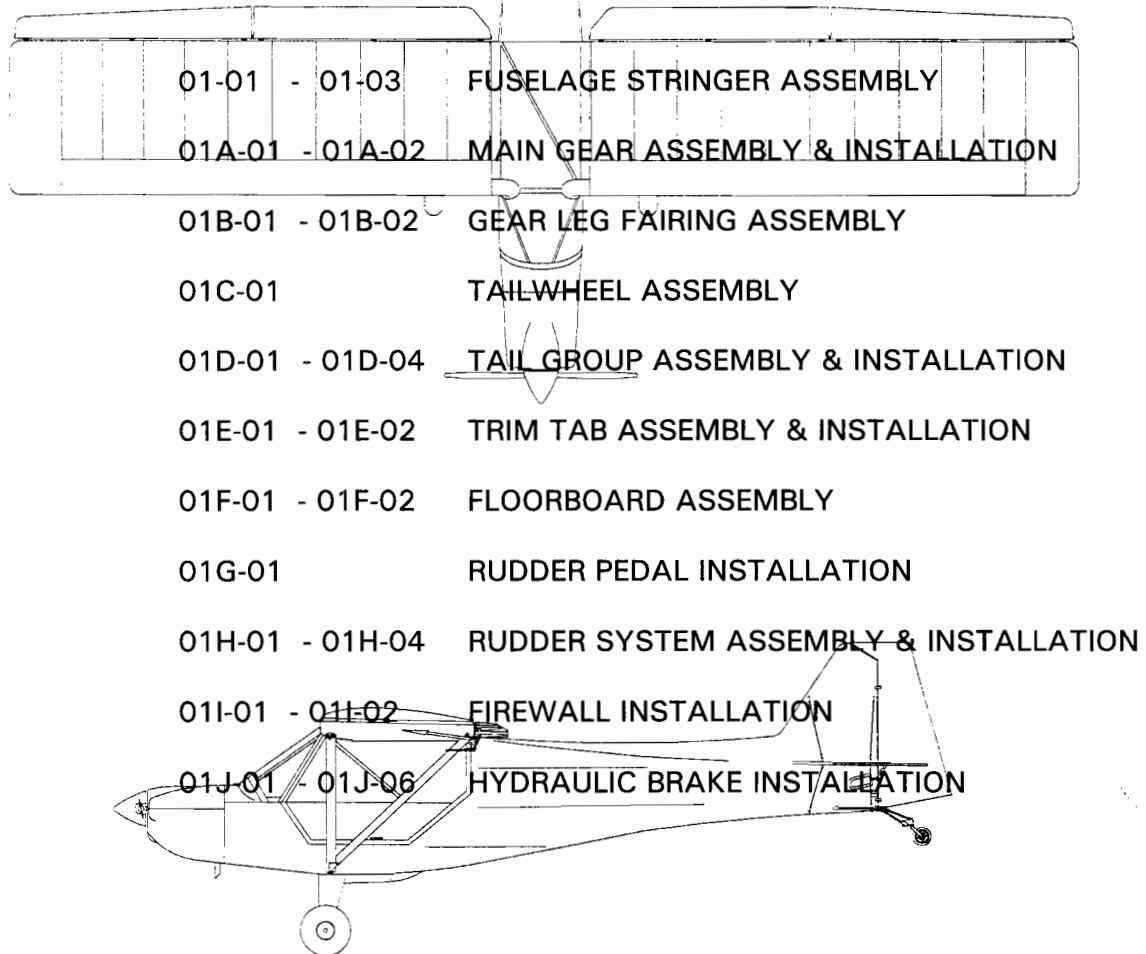
~~TEXT MANUAL~~



RANS S-7 COURIER

TEXT MANUAL

SECTION 01 - FUSELAGE

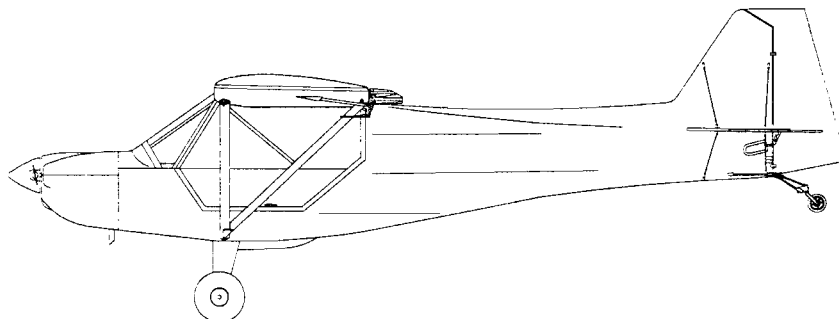


RANS S-7 COURIER

TEXT MANUAL

SECTION 02 - CONTROL SYSTEMS

02-01 - 02-03	CONTROL STICK ASSEMBLY
02A-01 - 02A-02	ELEVATOR PUSH PULL TUBE ASS'Y & INSTALLATION
02B-01 - 02B-04	AILERON CABLE SYSTEM
02C-01	FLAP HANDLE INSTALLATION
02D-01 - 02D-02	THROTTLE INSTALLATION



RANS S-7 COURIER

TEXT MANUAL

SECTION 03 - ENGINE - 912

03-01 - 03-02	912 ENGINE MOUNT ASSEMBLY & INSTALLATION
03A-01	912 ENGINE

03B-01 - 03B-04 912 FUEL SYSTEM - PART 1

03C-01 - 03C-02 912 FUEL SYSTEM - PART 2

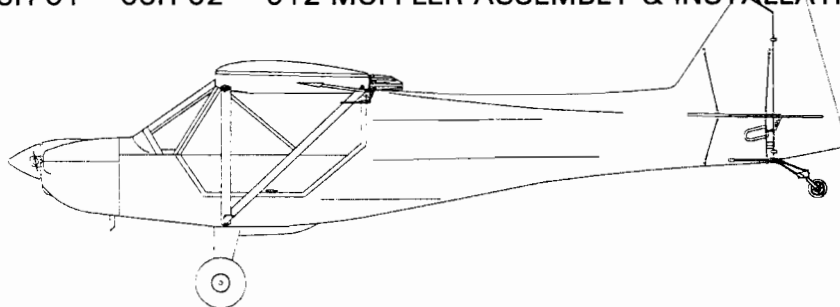
03D-01 - 03D-02 912 THROTTLE HOOKUP - CARBURETOR SIDE

03E-01 - 03E-02 912 CHOKE SYSTEM

03F-01 - 03F-03 912 OIL COOLER ASSEMBLY & INSTALLATION

03G-01 - 03G-05 912 COOLING SYSTEM ASSEMBLY & INSTALLATION

03H-01 - 03H-02 912 MUFFLER ASSEMBLY & INSTALLATION

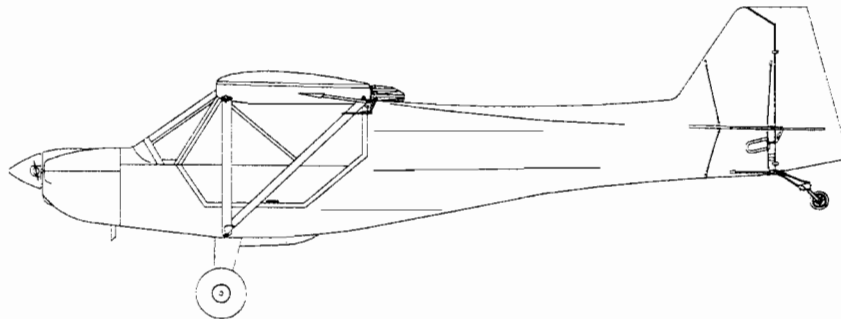


RANS S-7 COURIER

TEXT MANUAL

SECTION 04 - INSTRUMENTS & ELECTRICAL - 912

04-01 - 04-02	912 BATTERY BOX ASSEMBLY & INSTALLATION
04A-01	912 INSTRUMENTS & ELECTRICAL



RANS S-7 COURIER

TEXT MANUAL

SECTION 05 - WINGS

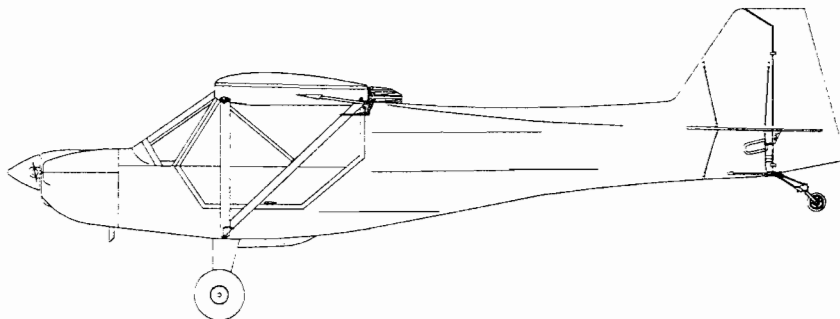
05-01	UNIVERSAL HINGE ASSEMBLY
05A-01 - 05A-08	WING - MAIN STRUCTURE ASSEMBLY
05B-01 - 05B-02	WING - FUEL TANK INSTALLATION
05C-01 - 05C-03	WING - BELLCRANK ASSEMBLY
05D-01 - 05D-05	WING RIB ASSEMBLY & INSTALLATION
05E-01 - 05E-07	WING - SHEET METAL INSTALLATION
05F-01 - 05F-02	PITOT/STATIC AND FLAP TELEFLEX INSTALLATION
05G-01 - 05G-06	AILERON & FLAP FRAME ASSEMBLY
05H-01 - 05H-05	STD ADJUSTABLE LIFT STRUT KIT
05I-01 - 05I-02	JURY STRUT ASSEMBLY & INSTALLATION

RANS S-7 COURIER

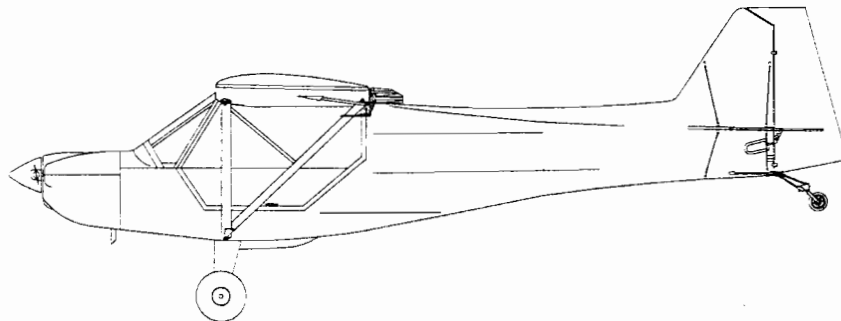
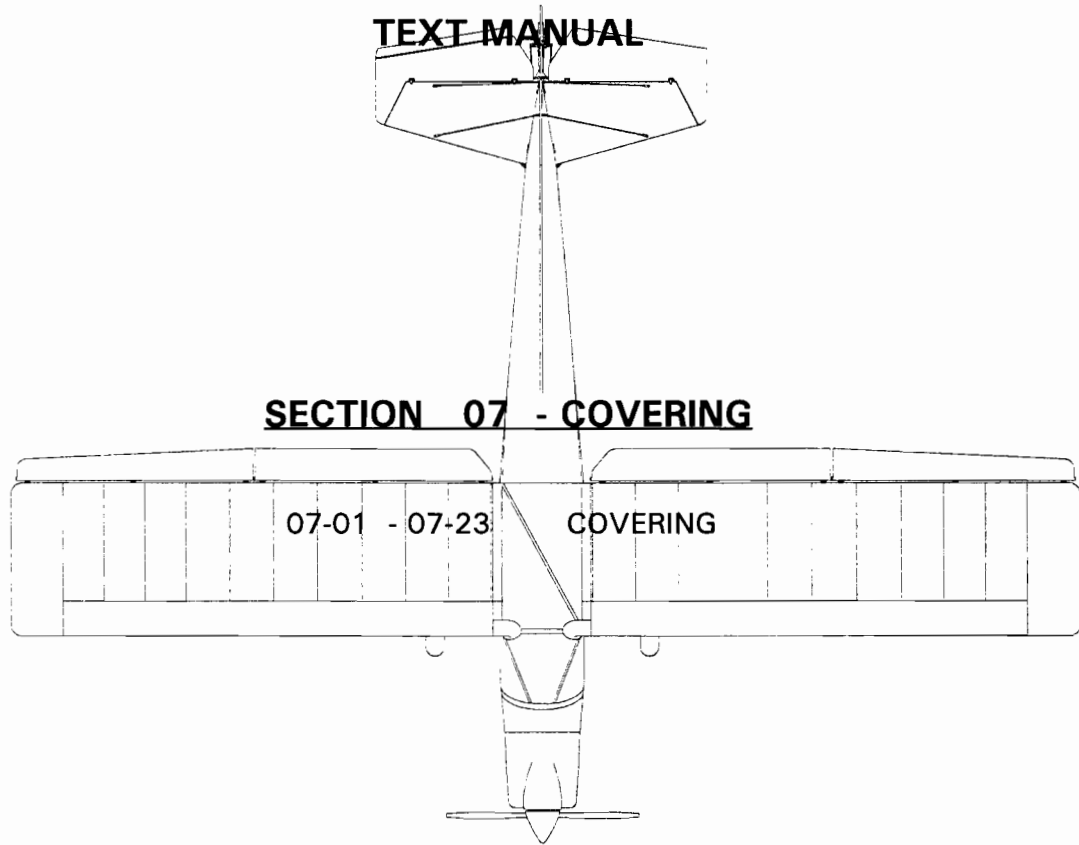
TEXT MANUAL

SECTION 06 - EXTERNAL ASSEMBLIES

06-01	- 06-03	DECK & INSTRUMENT PANEL INSTALLATION
06A-01	- 06A-010	WINDSHIELD ASSEMBLY & INSTALLATION
06B-01	- 06B-08	DOOR ASSEMBLY - LEXAN & TRIM
06C-01	- 06C-02	DOOR ASSEMBLY & INSTALLATION - LATCH MECHANISM
06D-01	- 06D-04	SPINNER ASSEMBLY
06E-01	- 06E-03	912/912S PROP INSTALLATION
06F-01	- 06F-06	COWLING ASSEMBLY & INSTALLATION



RANS S-7 COURIER

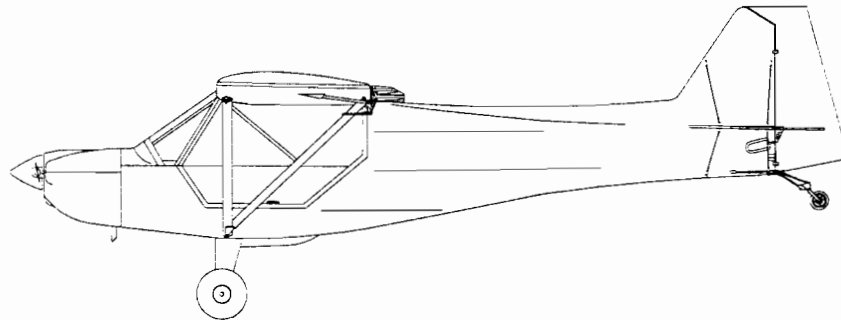


RANS S-7 COURIER

TEXT MANUAL

SECTION 08 - INTERNAL ASSEMBLIES

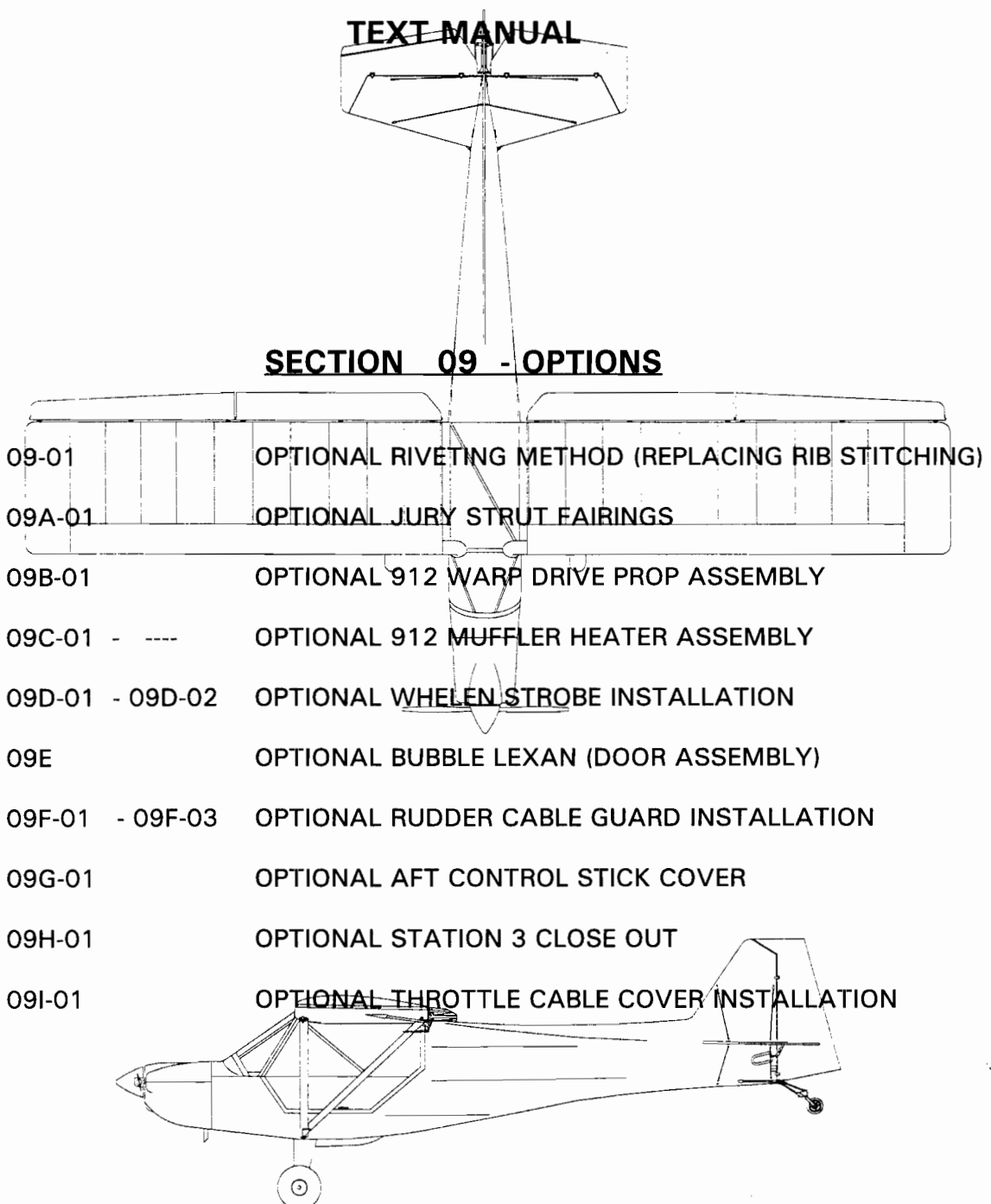
08-01 - 08-03	BAGGAGE COMPARTMENT ASSEMBLY & INSTALLATION
08A-01 - 08A-04	SEAT FRAMES & UPHOLSTERY
08B-01	SEAT BELT ASSEMBLY & INSTALLATION



RANS S-7 COURIER

TEXT MANUAL

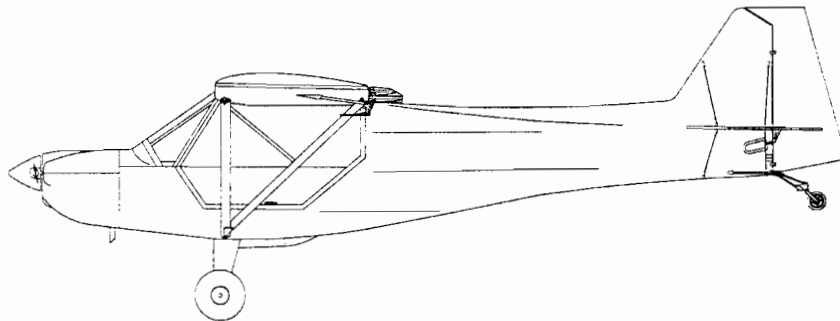
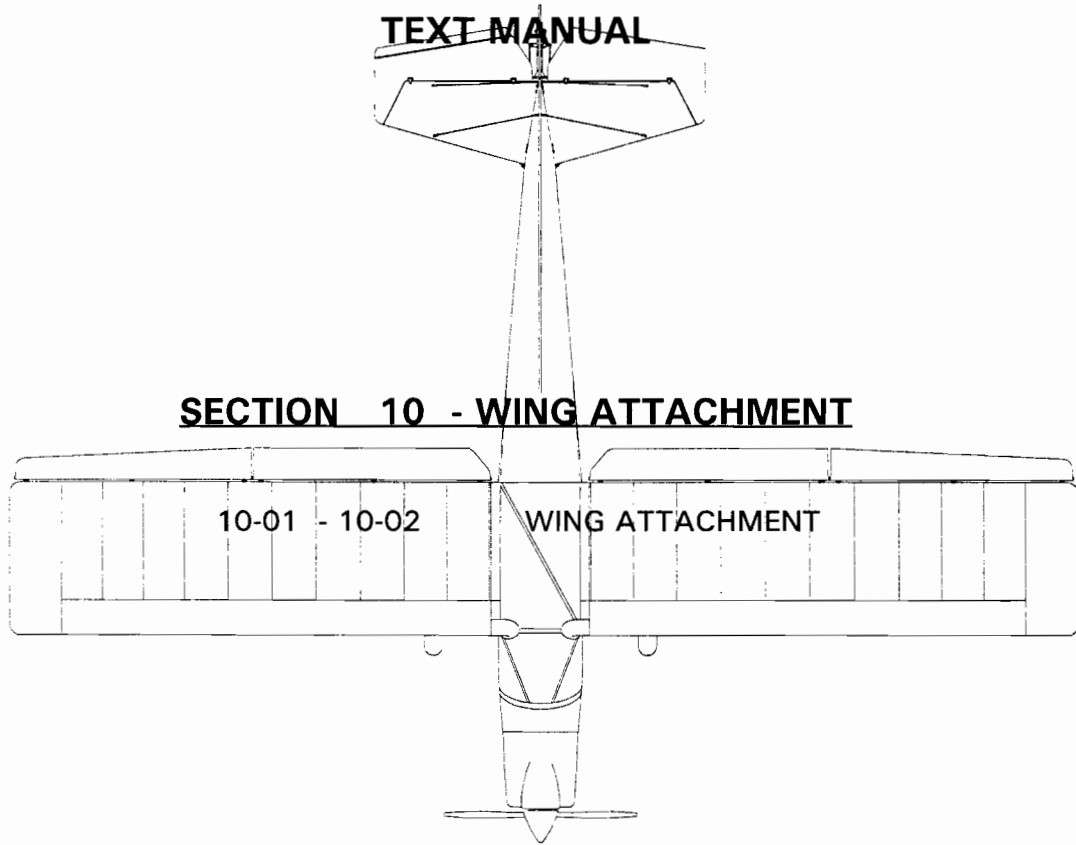
SECTION 09 - OPTIONS

- 
- 09-01 OPTIONAL RIVETING METHOD (REPLACING RIB STITCHING)
 - 09A-01 OPTIONAL JURY STRUT FAIRINGS
 - 09B-01 OPTIONAL 912 WARP DRIVE PROP ASSEMBLY
 - 09C-01 - ---- OPTIONAL 912 MUFFLER HEATER ASSEMBLY
 - 09D-01 - 09D-02 OPTIONAL WHELEN STROBE INSTALLATION
 - 09E OPTIONAL BUBBLE LEXAN (DOOR ASSEMBLY)
 - 09F-01 - 09F-03 OPTIONAL RUDDER CABLE GUARD INSTALLATION
 - 09G-01 OPTIONAL AFT CONTROL STICK COVER
 - 09H-01 OPTIONAL STATION 3 CLOSE OUT
 - 09I-01 OPTIONAL THROTTLE CABLE COVER INSTALLATION

RANS S-7 COURIER

TEXT MANUAL

SECTION 10 - WING ATTACHMENT

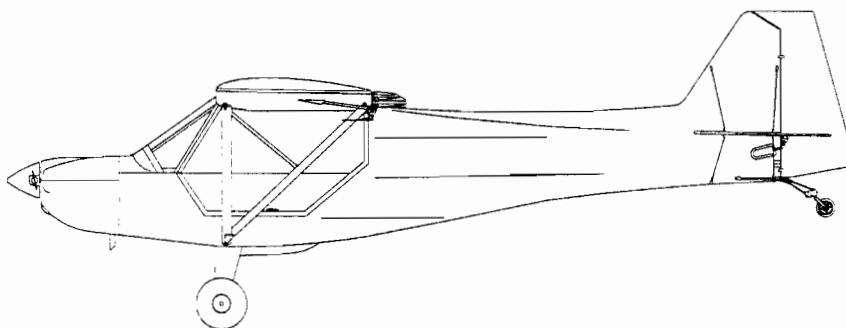
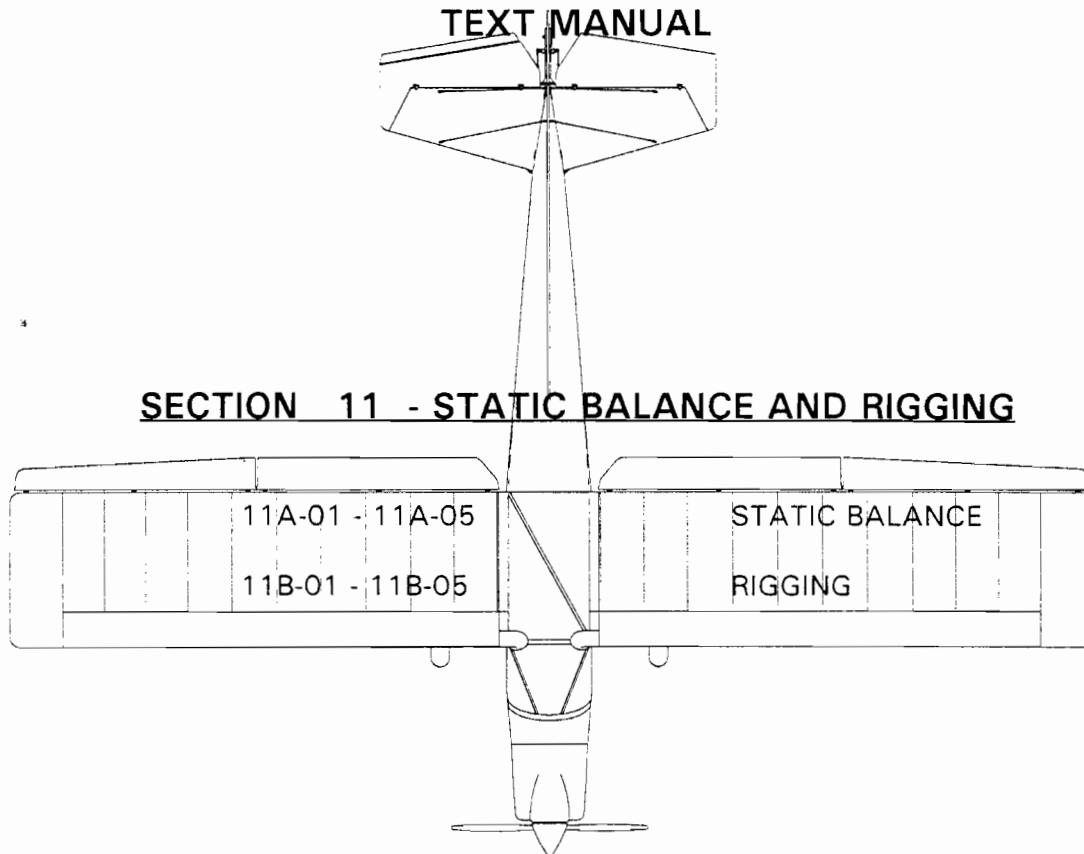


MO3785

RANS S-7 COURIER

TEXT MANUAL

SECTION 11 - STATIC BALANCE AND RIGGING



RANS S-7 COURIER

TEXT MANUAL

SECTION 12 - PILOT OPERATING INFORMATION

